

THOMAS
ENGINEERING GROUP

CIVIL ENGINEERS - PROJECT MANAGERS - LAND PLANNING - LANDSCAPE ARCHITECTS

125 W. INDIANTOWN RD.
SUITE 206
FORT LAUDERDALE, FL 33309
P: 813-202-7000
F: 813-202-7000

REVISIONS:

REV.	DATE	COMMENT	BY
1	03/07/18	ISSUED 75% RESUBMITTAL	MAT
2	09/25/18	ISSUED 75% RESUBMITTAL	MAT
3	11/06/18	RESPONSE TO 75% COMMENTS	MAT
4	01/04/19	ADDRESS TRAFFIC ENG. CONDITIONS	MAT

811 KNOW WHAT'S BELOW ALWAYS CALL 811 BEFORE YOU DIG
It's fast. It's free. It's the law.
www.callsunshine.com

100% PLANS SUBMITTAL

PROJECT No: F150057
DRAWN BY: JFV
CHECKED BY: MAT
DATE: 09/11/2019
CAD I.D.: F150057-CANOPY PLAN

PROJECT:
CUMBERLAND FARMS
SUNRISE BLVD. & NE 4TH AVENUE

FOR
CUMBERLAND FARMS

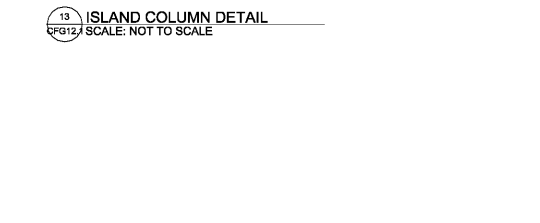
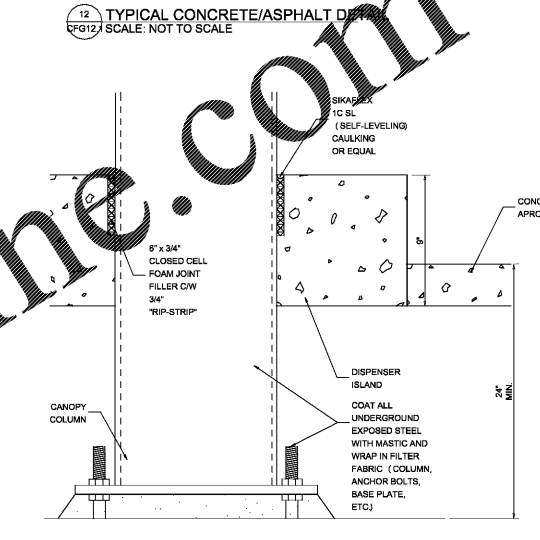
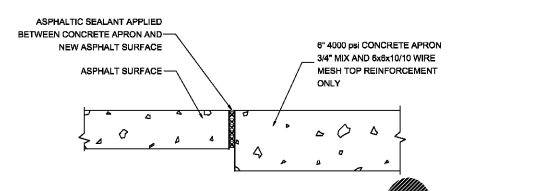
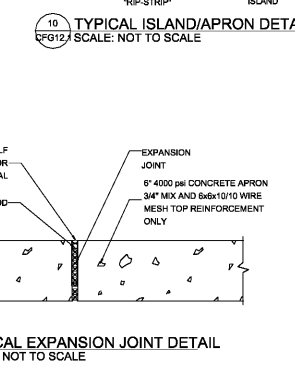
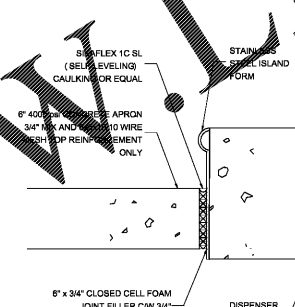
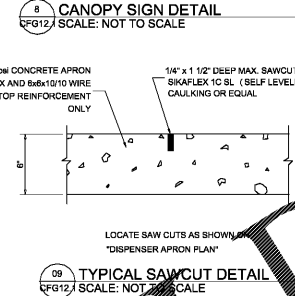
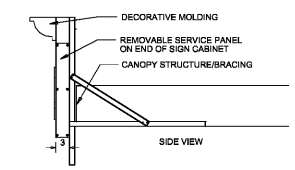
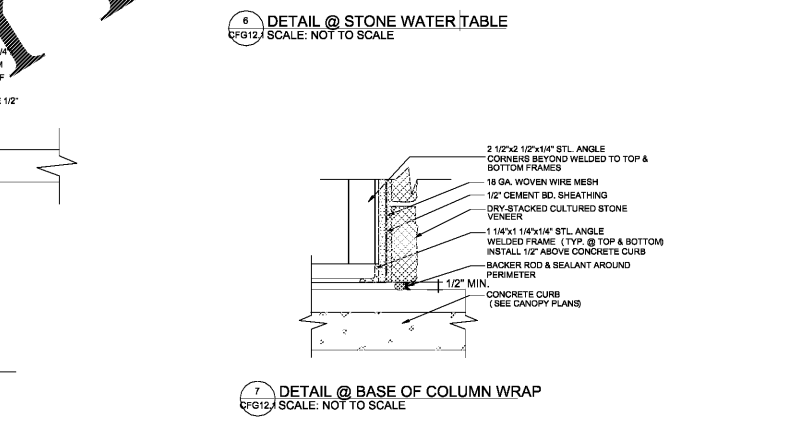
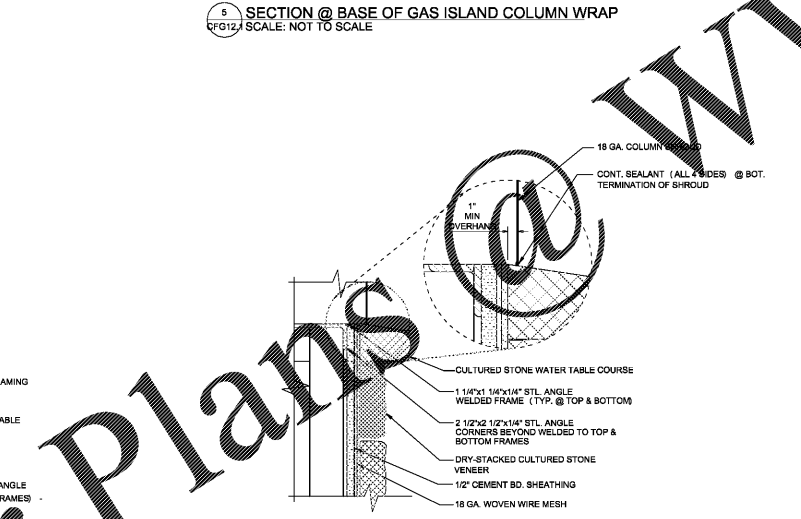
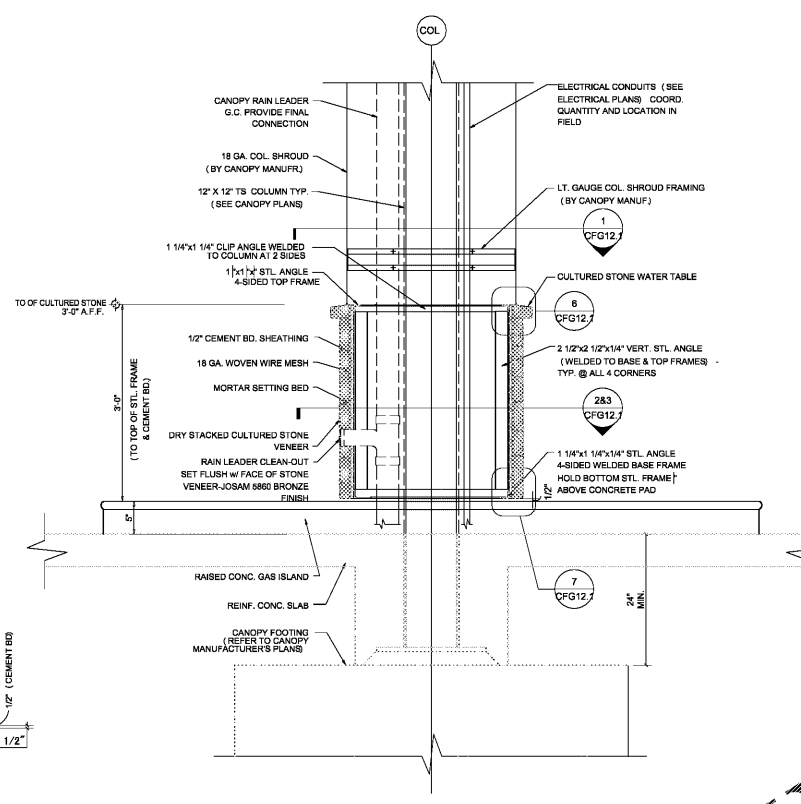
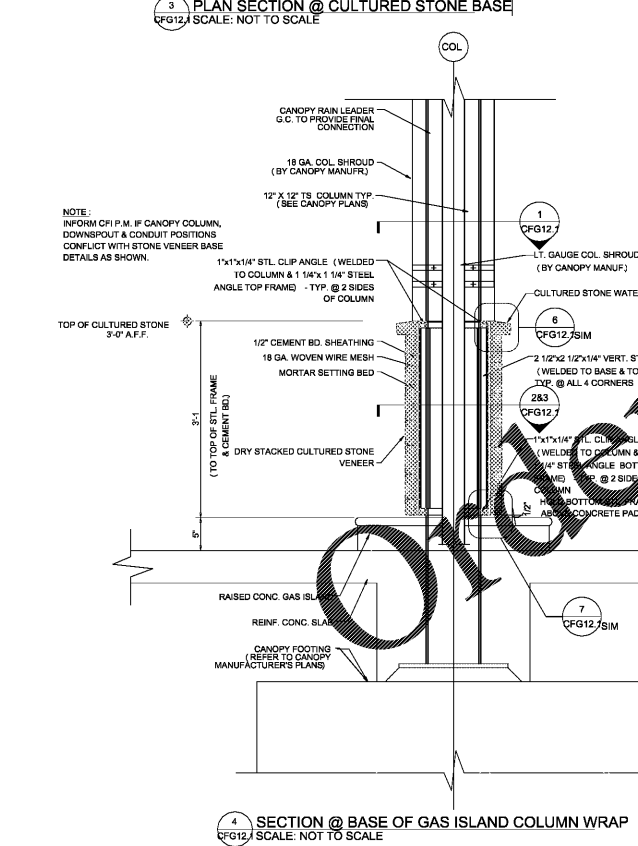
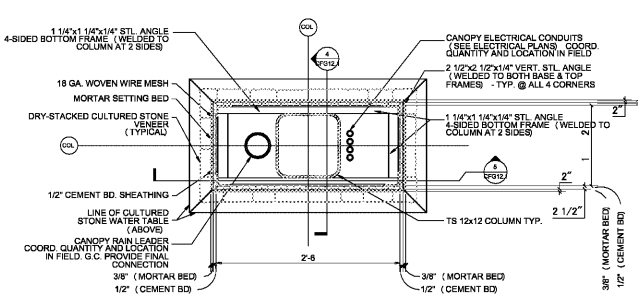
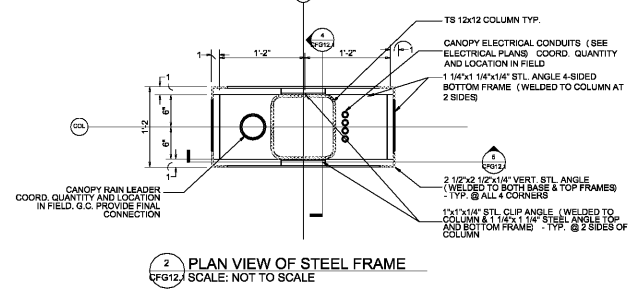
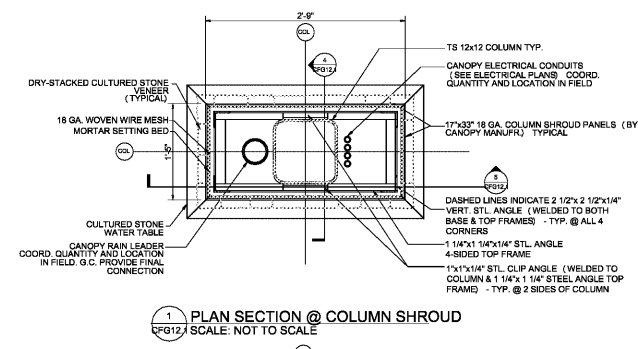
THOMAS
ENGINEERING GROUP

8300 NW 31ST AVENUE
FORT LAUDERDALE, FL 33309
PH: (954) 202-7000
FX: (954) 202-7070
www.ThomasEngineeringGroup.com

MICHAEL A. TROXELL
PROFESSIONAL ENGINEER
September 11, 2019
FLORIDA LICENSE No. 50572
FLORIDA BUSINESS CERT. OF AUTH. No. 27528

SHEET TITLE:
CANOPY DETAILS

SHEET NUMBER:
CFG12.1



Printed on Wednesday, September 11, 2019, 4:32 PM by J. Max McGinnis
 C:\PROJECTS\2019\CUMBERLAND FARMS\CANOPY DETAILS\CANOPY DETAILS.dwg
 USER: JMAXMCGINNIS PLOT: 1/8"=1'-0" PLOT SCALE: 1/8"=1'-0" PLOT DATE: 09/11/2019 PLOT TIME: 4:32 PM

Order Plans @ www.WJLDIline.com