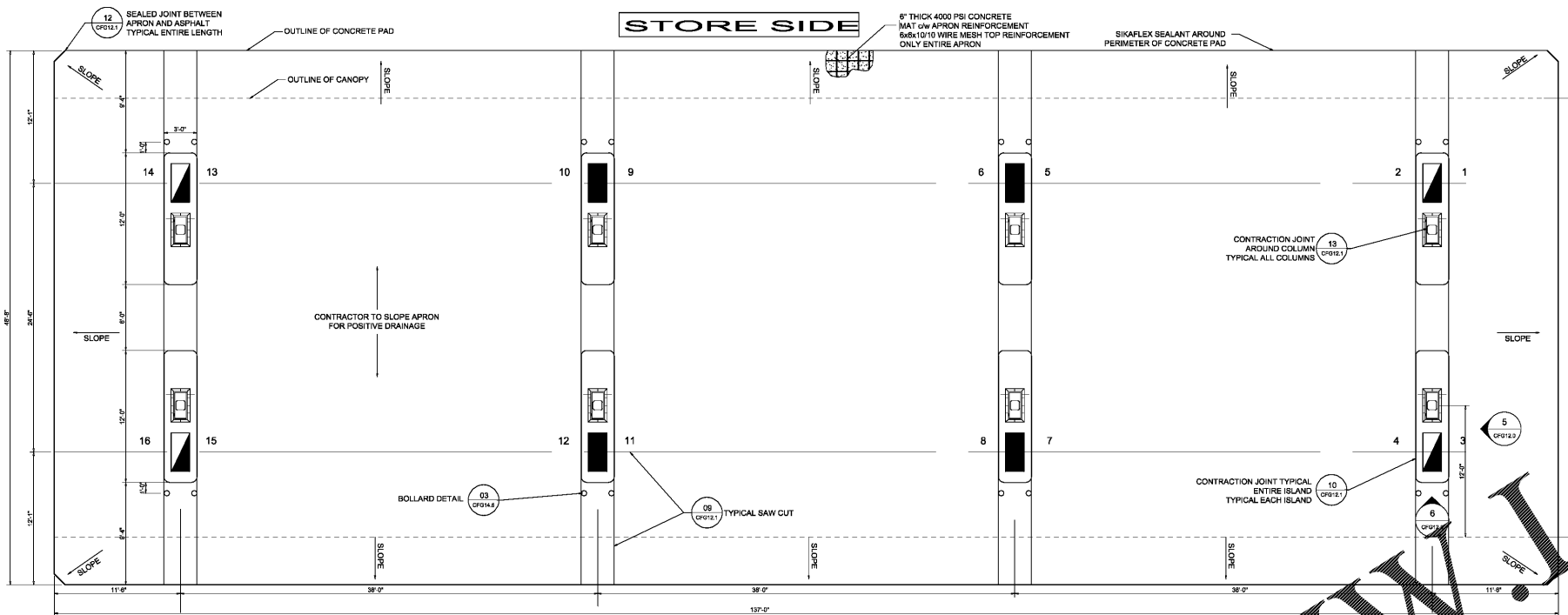


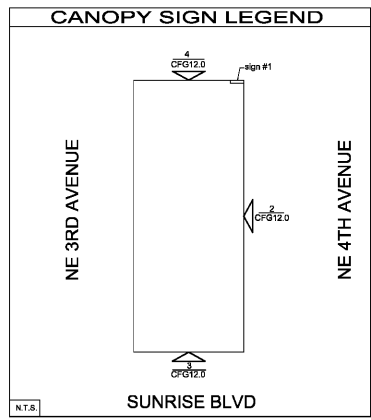
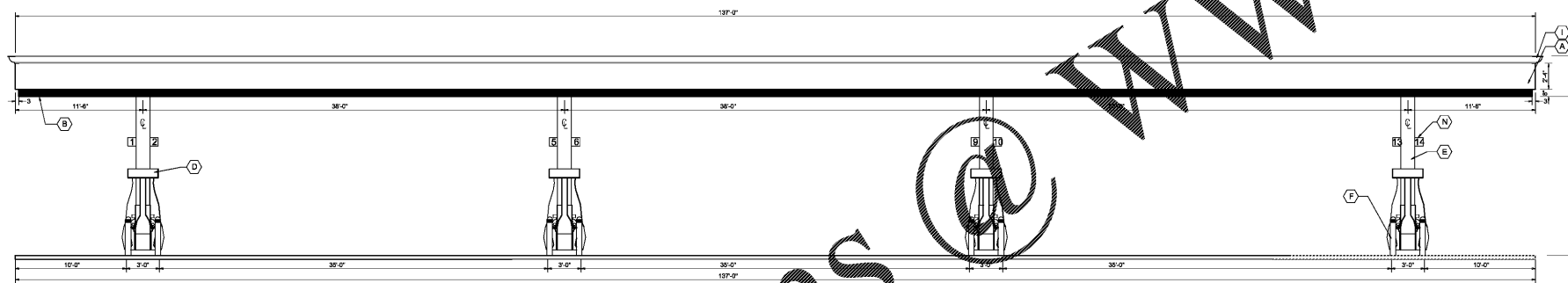
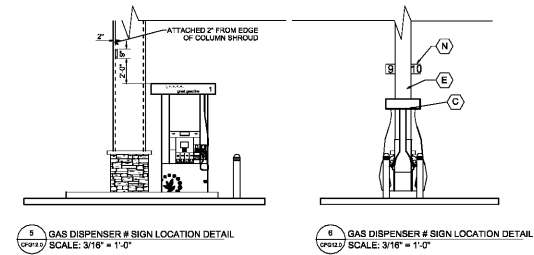
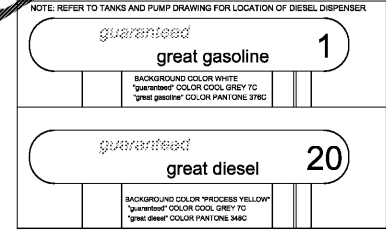
THOMAS
ENGINEERS - PROJECT MANAGERS - LAND PLANNING - LANDSCAPE ARCHITECTS

125 W. INDIANTOWN RD.
SUITE 206
FORT LAUDERDALE, FL 33309
P: 954-202-7000
F: 954-202-7000

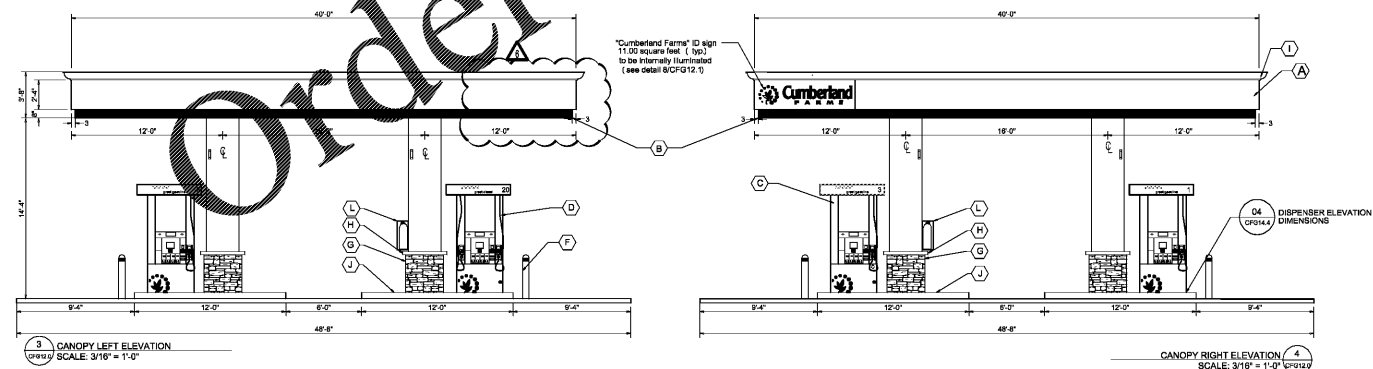
MARK	DESCRIPTION	MANUFACTURER	MODEL	COLOR	QUANTITY	REMARKS
A	CANOPY FASCIA	ALCOA	ACM: RYNBOND	SHELL WHITE	PER PLAN	BY CANOPY MFR.
B	CANOPY STRIPING	ALCOA	ACM: RYNBOND	OUTRAGEOUS GREEN	PER PLAN	8" ACM, BY CANOPY MFR.
C	MULTI-PRODUCT DISPENSER	WAYNE	OVATION B12		PER PLAN	SUPPLIED BY KENNEDY
D	3+1 DIESEL DISPENSER	WAYNE	OVATION B23		PER PLAN	SUPPLIED BY KENNEDY
E	CANOPY COLUMN SHROUDS			SHELL WHITE	5	33" SHROUDS
F	BOLLARDS	UNIVERSAL	6" OD X 42"H	SHELL WHITE	PER PLAN	ALL BOLLARDS WITH PVC SLEEVE
G	CULTURED STONE VENEER	OWENS CORNING	CSV-2028	ECHO RIDGE	PER PLAN	BY CUMBERLAND FARMS
H	CULTURED STONE CAPS	OWENS CORNING	CSV-2028	ECHO RIDGE	PER PLAN	BY CUMBERLAND FARMS
I	DECORATIVE MOULDING	CANOPY MANUFACTURER		SHELL WHITE	PER PLAN	BY CANOPY MFR.
J	DISPENSER ISLAND FORM	RIVERSIDE STEEL		STAINLESS STEEL	PER PLAN	PROVIDED BY CR.
L	HAND OPERATED 40BC FIRE EXTINGUISHER	LARSON			PER PLAN	ALL CABINETS IN COLUMN
M	STANDING SEAM METAL ROOF				PER PLAN	FACING STONE SIDE
MZ	CANOPY ROOFING	ENGLERT, INC	SERIES 1500	15-14" SPACING	PER PLAN	BY CANOPY MFR.
N	DISPENSER NUMBERING SIGN			WHITE	10	TO BE APPLIED IN THE FIELD BY GC



DISPENSER VALANCE GRAPHICS



- NOTES:**
- COORDINATE APRON ELEVATIONS WITH CIVIL DRAWINGS AND FIELD ELEVATIONS.
 - DISPENSER SUMPS TO BE SET IN PLACE AND USED AS A FORM TO POUR CONCRETE AROUND.
 - CONCRETE SPECIFICATIONS - SOIL BEARING CAPACITY REQD. AS PER GEOTECHNICAL REPORT - CONC. STRENGTH: 4000psi @ 28 DAYS 3% TO 7% AIR, TROWELLED SMOOTH FINISH WITH TWO COATS SEALING/CURING COMPOUND. -CANOPY FOOTING CONC. STRENGTH: REFER TO DRAWINGS PROVIDED BY MANUFACTURER
 - ALL EQUIPMENT INSTALLATIONS MUST COMPLY WITH MANUFACTURER'S SPECIFICATIONS.
 - ALL EQUIPMENT AND CONSTRUCTION ARE NEW AND FACILITY IS TO BE ATTENDED SELF-SERVICE.
 - REFER TO CANOPY MANUFACTURERS DRAWINGS FOR SPECIFIC CANOPY FOOTING OPTIONS.
 - REFER TO CANOPY MANUFACTURERS DRAWINGS FOR ARCHITECTURAL DETAILS ON CANOPY AND COLUMNS.
 - SEE CIVIL PLANS FOR ORIENTATION ON SITE, AND FOR TRAFFIC FLOW
 - REFER TO CANOPY DETAIL SCHEDULE ON SHEET CFG12.1 FOR ADDITIONAL INFORMATION
 - GO TO COORDINATE THE SPECIFIC LOCATIONS OF THE APRON EXPANSION JOINTS BASED ON THE FINAL POSITIVE LIMITING BARRIER DESIGN. REFER TO THE FIRE SUPPRESSION PLAN FOR THE PLB LAYOUT.



Printed on Wednesday, October 03, 2019, 9:30 AM by Alex Kagan
 C:\PROJECTS\2019\CUMBERLAND FARMS\190828060\CANOPY\190828060-01.dwg - 190828060-01.dwg - 190828060-01.dwg - 190828060-01.dwg

Order Plans

WWW.LDIIline.com

REVISIONS:

REV.	DATE	COMMENT	BY
1	03/07/18	ISSUED 75% RESUBMITTAL	MAT
2	09/25/18	ISSUED 75% RESUBMITTAL	MAT
3	11/06/18	RESPONSE TO 75% COMMENTS	MAT
4	01/04/19	ADDRESS TRAFFIC ENG. CONDITIONS	MAT
6	10/09/19	REVISED SIGNS	MAT

811 KNOW WHAT'S BELOW ALWAYS CALL 811 BEFORE YOU DIG

It's fast. It's free. It's the law.

www.callsunshine.com

100% PLANS SUBMITTAL

PROJECT No: F150057
 DRAWN BY: JFV
 CHECKED BY: MAT
 DATE: 09/11/2019
 CAD I.D.: F150057-CANOPY PLAN

CUMBERLAND FARMS
 SUNRISE BLVD. &
 NE 4TH AVENUE

FOR
CUMBERLAND FARMS

THOMAS
ENGINEERS - PROJECT MANAGERS - LAND PLANNING - LANDSCAPE ARCHITECTS

8300 NW 31ST AVENUE
 FORT LAUDERDALE, FL 33309
 PH: (954) 202-7000
 FX: (954) 202-7070
 www.ThomasEngineeringGroup.com

MICHAEL A. TROXELL
 PROFESSIONAL ENGINEER
 October 9, 2019
 FLORIDA LICENSE No. 50572
 FLORIDA BUSINESS CERT. OF AUTH. No. 27528

SHEET TITLE:
CANOPY PLAN

SHEET NUMBER:
CFG12.0