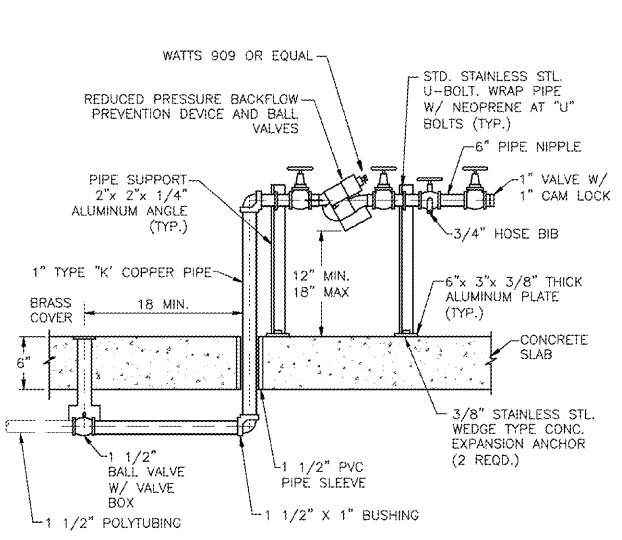
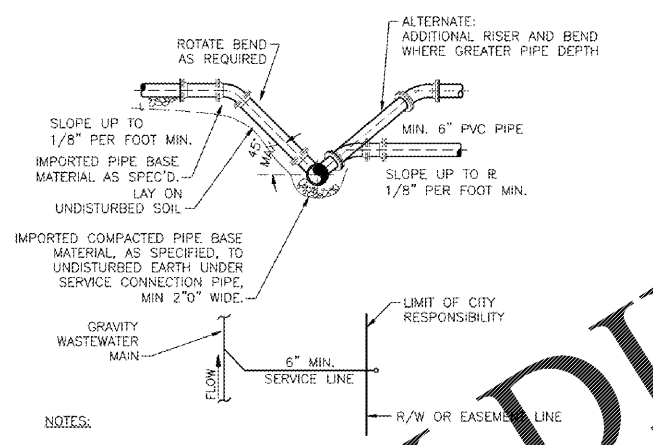
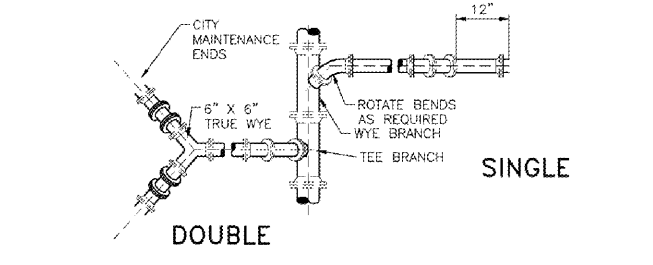


- NOTE:**
- GROUND KEY ANGLE METER STOP, CONDUCTIVE COMPRESSION FOR CTS O.D. TUBING, X METER FLANGE 180° TURN CHECK-LOCK WING "MUELLER" H-14277, FOR 2-INCH INCLUDING THE STAINLESS STEEL LINER, "MUELLER" 506141 (FOR 2-INCH) OR APPROVED EQUAL, AND MUELLER 110 COMPRESSION CONNECTION.
 - METER BOXES FOR 5/8, 3/4, AND 1 INCH METERS SHALL BE THE OKIE DOKIE #890-40-260282 MEDIUM BOX AND 890-40-260257 MEDIUM LID OR EQUAL.
 - CONNECT ANGLE VALVE TO EXISTING METER WHERE APPLICABLE.

TYPICAL WATER SERVICE INSTALLATION **300**

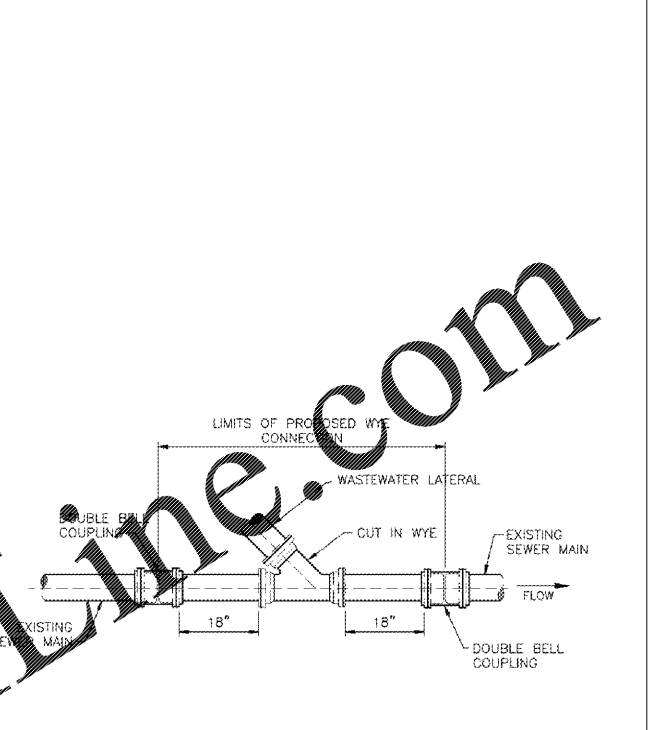


REDUCED PRESSURE BACKFLOW PREVENTER WITH HOSE CONNECTION FOR LIFT STATION **307**

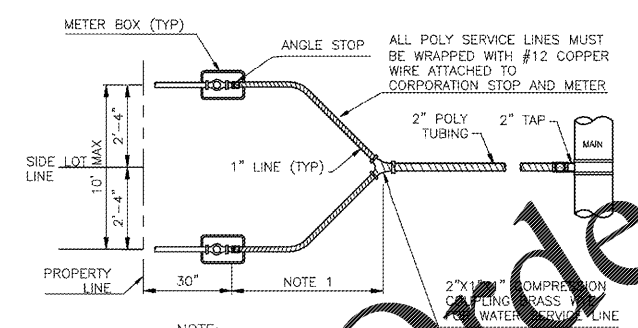
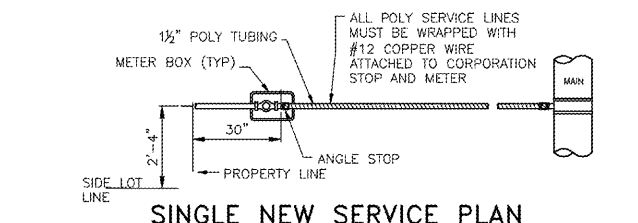


- NOTES:**
- WASTEWATER MAIN WYE BRANCH TO MATCH MAIN PIPE MATERIAL.
 - NO 90° BENDS SHALL BE USED FOR WASTEWATER SERVICE AND CLEANOUT INSTALLATIONS.
 - SERVICE LATERALS SHALL TERMINATE AT 2" INSIDE THE PROPERTY LINE AT A DEPTH OF 3 FEET EXCEPT WHERE A DEEPER DEPTH IS REQUIRED BY EXISTING BUILDING CONDITIONS.

TYPICAL WASTEWATER SERVICE CONNECTION **208**

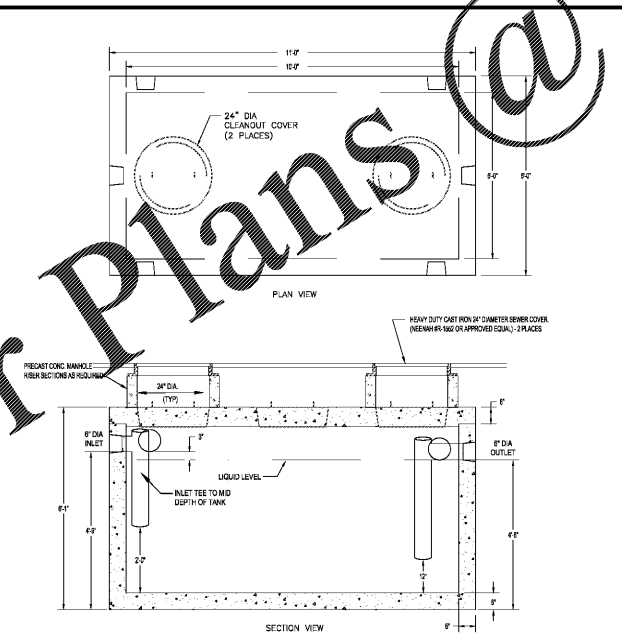


NEW LATERAL ON EXISTING GRAVITY WASTEWATER MAIN **210**



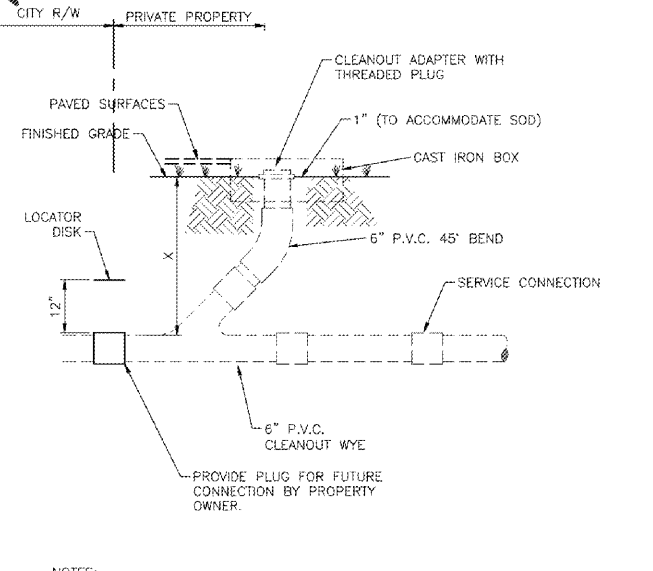
- NOTE:**
- KEEP 1/2" WYE AS CLOSE AS POSSIBLE TO METER BOX.

DOUBLE NEW SERVICE PLAN **301**



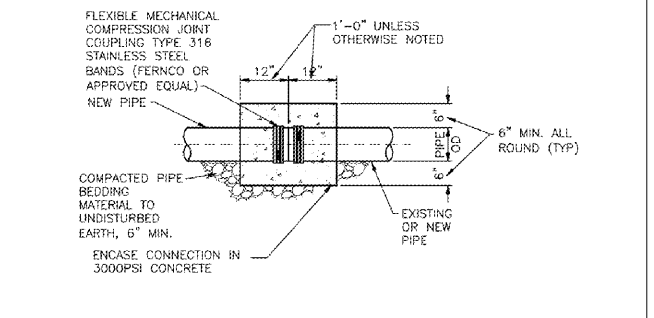
- NOTES:**
- CONCRETE: 5,000 PSI MINIMUM AFTER 28 DAYS.
 - PRIV. DESIGN OF GREASE TRAP TO MEET ALL LOCAL AND STATE REQUIREMENTS.
 - ALL REINFORCEMENT FOR ASTM C1927-93.
 - DESIGNED FOR H-20 LOADING.
 - TONGUE & GROOVE JOINT SEALED WITH BUTYL ROSSIN
 - TEES AND BAYLUS SOLD SEPARATELY.
 - GREASE TRAP AS MANUFACTURED BY SHEA CONCRETE PRODUCTS OR APPROVED EQUAL.
 - CONTRACTOR TO PROVIDE DESIGN ENGINEER SHOP DRAWINGS PRIOR TO CONSTRUCTION.

1,500 GALLON GREASE TRAP DETAIL **302**



- NOTES:**
- PROVIDE APPROVED PLUG OR JOINT FOR DISSIMILAR GRAVITY SEWER PIPE FOR SERVICE CONNECTION.
 - CLEAN-OUT ASSEMBLY SHALL BE INSTALLED BY PROPERTY OWNER.
 - X=3'0" MIN. OR 4'0" MAX. FOR RESIDENTIAL SERVICE UNLESS OTHERWISE SHOWN.

TYPICAL CLEANOUT INSTALLATION **209**



JOINT FOR DISSIMILAR GRAVITY SEWER PIPE **211**

WWW.DIline.com

THOMAS
ENGINEERS - PROJECT MANAGERS - LAND PLANNING - LANDSCAPE ARCHITECTS

105 W. INDIANTOWN RD.
SUITE 206
FORT LAUDERDALE, FL 33309
P: 954-202-7000
F: 954-202-7070
www.ThomasEngineeringGroup.com

REV.	DATE	COMMENT	BY
1	03/07/16	ISSUED 75% RESUBMITTAL	MAT
2	09/25/16	ISSUED 75% RESUBMITTAL	MAT
3	11/06/16	RESPONSE TO 75% COMMENTS	MAT
4	01/04/19	ADDRESS TRAFFIC ENG. CONDITIONS	MAT

811 KNOW WHAT'S BELOW ALWAYS CALL 811 BEFORE YOU DIG
It's free. It's fast. It's the law.
www.callsunshine.com

100% PLANS SUBMITTAL

PROJECT No.:	F150067
DRAWN BY:	JVF
CHECKED BY:	MAT
DATE:	09/11/2019
CAD I.D.:	F150067-UTILITY DETAILS

PROJECT:
CUMBERLAND FARMS
SUNRISE BLVD. & NE 4TH AVENUE

FOR
CUMBERLAND FARMS

THOMAS
ENGINEERING GROUP

8300 NW 31ST AVENUE
FORT LAUDERDALE, FL 33309
PH: (954) 202-7000
FX: (954) 202-7070
www.ThomasEngineeringGroup.com

MICHAEL A. TROXELL

PROFESSIONAL ENGINEER
September 11, 2019
FLORIDA LICENSE No. 50572
FLORIDA BUSINESS CERT. OF AUTH. No. 27528

SHEET TITLE:
UTILITY DETAILS

SHEET NUMBER:
CFG07.1

Printed on Wednesday, September 11, 2019, 4:30 PM by Max. All rights reserved. No part of this publication may be reproduced, stored in a retrieval system, or transmitted, in any form or by any means, electronic, mechanical, photocopying, recording, or by any information storage and retrieval system, without the prior written permission of the publisher.