

**THOMAS**  
ENGINEERS, ARCHITECTS & PLANNERS

CIVIL ENGINEERS - PROJECT MANAGERS - LAND PLANNING - LANDSCAPE ARCHITECTS

125 W. INDIANTOWN RD.  
SUITE 206  
FORT LAUDERDALE, FL 33309  
P: 954-379-1100  
F: 954-379-1100

REVISIONS:

REV.	DATE	COMMENT	BY:
1	03/07/18	ISSUED 75% RESUBMITTAL	MAT
2	09/25/18	ISSUED 75% RESUBMITTAL	MAT
3	11/06/18	RESPONSE TO 75% COMMENTS	MAT
4	01/04/19	ADDRESS TRAFFIC ENG. CONDITIONS	MAT
6	10/09/19	REVISED SIGNS	MAT

**811** KNOW WHAT'S BELOW BEFORE YOU DIG

www.callsunshine.com

100% PLANS SUBMITTAL

PROJECT No: F150057  
DRAWN BY: JVF  
CHECKED BY: MAT  
DATE: 09/11/2019  
CAD I.D.: F150057-PMIS

PROJECT:  
**CUMBERLAND FARMS**  
SUNRISE BLVD. & NE 4TH AVENUE

FOR  
**CUMBERLAND FARMS**

**THOMAS**  
ENGINEERS, ARCHITECTS & PLANNERS

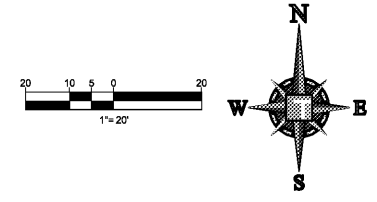
8300 NW 31ST AVENUE  
FORT LAUDERDALE, FL 33309  
PH: (954) 202-7000  
FX: (954) 202-7070  
www.ThomasEngineeringGroup.com

**MICHAEL A. TROXELL**

PROFESSIONAL ENGINEER  
October 9, 2019  
FLORIDA LICENSE No. 50572  
FLORIDA BUSINESS CERT. OF AUTH. No. 27528

SHEET TITLE:  
**PAVEMENT MARKING & SIGNAGE PLAN**

SHEET NUMBER:  
**CFG04.1**

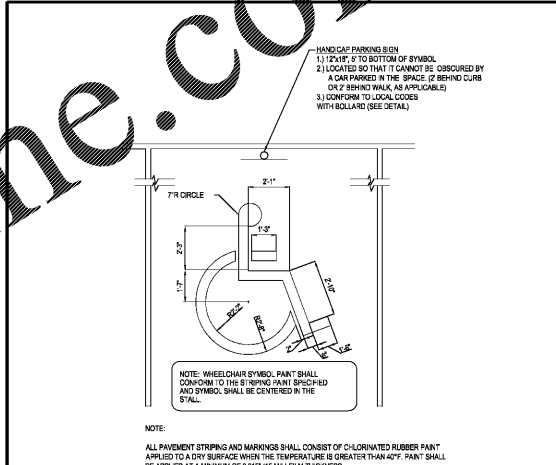


**LEGEND**

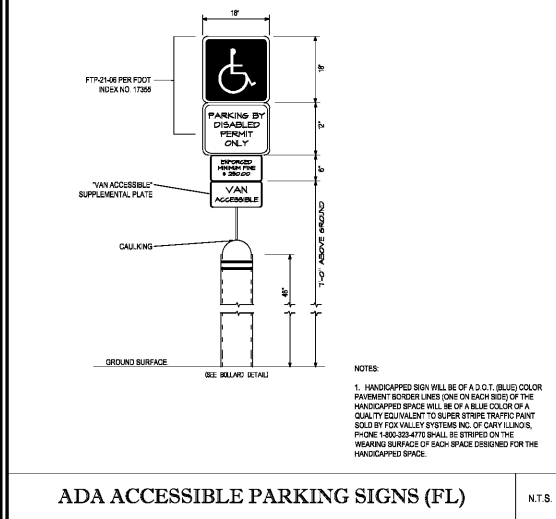
R1-1	STOP SIGN (30" x 30")
R3-R	RIGHT TURN ONLY
RS-1	DO NOT ENTER SIGN (30" x 30")
RS-1L	ONE WAY
RS-1R	ONE WAY
FTP 21-08	ACCESSIBLE PARKING
D.Y.	DOUBLE YELLOW
W	WHITE THERMOPLASTIC

**NOTE:**

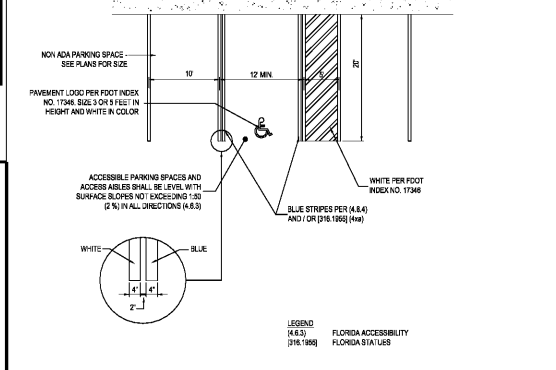
- 1) ALL STRIPING AND SIGNAGE SHALL MEET THE MUTCD, LATEST EDITION AND BCTD STANDARDS (LATEST EDITIONS)
- 2) ALL PAVEMENT MARKINGS AND SIGNAGE DAMAGED DURING CONSTRUCTION SHALL BE REMOVED BY WATER BLASTING OR SAND BLASTING PRIOR TO THE REAPPLICATION.



**ADA ACCESSIBLE PARKING STALL PAINTING DETAIL** N.T.S.



**ADA ACCESSIBLE PARKING SIGNS (FL)** N.T.S.



**STANDARD / ADA 90° PARKING SPACE DETAIL**  
SCALE: NONE



PAVEMENT MARKINGS AND SIGNAGE IN FOOT RIGHT-OF-WAY ARE NOT INCLUDED IN BROWARD COUNTY'S REVIEW AND APPROVAL OF THIS PLAN.

ALL SIGNS MUST MEET MUTCD, BCTD, AND CITY STANDARDS. ALL SIGNS MUST BE MOUNTED ON BROWARD COUNTY TRAFFIC ENGINEERING SCALE POSTS AND MOUNTED 7 FEET ABOVE GROUND.

PAVEMENT MARKINGS MUST MEET BROWARD COUNTY TRAFFIC ENGINEERING DIVISION STANDARDS AND MANUAL ON UNIFORM TRAFFIC CONTROL DEVICES.

**BCTD NOTE:**  
TRAFFIC SIGNAGE SHALL BE FABRICATED IN ACCORDANCE WITH THE BROWARD COUNTY TRAFFIC ENGINEERING STANDARD (CURRENT EDITION).

ALL PAVEMENT MARKINGS AND SIGNAGE DAMAGED DURING CONSTRUCTION SHALL BE REPLACED PER BROWARD COUNTY TRAFFIC ENGINEERING STANDARD (CURRENT EDITION).

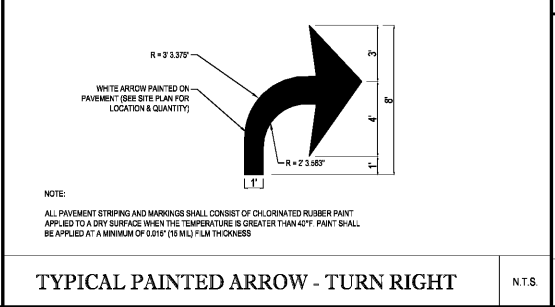
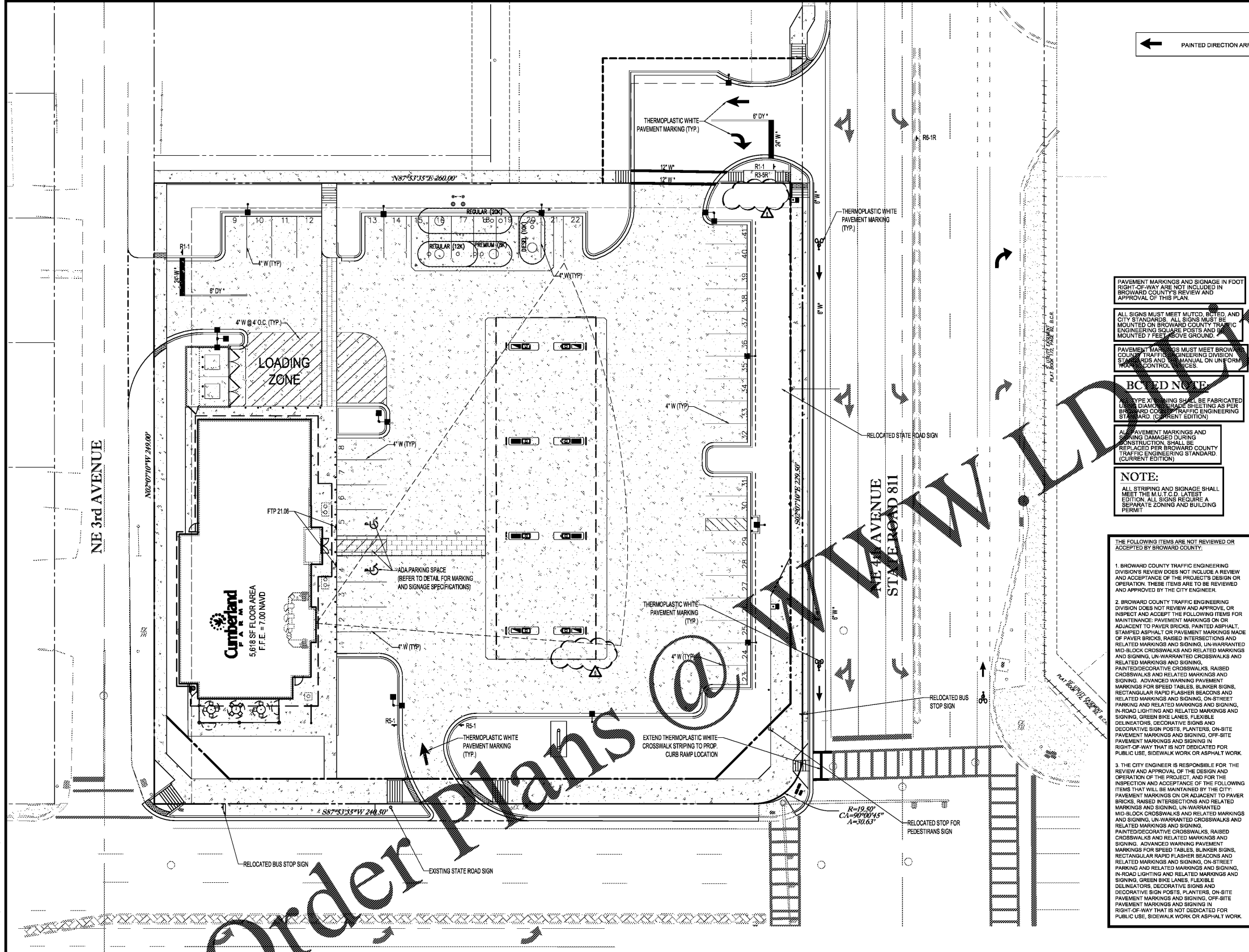
**NOTE:**  
ALL STRIPING AND SIGNAGE SHALL MEET THE MUTCD, LATEST EDITION. ALL SIGNS REQUIRE A SEPARATE ZONING AND BUILDING PERMIT.

THE FOLLOWING ITEMS ARE NOT REVIEWED OR ACCEPTED BY BROWARD COUNTY:

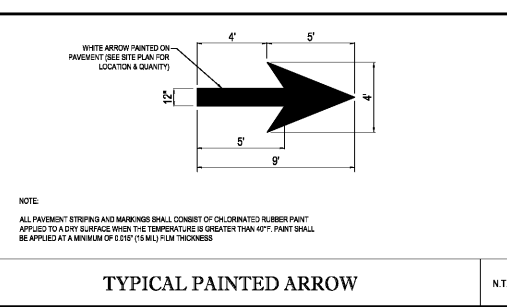
1. BROWARD COUNTY TRAFFIC ENGINEERING DIVISION'S REVIEW DOES NOT INCLUDE A REVIEW AND ACCEPTANCE OF THE PROJECT'S DESIGN OR OPERATION. THESE ITEMS ARE TO BE REVIEWED AND APPROVED BY THE CITY ENGINEER.

2. BROWARD COUNTY TRAFFIC ENGINEERING DIVISION DOES NOT REVIEW AND APPROVE, OR INSPECT AND ACCEPT, THE FOLLOWING ITEMS FOR MAINTENANCE: PAVEMENT MARKINGS ON OR ADJACENT TO PAVED BRICKS, PAINTED ASPHALT, STAMPED ASPHALT OR PAVEMENT MARKINGS MADE OF PAVED BRICKS, RAISED INTERSECTIONS AND RELATED MARKINGS AND SIGNING, UN-WARRANTED CROSSWALKS AND RELATED MARKINGS AND SIGNING, UN-WARRANTED PAINTED/DECORATIVE CROSSWALKS, RAISED CROSSWALKS AND RELATED MARKINGS AND SIGNING, ADVANCED WARNING PAVEMENT MARKINGS FOR SPEED TABLES, BLINKER SIGNS, RECTANGULAR RAPID FLASHER BEACONS AND RELATED MARKINGS AND SIGNING, ON-STREET PARKING AND RELATED MARKINGS AND SIGNING, IN-ROAD LIGHTING AND RELATED MARKINGS AND SIGNING, GREEN BIKE LANES, FLEXIBLE DELINEATORS, DECORATIVE SIGNS AND DECORATIVE SIGN POSTS, PLANTERS, ON-SITE PAVEMENT MARKINGS AND SIGNING, OFF-SITE PAVEMENT MARKINGS AND SIGNING IN RIGHT-OF-WAY THAT IS NOT DEDICATED FOR PUBLIC USE, SIDEWALK WORK OR ASPHALT WORK.

3. THE CITY ENGINEER IS RESPONSIBLE FOR THE REVIEW AND APPROVAL OF THE DESIGN AND OPERATION OF THE PROJECT, AND FOR THE INSPECTION AND ACCEPTANCE OF THE FOLLOWING ITEMS THAT WILL BE MAINTAINED BY THE CITY: PAVEMENT MARKINGS ON OR ADJACENT TO PAVED BRICKS, RAISED INTERSECTIONS AND RELATED MARKINGS AND SIGNING, UN-WARRANTED PAINTED/DECORATIVE CROSSWALKS, RAISED CROSSWALKS AND RELATED MARKINGS AND SIGNING, ADVANCED WARNING PAVEMENT MARKINGS FOR SPEED TABLES, BLINKER SIGNS, RECTANGULAR RAPID FLASHER BEACONS AND RELATED MARKINGS AND SIGNING, ON-STREET PARKING AND RELATED MARKINGS AND SIGNING, IN-ROAD LIGHTING AND RELATED MARKINGS AND SIGNING, GREEN BIKE LANES, FLEXIBLE DELINEATORS, DECORATIVE SIGNS AND DECORATIVE SIGN POSTS, PLANTERS, ON-SITE PAVEMENT MARKINGS AND SIGNING, OFF-SITE PAVEMENT MARKINGS AND SIGNING IN RIGHT-OF-WAY THAT IS NOT DEDICATED FOR PUBLIC USE, SIDEWALK WORK OR ASPHALT WORK.



**TYPICAL PAINTED ARROW - TURN RIGHT** N.T.S.



**TYPICAL PAINTED ARROW** N.T.S.

**Order Plans @**