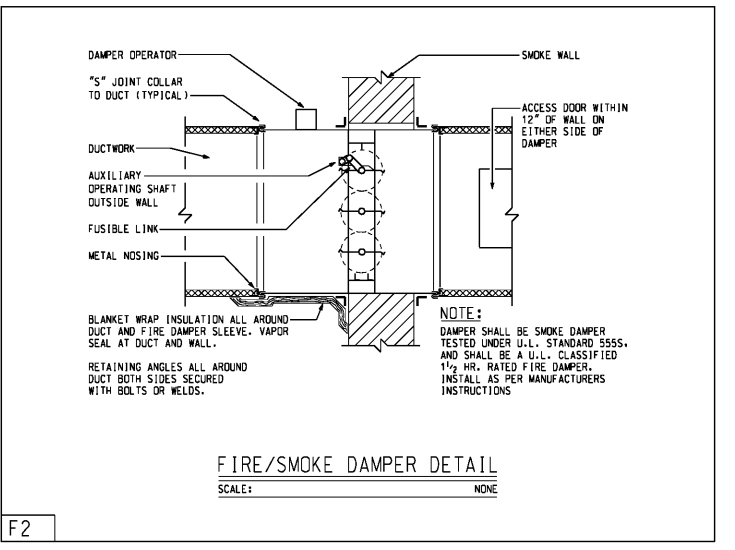
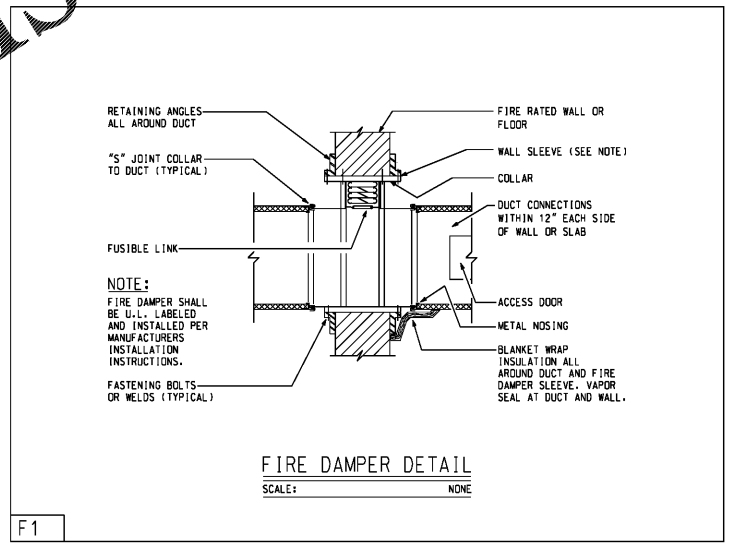
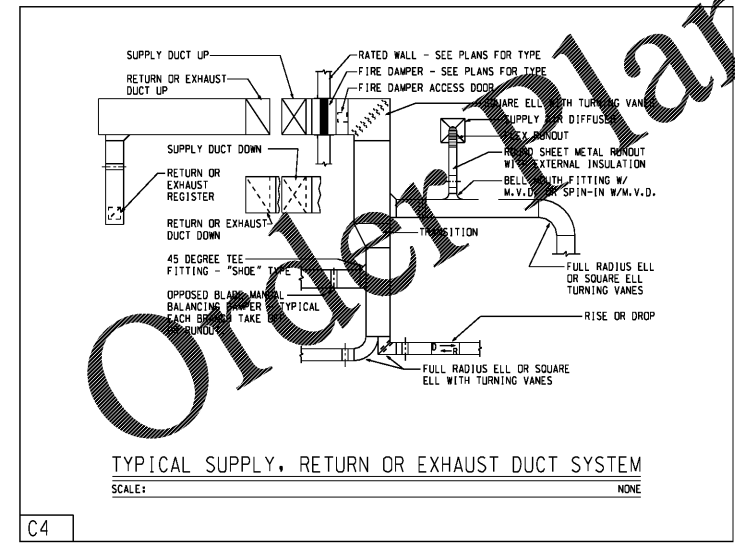
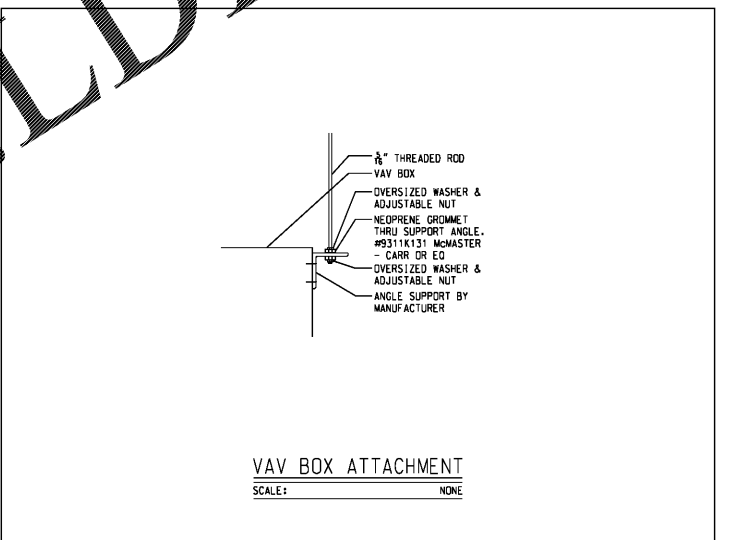
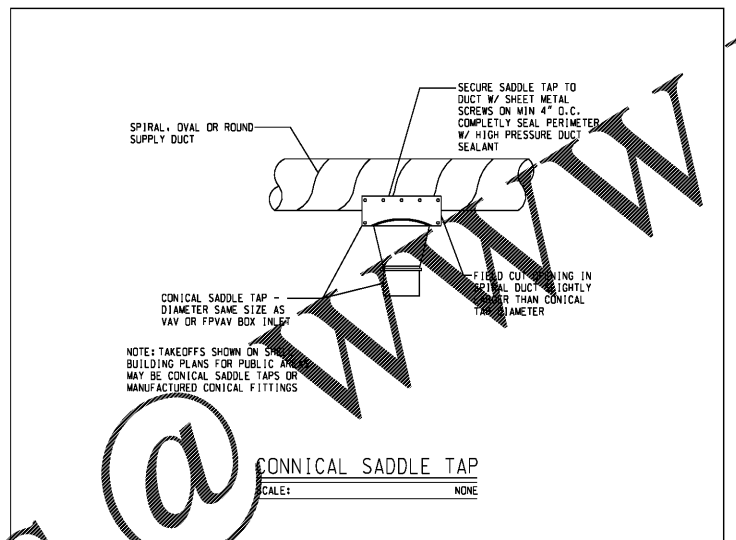
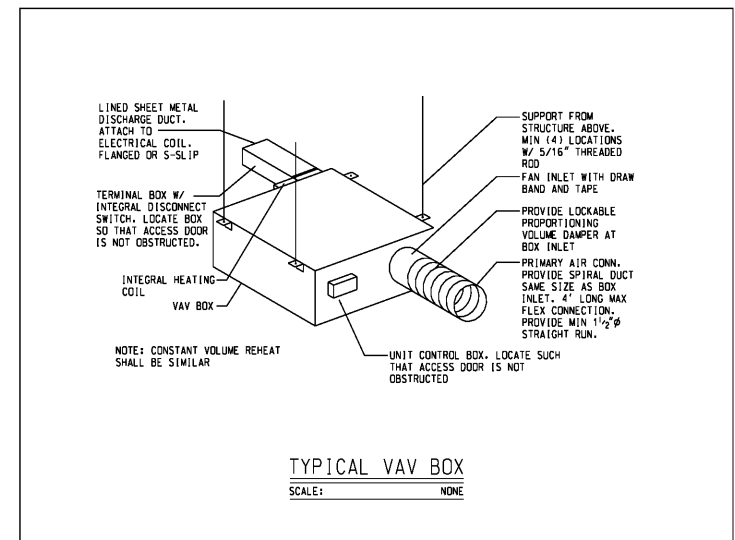
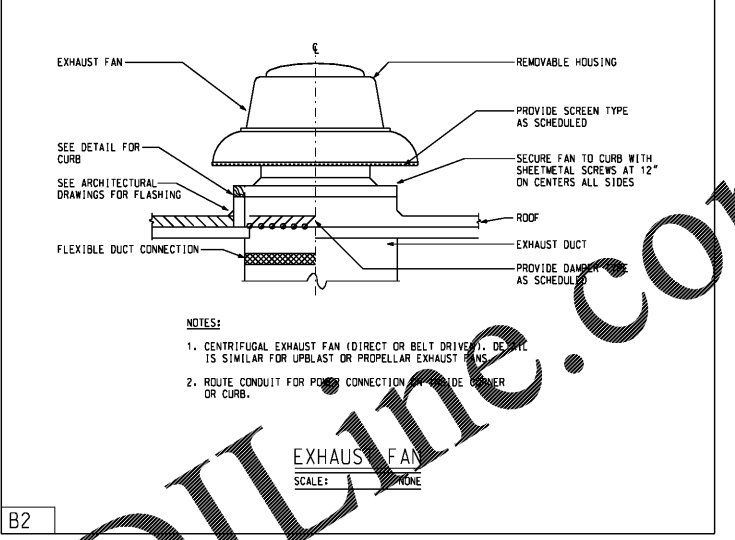
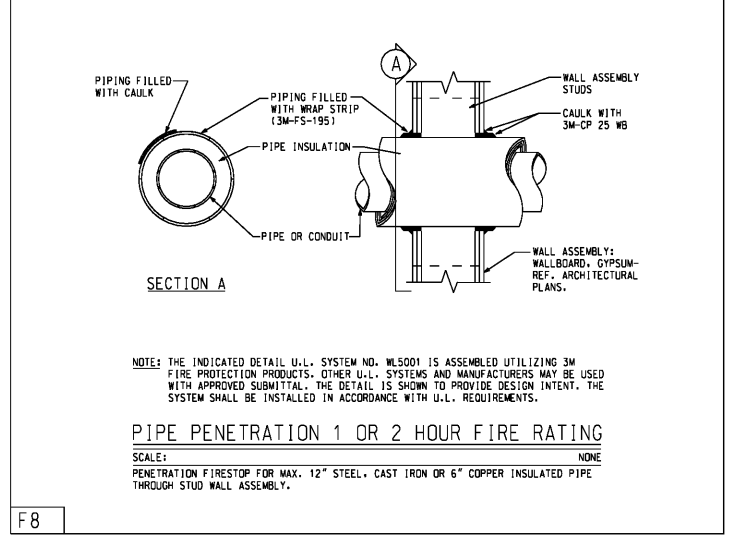
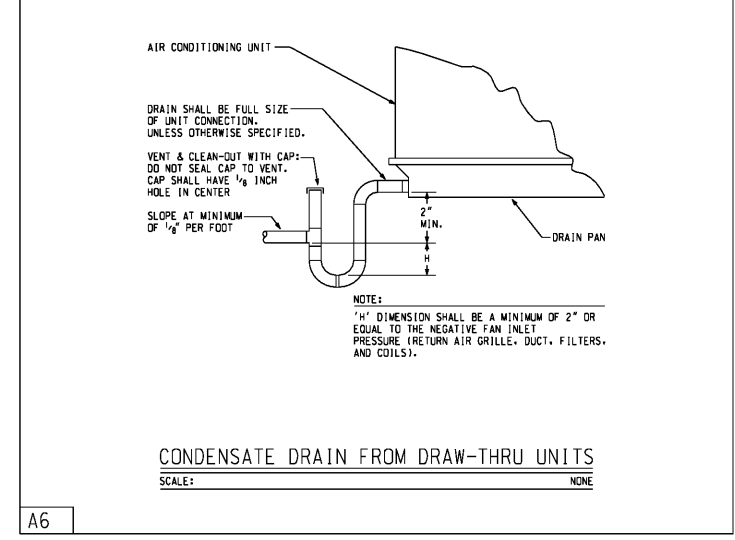


C:\2019\19155 - PARK MOB(CAD)\19155.dwg
11/17/2019
3:43:59 PM



80' / in.
5/16

Order Plans @ www.LDILine.com

PRH
MEDICAL OFFICE BUILDING
NAPLES, FLORIDA

THIS DOCUMENT CONTAINS PROPRIETARY TO DAVIS STORES INFORMATION AND/OR ITS CONTENTS MAY NOT BE REPRODUCED OR TRANSMITTED IN ANY FORM OR BY ANY MEANS, EITHER WHOLE OR IN PART, WITHOUT THE PRIOR WRITTEN CONSENT OF DAVIS STORES COLLABORATIVE, P.C. COPYRIGHT 2019. ALL RIGHTS RESERVED.

DAVIS STORES COLLABORATIVE, P.C.
7121 CROSSROADS BVD
888-HYWOOD, IN 47027
TEL: (615) 726-0310
FAX: (615) 726-0310
www.dsc.com

DSC ARCHITECTS

REVISIONS

NO.	DATE	DESCRIPTION

M2.01
ISSUE DATE: 11.12.19 JOB NUMBER: 19020