

1 TYP FLOOR DECK // TO TILT UP WALL

BEAM SIZE	EMBED I# DIMENSIONS			WELDED HEADED ANCHORS ANCHOR LAYOUT			
	L ₁	K	L	Ø	l _a	NO OF ROWS	ANCHORS/ROW
#6	3/8"	8"	4"	1/2"	4"	2	2
#8, #10	3/8"	8"	8"	1/2"	4"	2	2
#12, #14	3/8"	8"	12"	1/2"	4"	2	3
#16, #18	1/2"	12"	15"	3/4"	5"	2	3
#21	1/2"	12"	18"	3/4"	5"	3	3
#24	1/2"	12"	21"	3/4"	5"	3	4

SCHEDULE NOTES:
 1. PROVIDE SCHEDULED PLATES, BOLTS AND WELDS BASED ON MARKED BEAM SIZE.
 2. TIGHTEN ALL BOLTS TO THE SNUG TIGHT CONDITION.
 3. PROVIDE STANDARD OVERSIZED HOLES IN Ø.
 4. PROVIDE 3/16" C/C BOLT SPACING w/ 1/2" VERTICAL EDGE DISTANCE UNO.
 5. LOCATE BOLTS 2/3" MINIMUM AND 1/4" MAXIMUM FROM TOP OF STEEL.
 6. SEE 4/54.02 & 1/54.03 FOR WELDED COVER PLATES AT HORIZONTAL SLOTTED HOLES.
 7. SEE 14/54.01 FOR WELDS AT SKENED CONNECTIONS.
 8. SEE REMAINING DETAILS FOR INFORMATION NOT INDICATED.

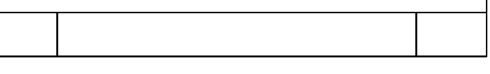
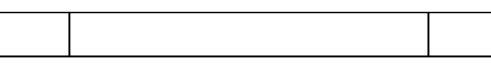
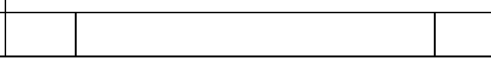
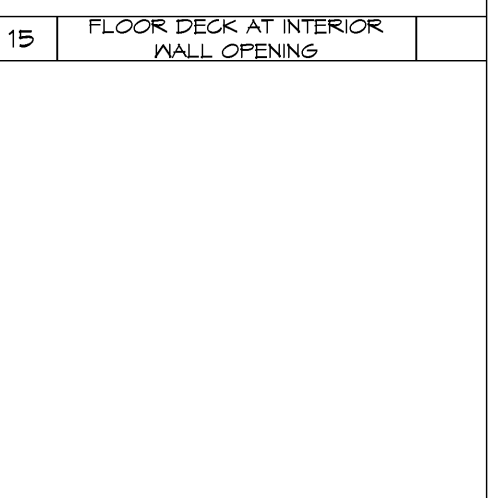
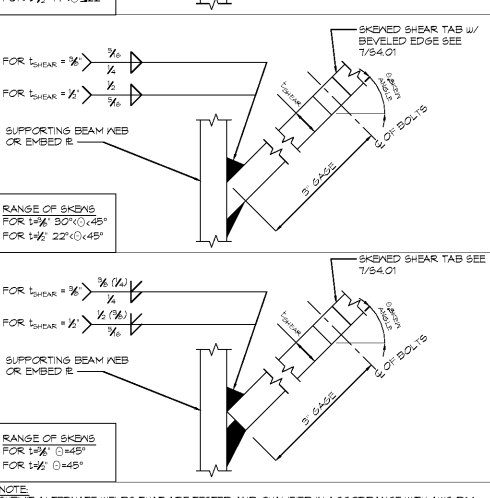
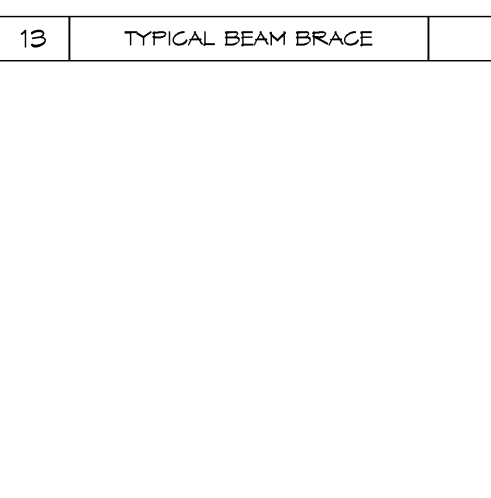
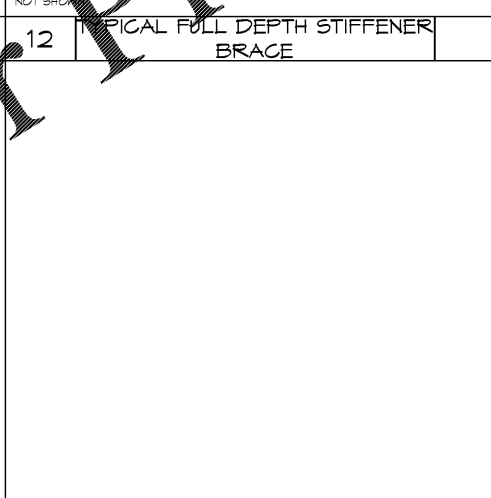
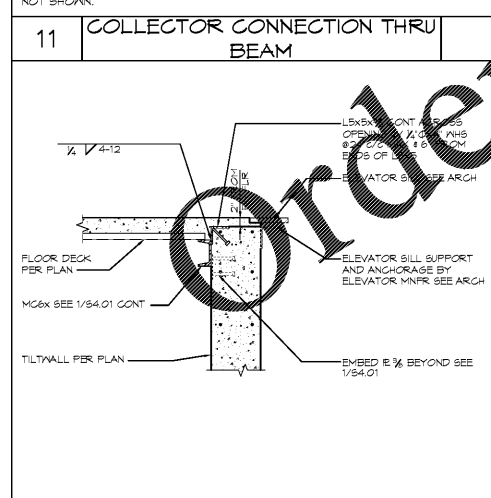
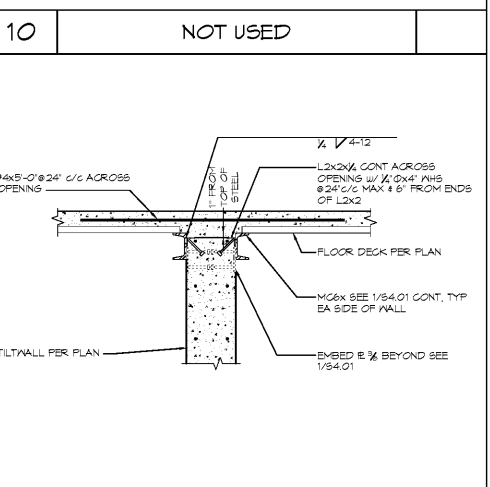
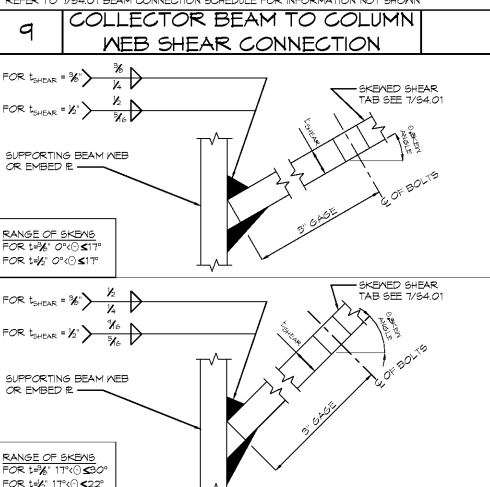
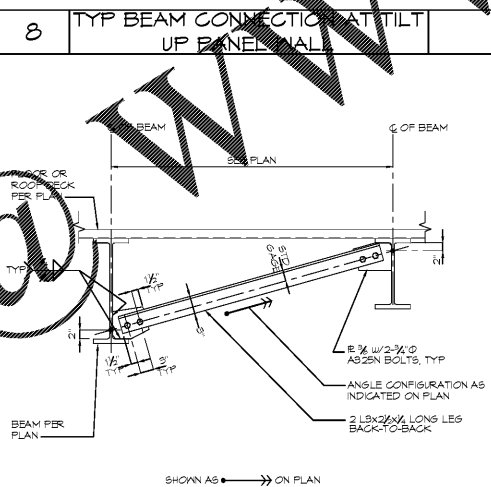
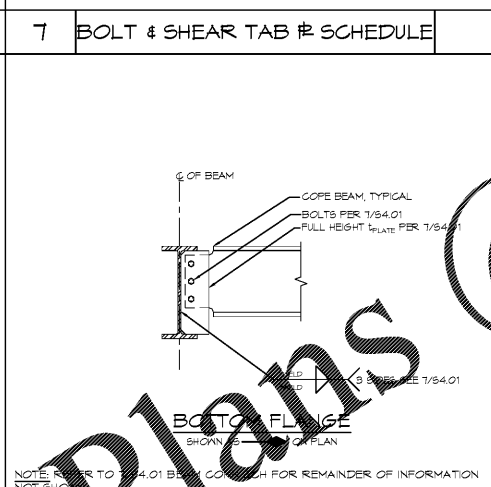
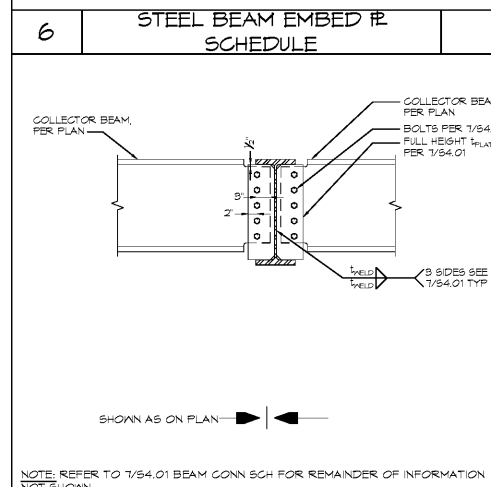
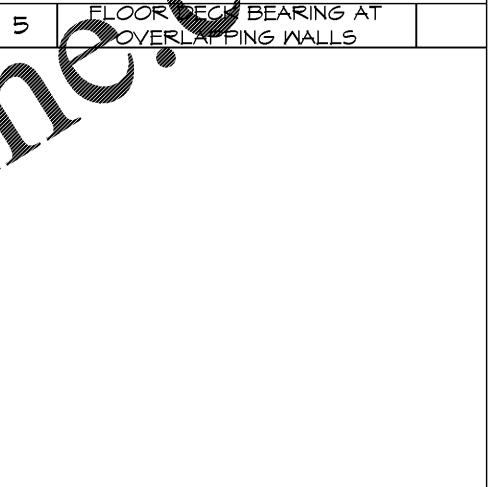
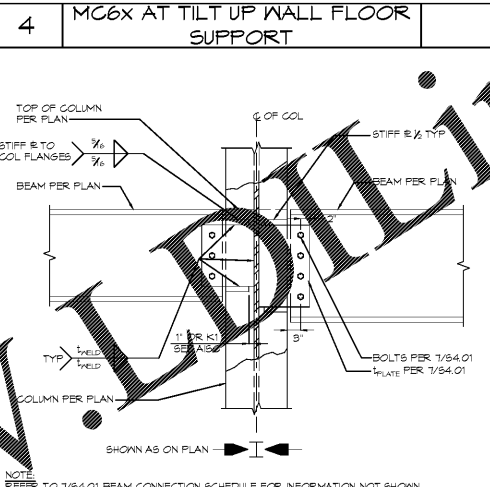
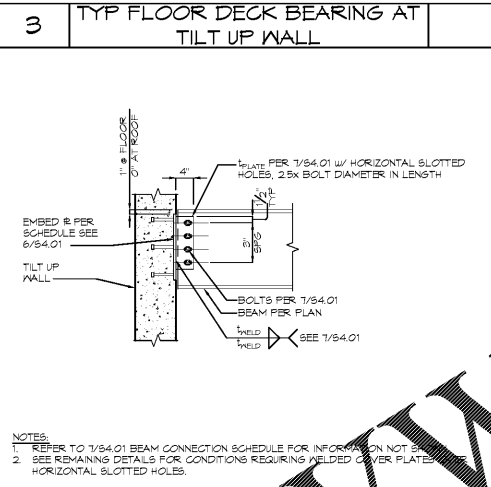
TWO ROW

THREE ROW

2 BEAM @ CONCRETE FLOOR SLAB

BEAM SIZE	I#	BOLT			WELD	NOTES
		PLATE	TYPE	QUANTITY		
#6, C6	3/8"	A325N	2 HORIZONTAL SPACED @ 3" C/C	3/8"	3/8"	
#8, #10	3/8"	A325N	2	3/8"	3/8"	
#12, #14, #12	3/8"	A325N	3	3/8"	3/8"	
#16, #18	3/8"	A325N	4	3/8"	3/8"	
#21	3/8"	A325N	5	3/8"	3/8"	
#24	3/8"	A325N	6	3/8"	3/8"	

SCHEDULE NOTES:
 1. PROVIDE SCHEDULED PLATES, BOLTS AND WELDS BASED ON MARKED BEAM SIZE.
 2. TIGHTEN ALL BOLTS TO THE SNUG TIGHT CONDITION.
 3. PROVIDE STANDARD OVERSIZED HOLES IN Ø.
 4. PROVIDE 3/16" C/C BOLT SPACING w/ 1/2" VERTICAL EDGE DISTANCE UNO.
 5. LOCATE BOLTS 2/3" MINIMUM AND 1/4" MAXIMUM FROM TOP OF STEEL.
 6. SEE 4/54.02 & 1/54.03 FOR WELDED COVER PLATES AT HORIZONTAL SLOTTED HOLES.
 7. SEE 14/54.01 FOR WELDS AT SKENED CONNECTIONS.
 8. SEE REMAINING DETAILS FOR INFORMATION NOT INDICATED.



PRM MEDICAL OFFICE BUILDING

NAPLES, FLORIDA

DSC ARCHITECTS

7121 CROSSROADS BLVD. BRENTWOOD, TN 37027 TEL: (615) 726-0010 MAIL: dscinfo@dscarch.com WWW: www.dscarch.com

REVISIONS

NO	DATE	DESCRIPTION

FRAMING SECTIONS & DETAILS

S4.01

ISSUE DATE: 11/12/19 JOB NUMBER: 19020