



PRH  
MEDICAL OFFICE BUILDING  
NAPLES, FLORIDA

THIS DOCUMENT CONTAINS INFORMATION THAT IS PROPRIETARY TO DSC ARCHITECTS P.C. ANY REPRODUCTION OR DISSEMINATION OF THIS DOCUMENT WITHOUT THE WRITTEN CONSENT OF DSC ARCHITECTS P.C. IS PROHIBITED.

7121 CROSSROADS BLVD  
BRENTWOOD, TN 37027  
TEL: (615) 726-0010  
FAX: (615) 726-0011  
www.dscarch.com

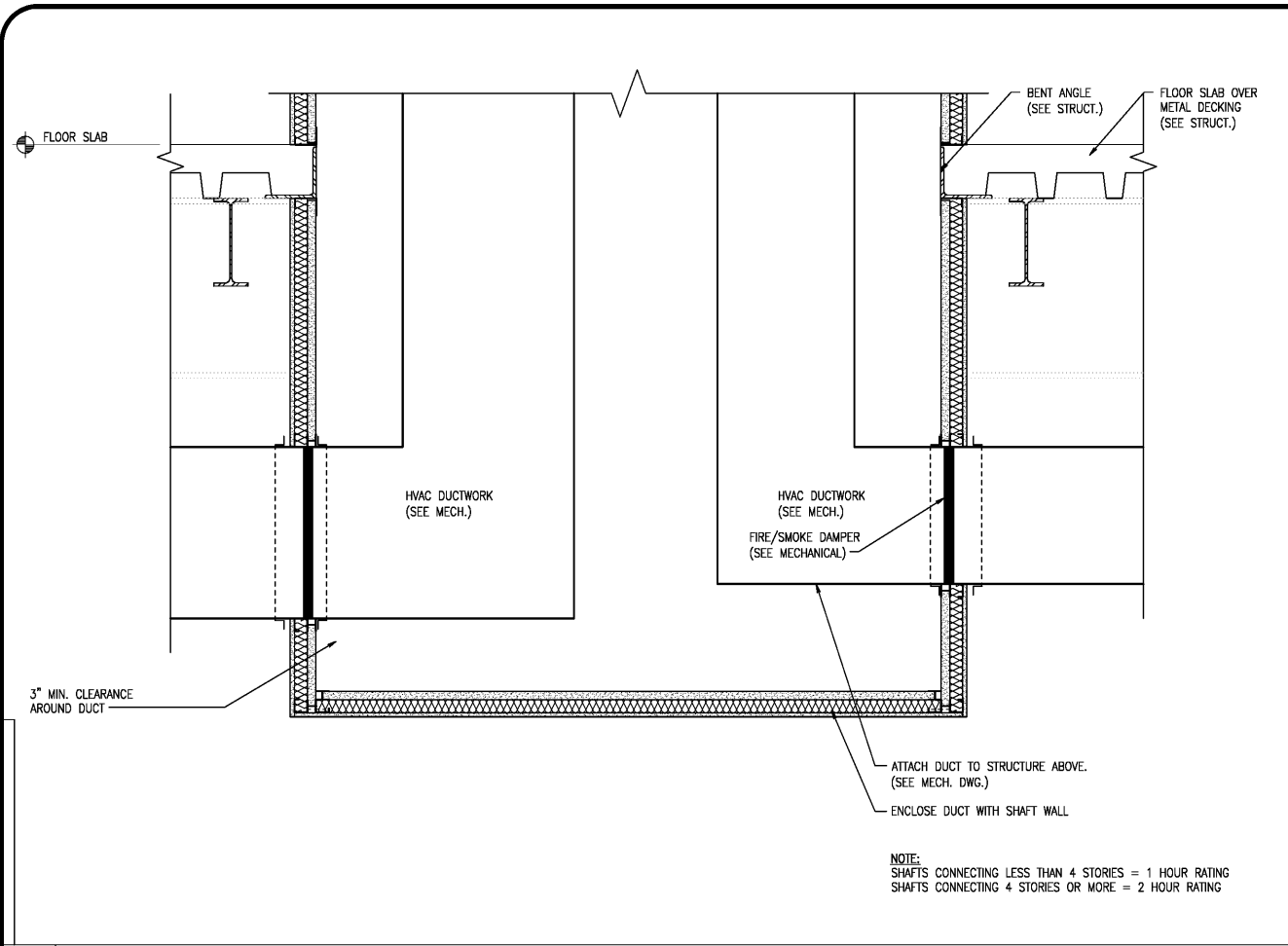
DSC ARCHITECTS

REVISIONS	
NO.	DESCRIPTION

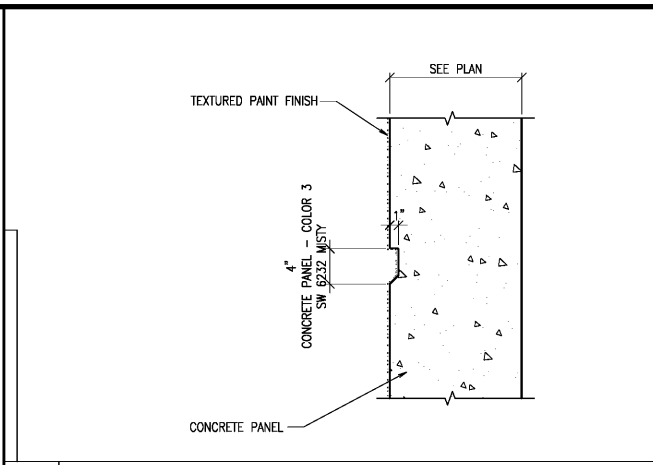
DETAILS

**A6.51**

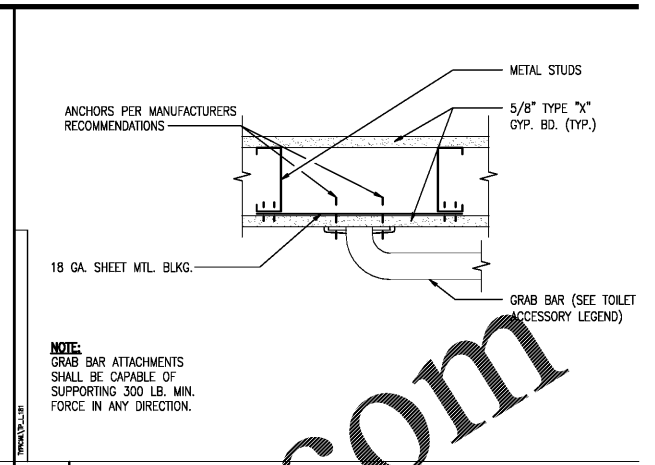
ISSUE DATE: 11.12.19 JOB NUMBER: 19020



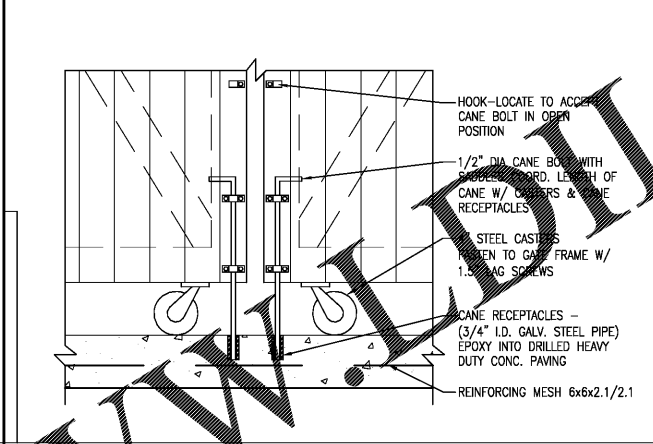
**15 DUCT ENCLOSURE BELOW ELEVATED SLAB N.T.S.**



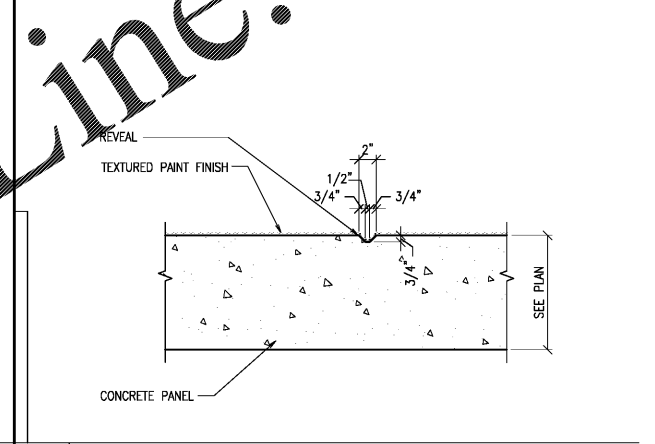
**8 RECESS @ CONCRETE PANELS**



**4 GRAB BAR ATTACHMENT - METAL STUD N.T.S.**



**5 GATE CANE BOLT & CASTER N.T.S.**

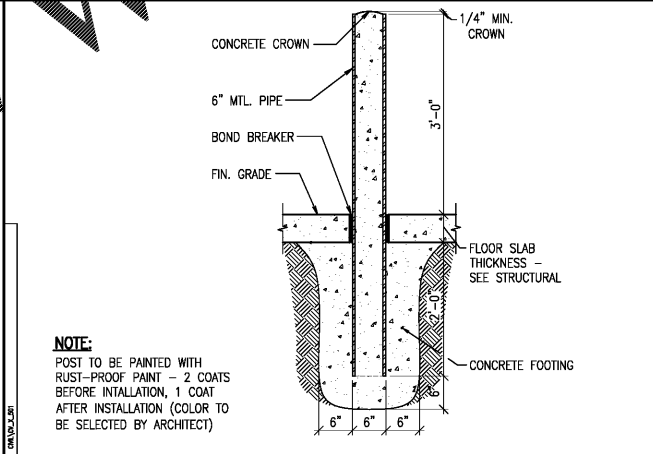


**3 TYPICAL REVEAL @ CONCRETE PANELS**

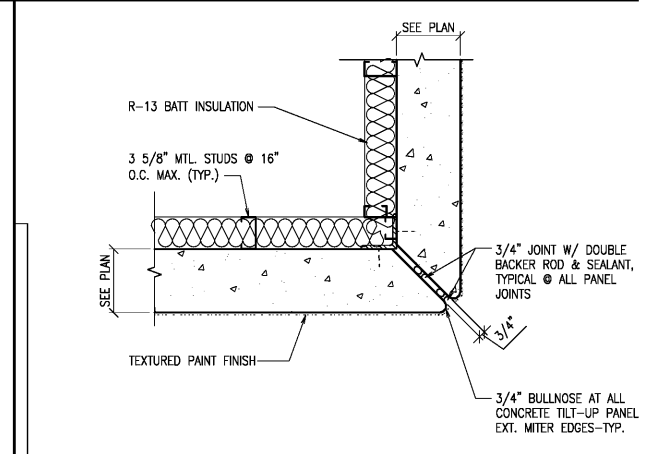


**14 INTERMEDIATE SUPPORT LEG N.T.S.**

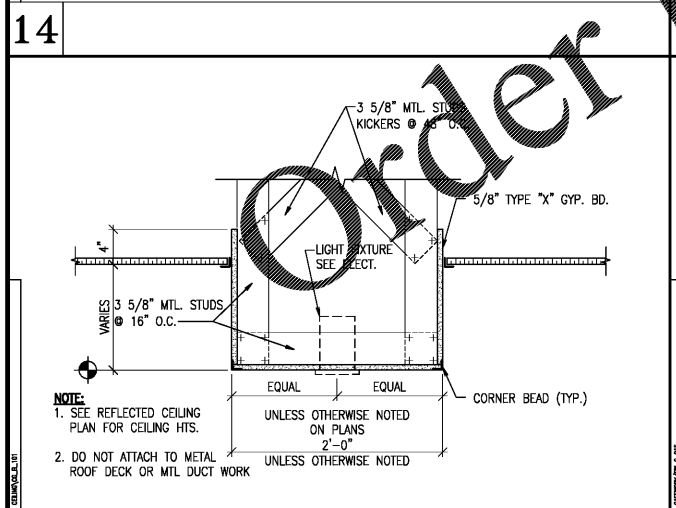
NOTES:  
1) 3/4" PLYWOOD W/ PLASTIC LAMINATE ON ALL EXPOSED SURFACES  
2) SUPPORT LEG HEIGHT AND DEPTH MAY VARY ACCORDING TO FIELD CONDITIONS OR DEPTH OF COUNTER  
3) PROVIDE A SUPPORT @ 48" O.C. MAX SPACING



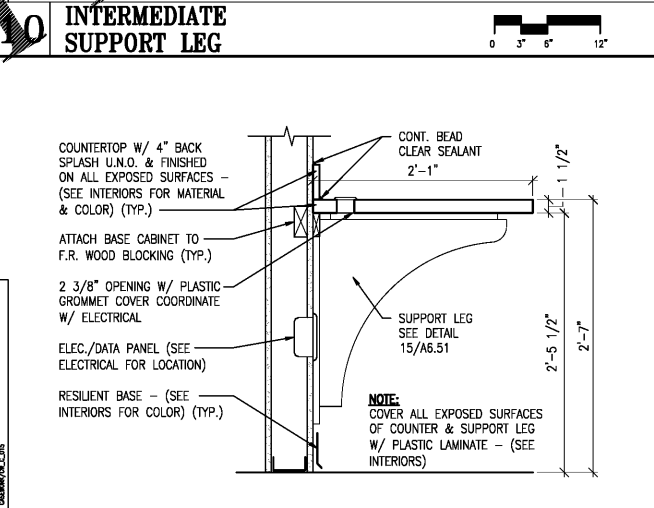
**6 PIPE BOLLARD N.T.S.**



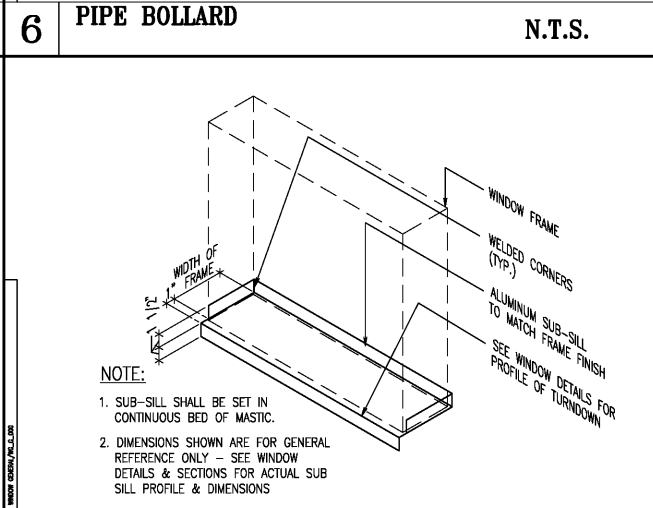
**2 OUTSIDE CORNER @ TILT-UP PANELS**



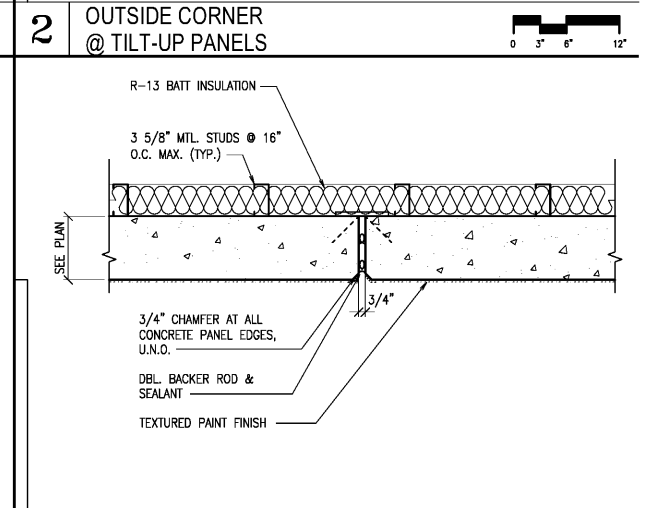
**13 SOFFIT**



**9 COUNTER TOP W/ SUPPORT LEG**



**5 TYPICAL SUB SILL N.T.S.**



**1 PANEL JOINT @ CONCRETE PANELS**

9/20/2019 9:23 AM	DRAWING CREATED:	1/8
11/11/2019 9:11 AM	LAST DRAWING UPDATE:	1/8
9/20/2019 11:03 AM	FILE NAME:	1/8
9/20/2019 11:03 AM	FILE NAME:	1/8
9/20/2019 11:03 AM	SCALE FACTOR:	1/8
9/20/2019 11:03 AM	SCALE FACTOR:	1/8