

PRH
MEDICAL OFFICE BUILDING
NAPLES, FLORIDA

THIS DOCUMENT CONTAINS
INFORMATION THAT IS
CONFIDENTIAL TO
DAVIS STOKES COLLABORATIVE P.C.
REPRODUCTION OR DISCLOSURE TO
OTHERS WITHOUT THE WRITTEN
CONSENT OF DAVIS STOKES
COLLABORATIVE P.C.
IS PROHIBITED.
COPYRIGHT © 2019

7121 CROSSROADS BLVD
BENTONVILLE, TN 37027
TEL (417) 726-0010
MAIL davis@dstccol.com
WWW.dstccol.com

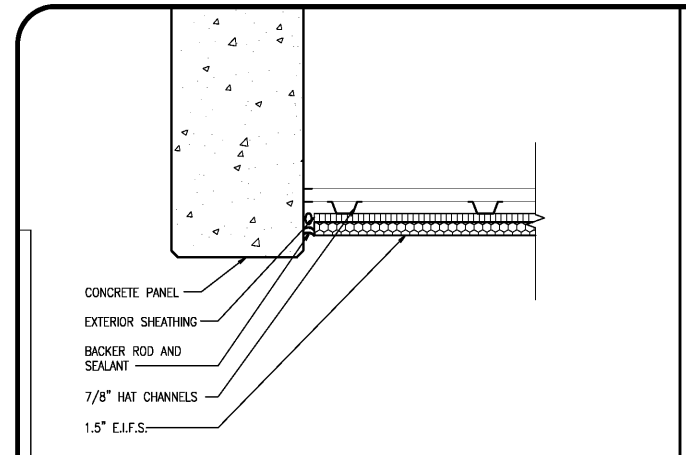
DSC ARCHITECTS

REVISIONS	
NO.	DESCRIPTION

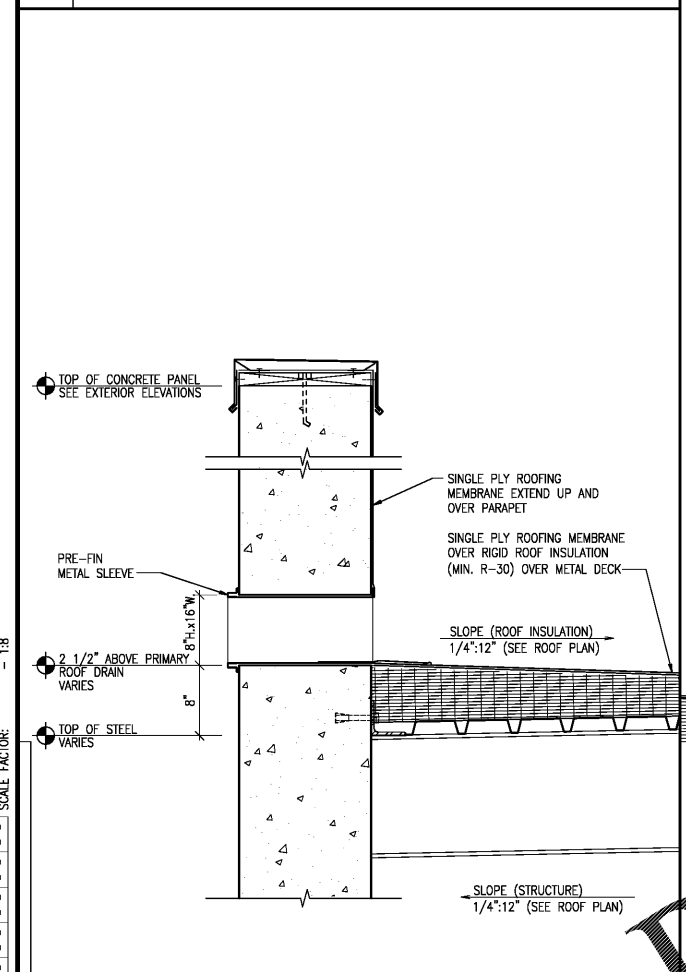
ROOF DETAILS

A4.51

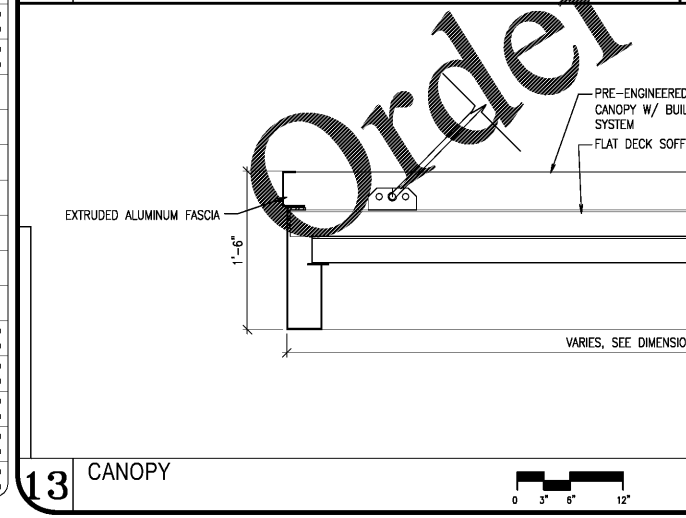
ISSUE DATE 11.12.19 JOB NUMBER 19020



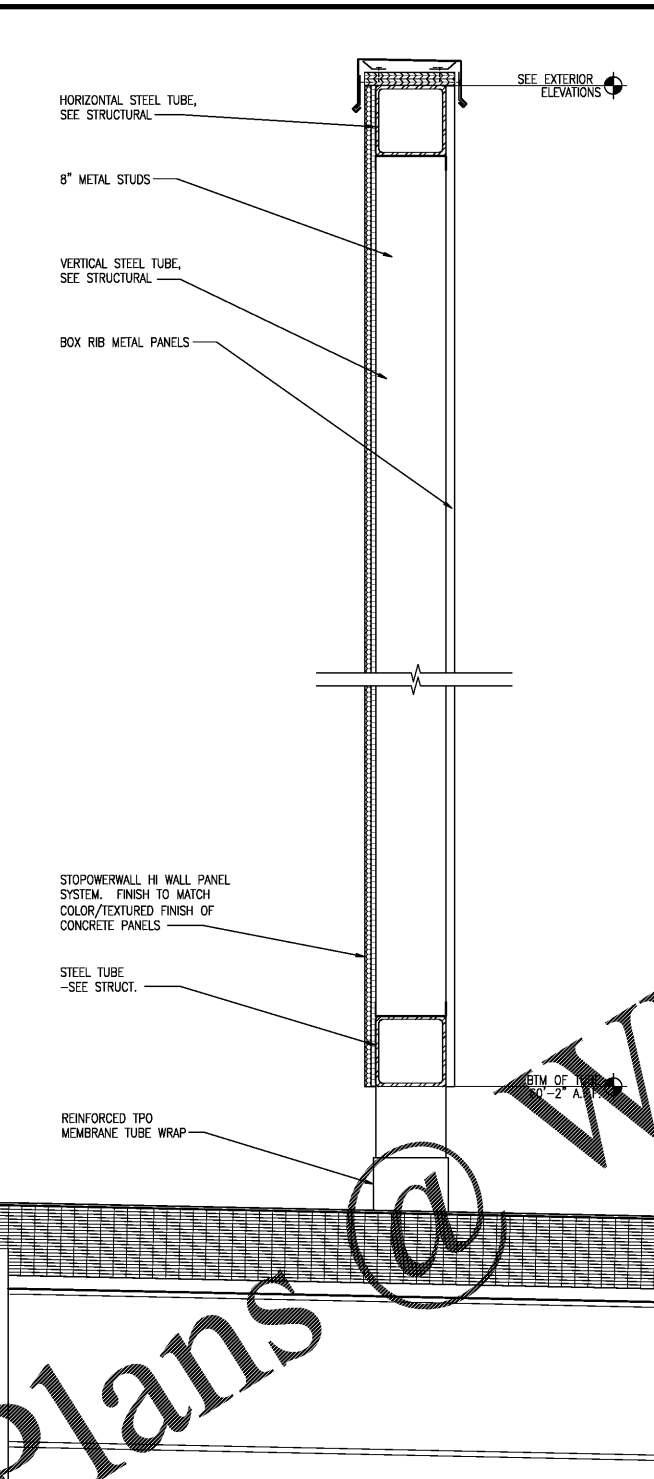
16 EXTERIOR SOFFIT N.T.S.



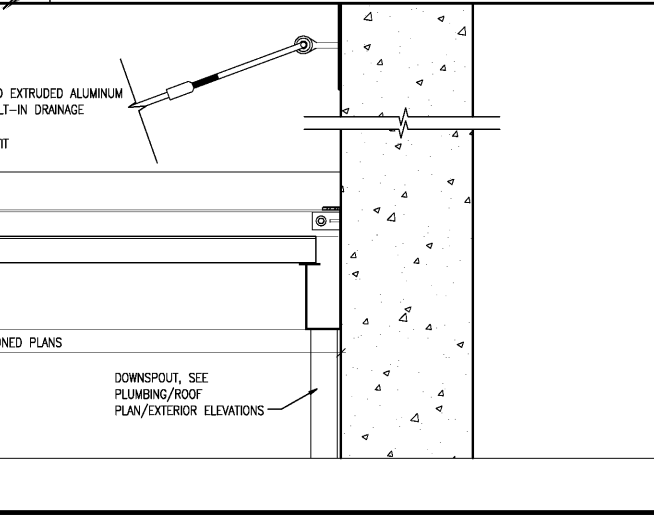
14 OVERFLOW SCUPPER



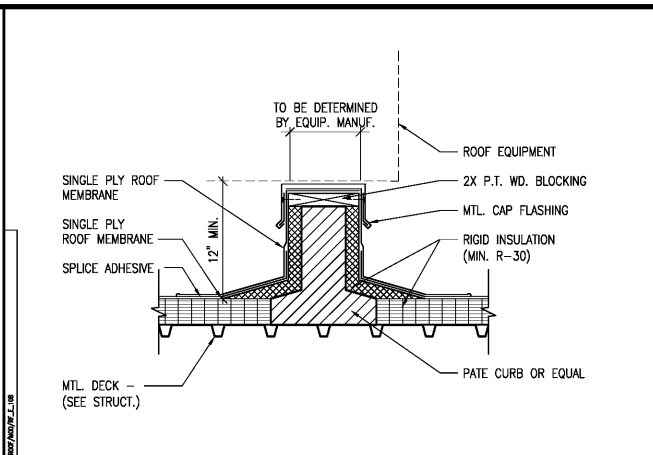
13 CANOPY



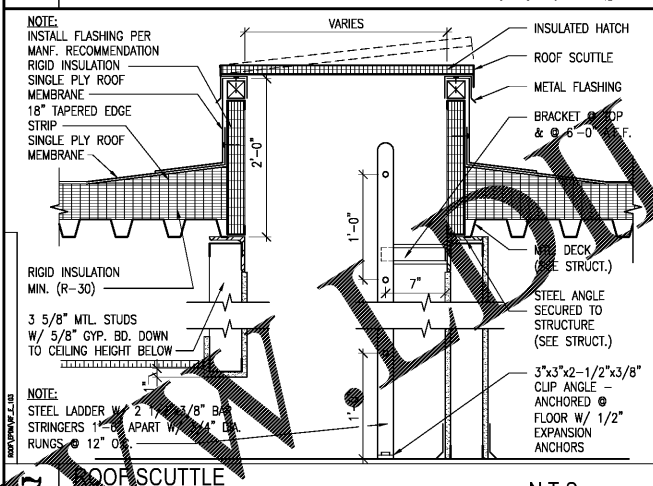
8 LINEAR EQUIPMENT SUPPORT



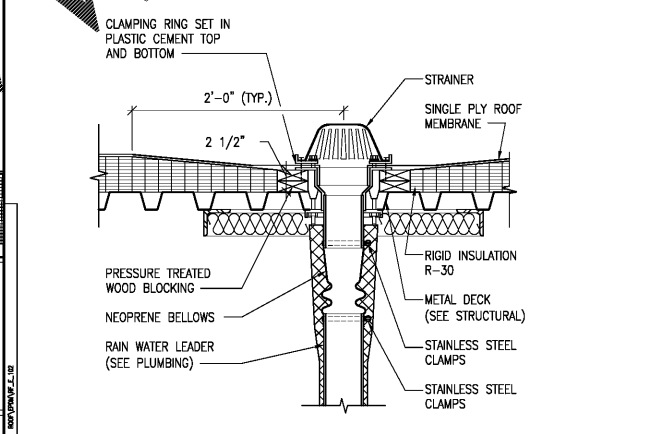
6 ROOF DRAIN



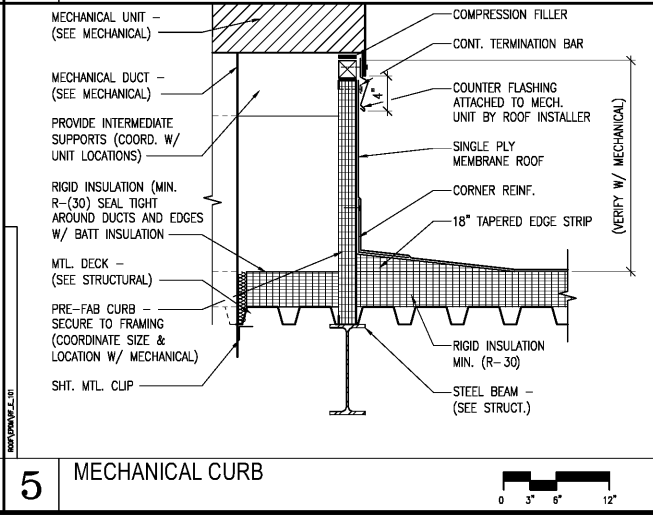
4 PRE-MOLDED PIPE BOOT



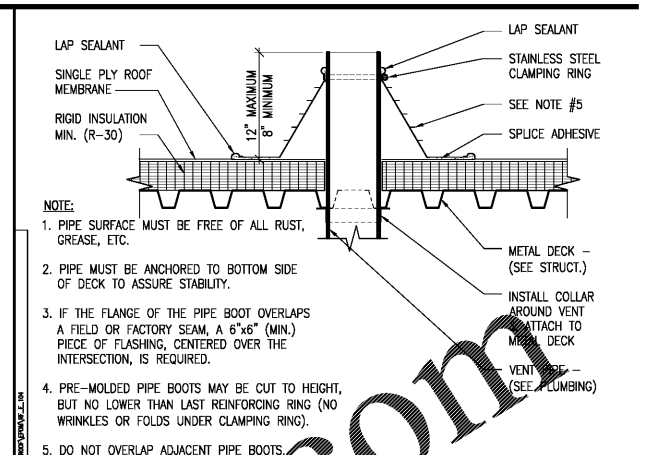
3 ROOF FLASHING TERMINATION



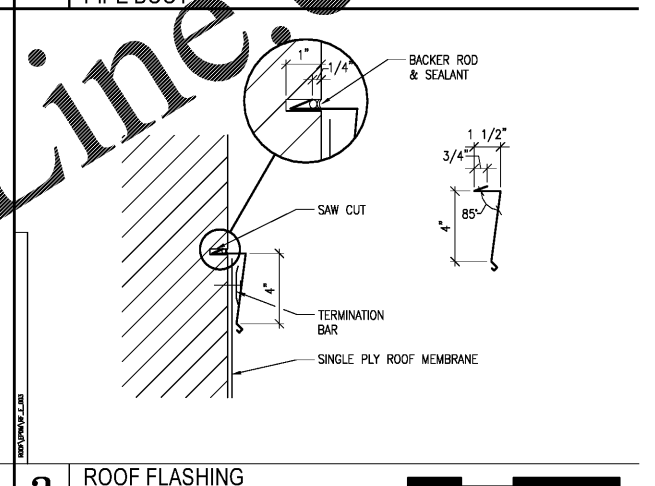
2 ROOF DRAIN LOCATIONS



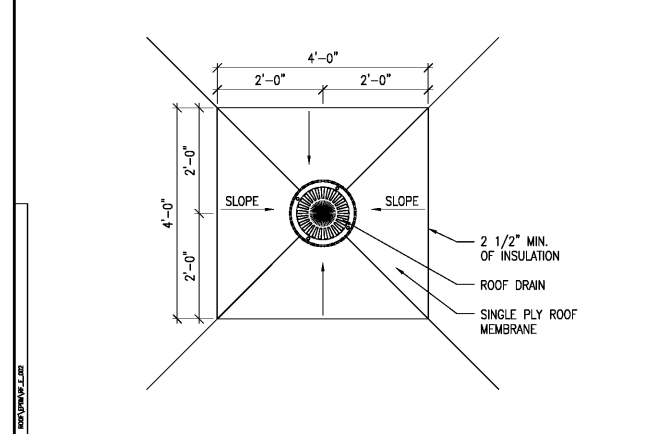
5 MECHANICAL CURB



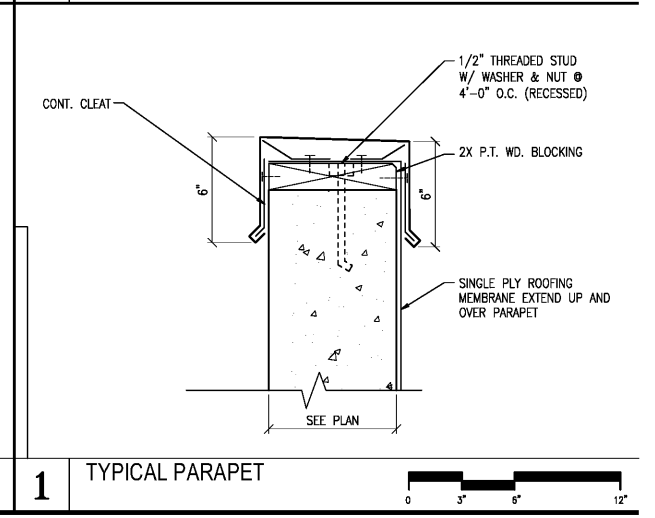
1 TYPICAL PARAPET



8 LINEAR EQUIPMENT SUPPORT (cont.)



2 ROOF DRAIN LOCATIONS (cont.)



5 MECHANICAL CURB (cont.)

DRAWING CREATED: 11/16/2019 3:52 PM
LAST DRAWING UPDATE: 11/16/2019 4:39 PM
FILE NAME: A4.51-ROOF DETAILS.dwg
PLOT NAME: A4.51-ROOF DETAILS.dwg
SCALE FACTOR: 1:8

NO.	DATE	DESCRIPTION

1:8

NO.	DATE	DESCRIPTION

Order Plans @