



FLORIDA  
**MEDICAL OFFICE BUILDING**  
 NAPLES.

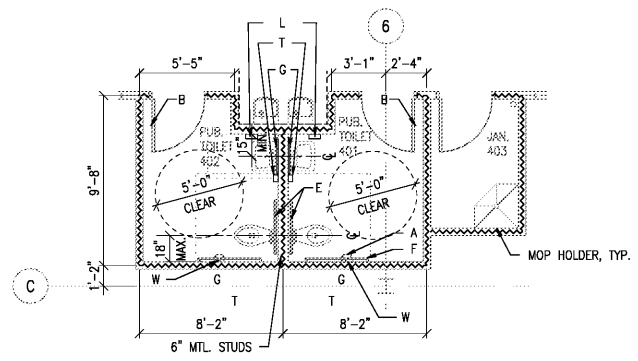
THIS DOCUMENT CONTAINS PROPRIETARY INFORMATION AND IS THE PROPERTY OF DAVIS STOKES COLLABORATIVE P.C. THIS DOCUMENT AND ITS CONTENTS ARE TO BE REPRODUCED OR DISCLOSED TO OTHERS IN WHOLE OR IN PART WITHOUT THE WRITTEN CONSENT OF DAVIS STOKES COLLABORATIVE P.C. COPYRIGHT © 2019. ALL RIGHTS RESERVED.

7121 CROSSROADS BLVD  
 BRENTWOOD, TN 37027  
 TEL (615) 726-0010  
 FAX (615) 726-0010  
 WWW.DSCA.COM

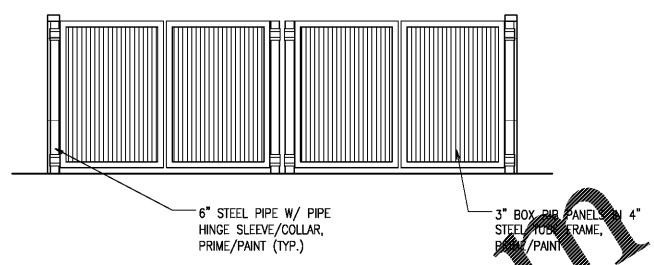
DAVIS STOKES COLLABORATIVE P.C.  
**DSC ARCHITECTS**

REVISIONS	
NO.	DESCRIPTION

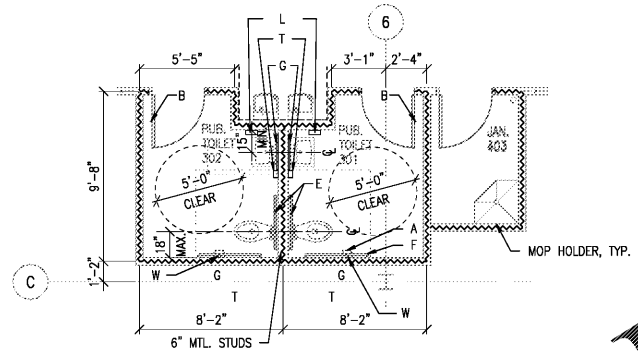
DUMPSTER ENCLOSURE	
<b>A2.01</b>	
ISSUE DATE	JOB NUMBER
11.12.19	19020



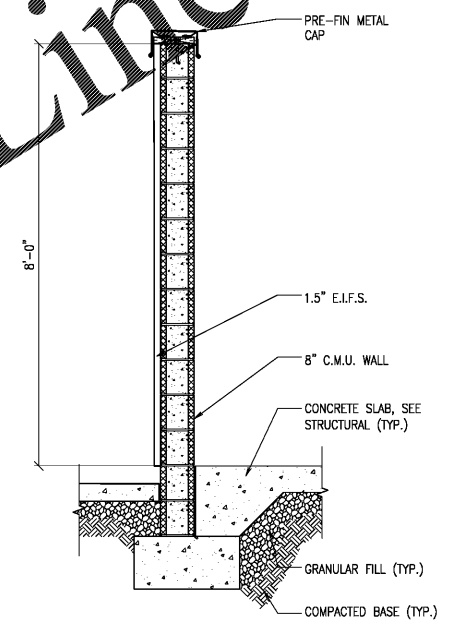
6 PUB. TLT. 401/402



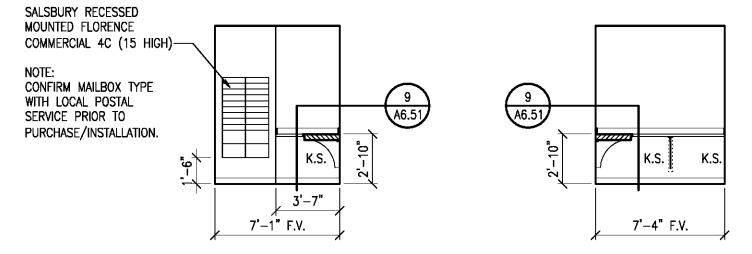
A DUMPSTER SCREEN WALL



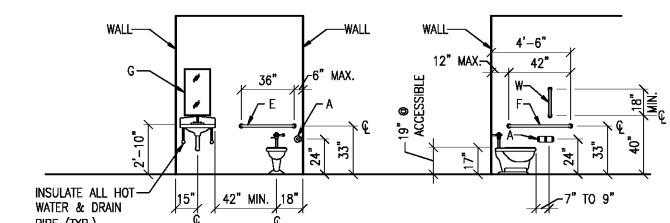
5 PUB. TLT. 301/302



2 SECTION

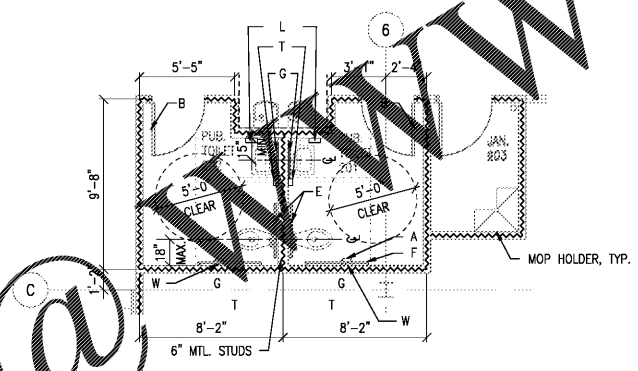


B MAIL 104 CASEWORK ELEVATION

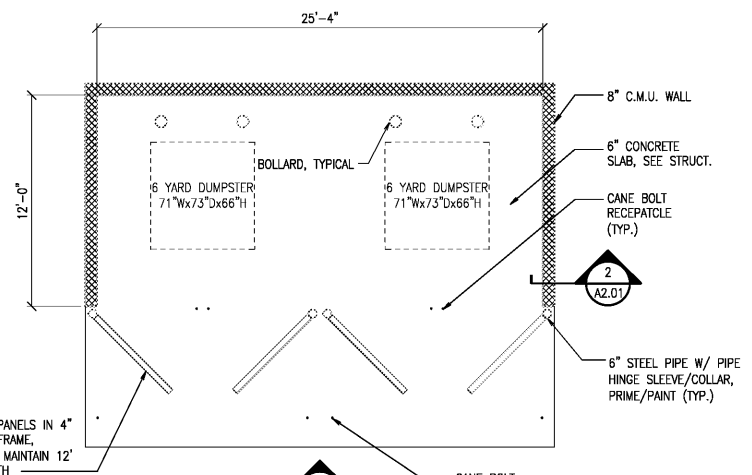


TYP. ACCESSIBLE TOILET ELEVATIONS

NOTE:  
 1.) CONTROLS FOR WATER CLOSET FLUSH VALVES SHALL BE MOUNTED ON THE WIDE SIDE OF TOILET AREAS.  
 2.) THE FORCE REQUIRED TO ACTIVATE WATER CLOSET AND URINAL FLUSH VALVE CONTROLS, FAUCET AND OPERATING MECHANISM CONTROLS, SHALL BE NO GREATER THAN 5 LBF.



4 PUB. TLT. 202/203

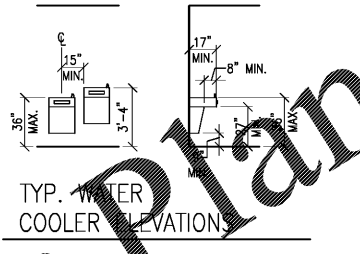


1 DUMPSTER ENCLOSURE

GENERAL NOTES:  
 1. VERIFY WALL THICKNESS SHOWN ON PLANS TO ACCOMMODATE THE SPECIFIED CARRIERS FOR SINKS OR WATER CLOSETS.  
 2. SEE DETAIL x/A6.5x FOR GRAB BAR ATTACHMENT.

TOILET ACCESSORIES LEGEND		
A	SURFACE TOILET PAPER HOLDER	24" A.F.F.
B	(2) SINGLE ROBE HOOK	48"/72" A.F.F.
C	12" GRAB BAR	33" TO $\phi$
D	24" GRAB BAR	33" TO $\phi$
E	36" GRAB BAR	33" TO $\phi$
F	42" GRAB BAR	33" TO $\phi$
G	GLASS MIRROR 18" X 36" U.N.O.	40" BOTTOM
H	SHOWER SEAT	18" A.F.F.
J	TUB SEAT	
K	RECESSED PAPER TOWEL DISPENSER	CENTER
L	SURFACE MOUNTED PAPER TOWEL	48" - CENTER
M	18" X 32" L-SHAPED GRAB BAR	33" TO $\phi$
N	SOAP DISPENSER SURFACE MOUNT	
P	48" GRAB BAR	33" TO $\phi$
R	BABY CHANGE STATION	27" A.F.F.
S	SANITARY NAPKIN DISPOSAL UNIT	16" - BOTTOM
T	SOAP DISPENSER	42" A.F.F.
U	ELECT. HAND DRYER	40" TO $\phi$
V	SHOWER CURTAIN & ROD	
W	18" VERTICAL GRAB BAR	33"/40" TO $\phi$

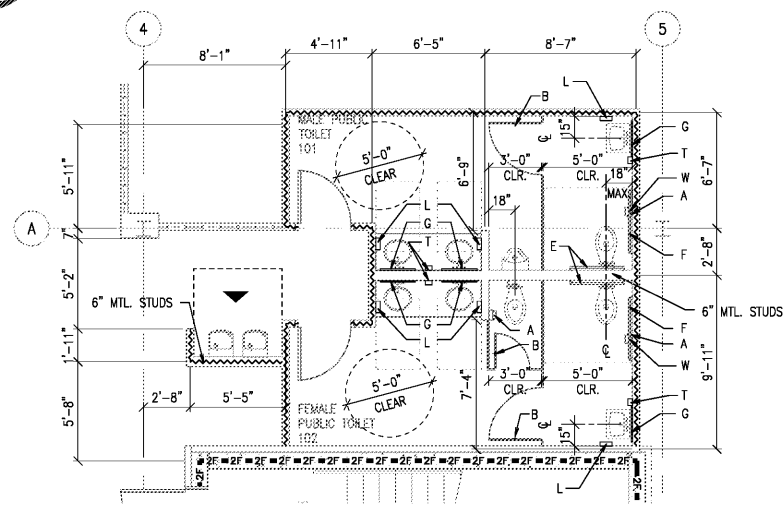
NOTE: SOME ITEMS LISTED ABOVE, MAY NOT BE USED.



TYP. WATER COOLER ELEVATION

WALL LEGEND	
WALL CONSTRUCTION TYP.	
.....	UNRATED PARTITION TO ABOVE CLG.
-----	LEASE SPACE PARTITION
-----	UNRATED PARTITION TO DECK
X::X::X::X::X::X::X::X	SMOKE PARTITION
---SB---SB---SB---	SMOKE BARRIER
---1F---1F---1F---	1 HOUR FIRE BARRIER
---1FS---1FS---1FS---	1 HOUR FIRE - SMOKE BARRIER
---2F---2F---2F---	2 HOUR FIRE BARRIER
---2FS---2FS---2FS---	2 HOUR FIRE - SMOKE BARRIER
-----	2 HOUR SHAFT BARRIER

NOTE: ALL WALL TYPES MAY NOT BE USED.



3 FEMALE PUB. TLT. 101  
 MALE PUB. TLT. 102

NOTE: COORDINATE DOORS & SIZE OF ENCLOSURE W/ WASTE HAULER.

ENLARGED FLOOR PLANS AND ELEVATIONS

DRAWING CREATED: 10/4/2019 8:13 AM  
 LAST DRAWING UPDATE: 11/14/2019 10:25 AM  
 FILE NAME: 19020\_A2.01.dwg  
 SCALE FACTOR: 1:48

NO.	DATE	DESCRIPTION