



THIS DOCUMENT CONTAINS PROPRIETARY INFORMATION AND IS THE PROPERTY OF DAVIS STOKES COLLABORATIVE P.C. THIS DOCUMENT AND ITS CONTENTS ARE TO BE USED ONLY FOR THE PROJECT AND SITE SPECIFICALLY IDENTIFIED HEREIN. ANY REPRODUCTION OR DISSEMINATION OF THIS INFORMATION TO OTHERS, EITHER WHOLLY OR IN PART, WITHOUT THE WRITTEN CONSENT OF DAVIS STOKES COLLABORATIVE P.C. IS PROHIBITED. RIGHTS RESERVED.

DAVIS STOKES COLLABORATIVE P.C.
7121 CROSSROADS BLVD
BRENTWOOD, TN 37027
TEL (615) 776-0010
FAX (615) 776-0010
WWW.DSCA.COM

DSC ARCHITECTS

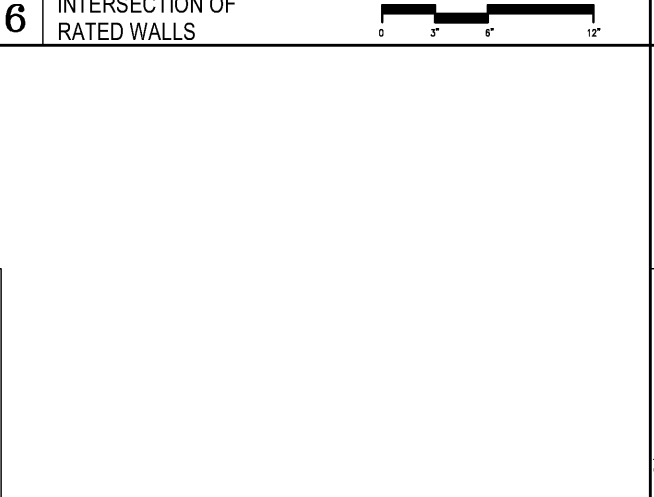
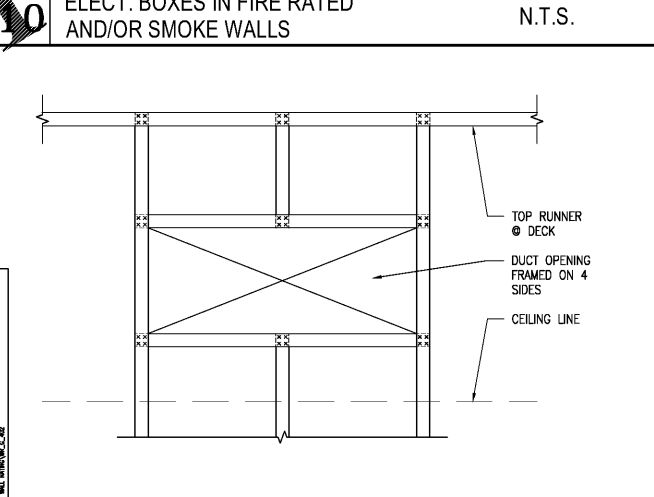
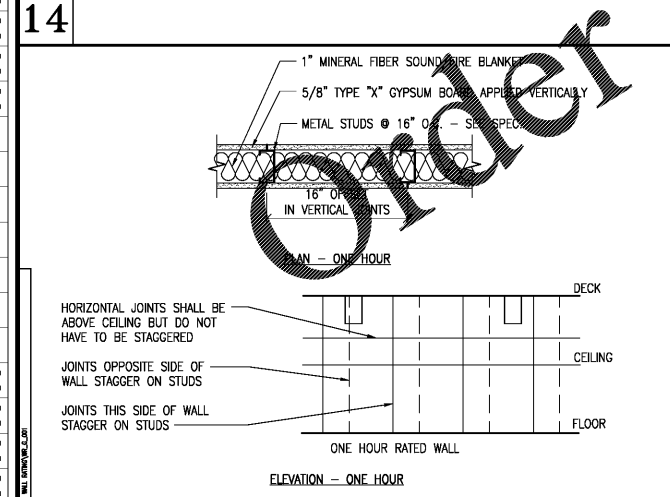
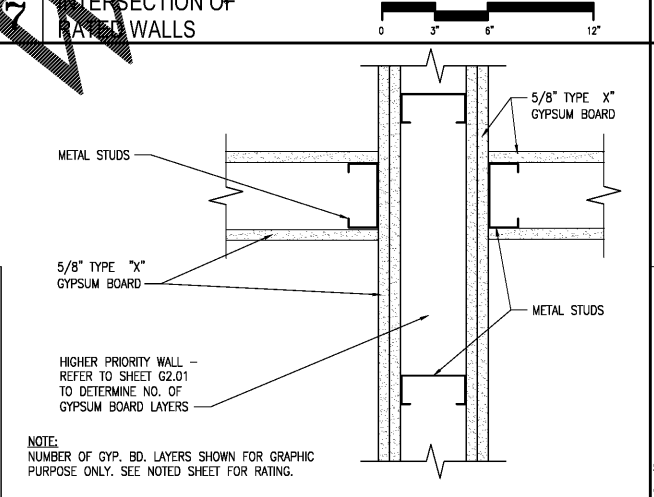
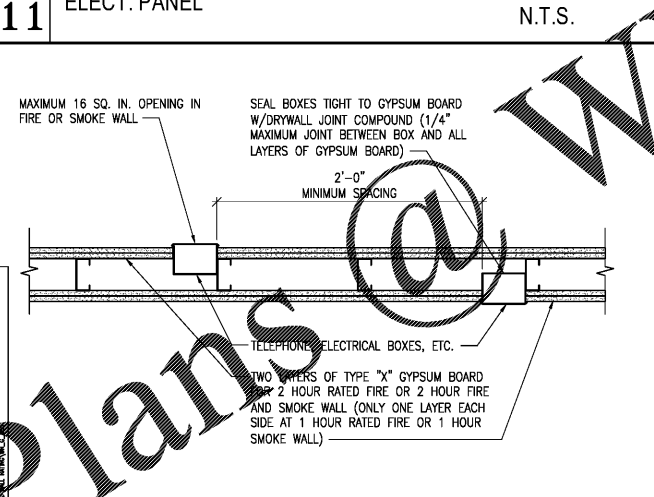
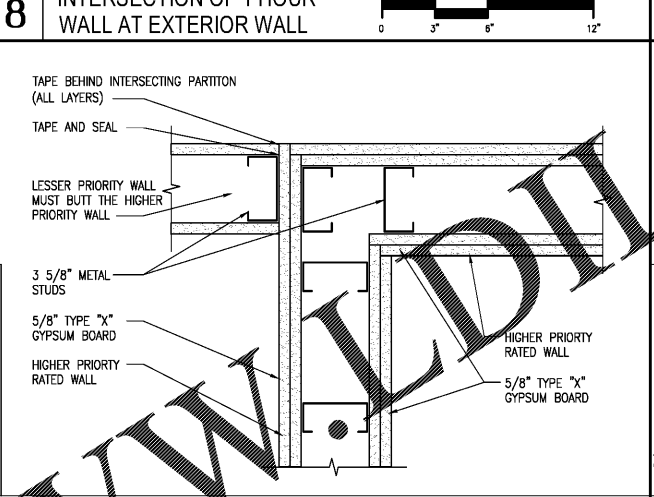
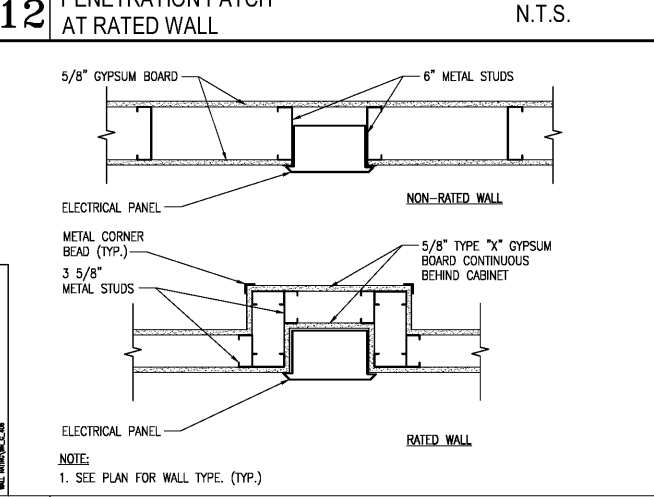
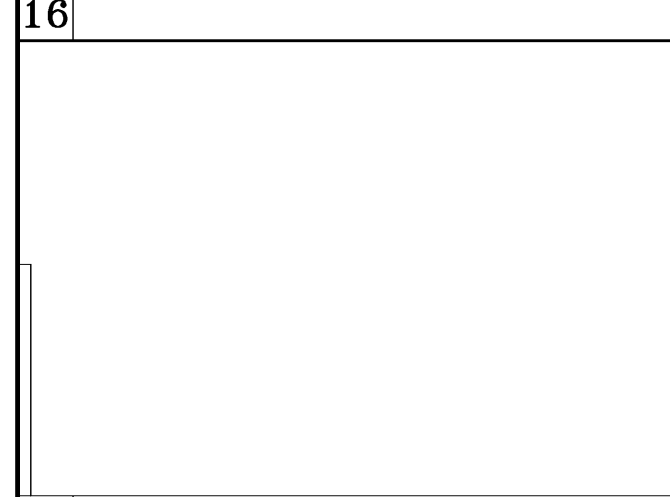
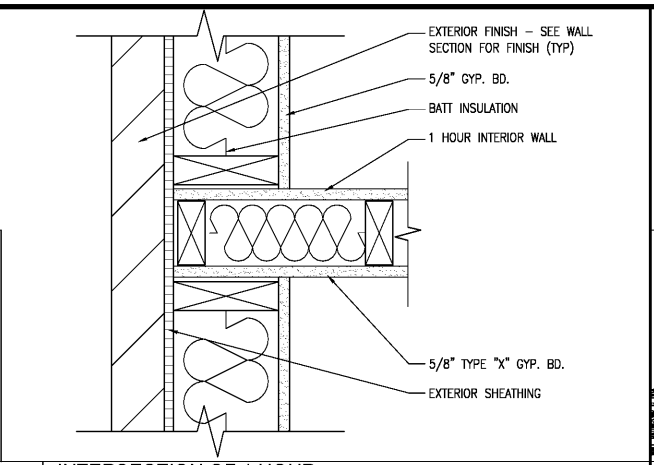
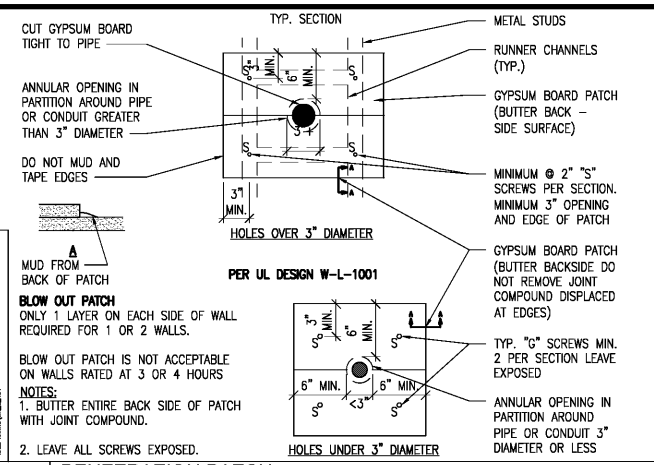
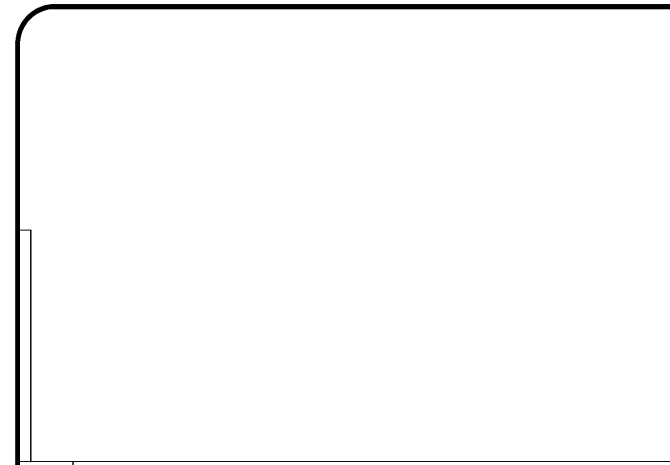
NO.	DATE	DESCRIPTION

REVISIONS

RATED WALL DETAILS

G2.02

ISSUE DATE: 11.12.19 JOB NUMBER: 19020



DRAWING CREATED: 6/5/2019 9:26 AM
LAST DRAWING UPDATE: 11/14/2019 10:07 AM
FILE NAME: 19020_G2.02.dwg
SCALE FACTOR: 1/8"

NO.	DATE	DESCRIPTION