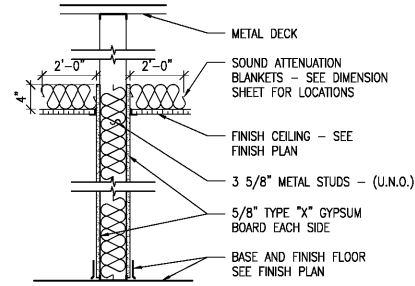


WALL DESIGNATIONS

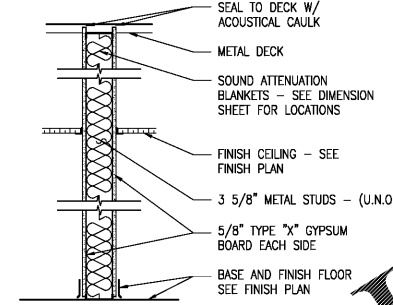
UNRATED PARTITION TO ABOVE CEILING

3 5/8" METAL STUDS @ 16" O.C. UNLESS NOTED OTHERWISE. ONE LAYER OF 5/8" TYPE "X" GYPSUM BOARD EACH SIDE. EXTEND GYPSUM BOARD TO A MINIMUM OF 4" ABOVE CEILING. SEAL BOTTOM OF WALLS CONTAINING SOUND ATTENUATION BLANKETS W/ ACOUSTICAL CAULK.



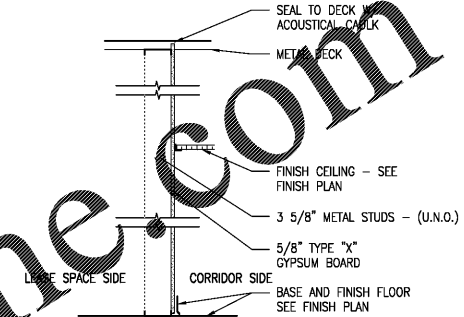
UNRATED PARTITION TO DECK

3 5/8" METAL STUDS @ 16" O.C. UNLESS NOTED OTHERWISE. ONE LAYER 5/8" TYPE "X" GYPSUM BOARD EACH SIDE. EXTEND GYPSUM BOARD TO DECK AND SEAL TOP & BOTTOM WITH ACOUSTICAL CAULK. SEAL ALL PENETRATIONS WITH ACOUSTICAL CAULK.
NOTE: CUT GYPSUM BOARD TO FIT TIGHTLY TO FLUTES IN DECK



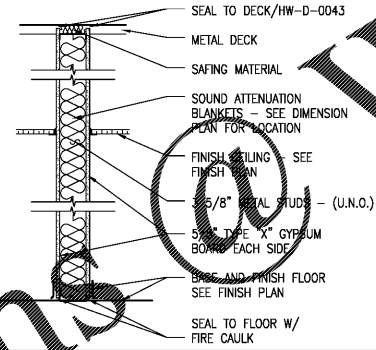
LEASE SPACE PARTITION

3 5/8" METAL STUDS @ 16" O.C. UNLESS NOTED OTHERWISE. EXTEND CORRIDOR SIDE LAYER OF 5/8" TYPE "X" GYPSUM BOARD TO DECK AND SEAL TOP AND BOTTOM WITH ACOUSTICAL CAULK. SEAL ALL PENETRATIONS WITH ACOUSTICAL CAULK.
NOTE: CUT GYPSUM BOARD TO FIT TIGHTLY TO FLUTES IN DECK



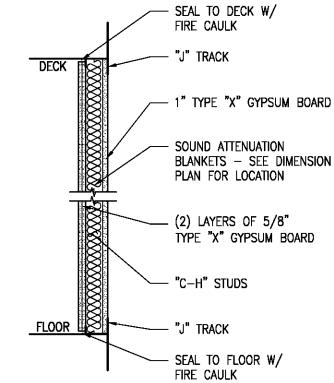
ONE HOUR FIRE BARRIER

3 5/8" METAL STUDS @ 16" O.C. UNLESS NOTED OTHERWISE. ONE LAYER 5/8" TYPE "X" GYPSUM BOARD EACH SIDE. EXTEND GYPSUM BOARD TO DECK AND FIRE CAULK TOP AND BOTTOM. SEAL ALL PENETRATIONS WITH FIRE CAULK.
NOTE: CUT GYPSUM BOARD TO FIT TIGHTLY TO FLUTES IN DECK
ONE HOUR RATING - U.L. DESIGN U465



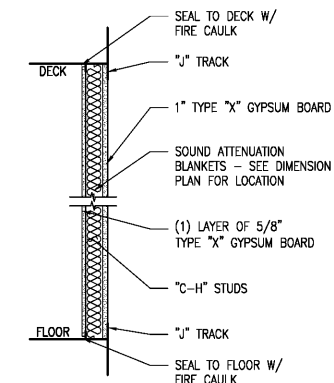
SHAFT BARRIER

2 1/2 (J OR C-H) METAL STUDS @ 16" O.C. UNLESS NOTED OTHERWISE. ONE LAYER OF 1" TYPE "X" GYPSUM BOARD AND TWO LAYERS OF 5/8" TYPE "X" GYPSUM BOARD.
TWO HOUR RATING 2 1/2" C-H STUDS - U.L. DESIGN U415



SHAFT BARRIER

2 1/2 (J OR C-H) METAL STUDS @ 16" O.C. UNLESS NOTED OTHERWISE. ONE LAYER OF 1" TYPE "X" GYPSUM BOARD AND ONE LAYER OF 5/8" TYPE "X" GYPSUM BOARD.
ONE HOUR RATING 2 1/2" C-H STUDS - U.L. DESIGN U415



DRAWING CREATED: 8/5/2019 8:32 AM
LAST DRAWING UPDATE: 11/14/2019 10:06 AM
FILE NAME: 18020_G201.dwg
SCALE FACTOR: 1:1

NO.	DATE	DESCRIPTION

Order Plans

www.LDILine.com



PRH
MEDICAL OFFICE BUILDING
NAPLES, FLORIDA

THIS DOCUMENT CONTAINS INFORMATION THAT IS UNCLASSIFIED EXCEPT WHERE SHOWN OTHERWISE. IF YOU HAVE ANY QUESTIONS ABOUT THIS DOCUMENT, CONTACT THE STOKES COLLABORATIVE, P.C. AT 7321 CROSSROADS BLVD BRENTWOOD, TN 37027. TEL: (615) 726-0910 FAX: (615) 726-0910 EMAIL: dsd@stokescoll.com WWW: www.dsccoll.com

STOKES COLLABORATIVE, P.C.
DSC ARCHITECTS
7321 CROSSROADS BLVD
BRENTWOOD, TN 37027
TEL: (615) 726-0910
FAX: (615) 726-0910
EMAIL: dsd@stokescoll.com
WWW: www.dscoll.com

REVISIONS		
NO.	DATE	DESCRIPTION

WALL DESIGNATIONS

G2.01

ISSUE DATE: 11.12.19 JOB NUMBER: 18020