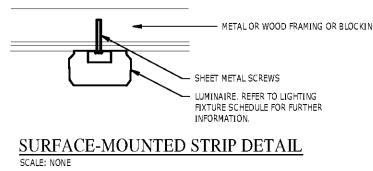
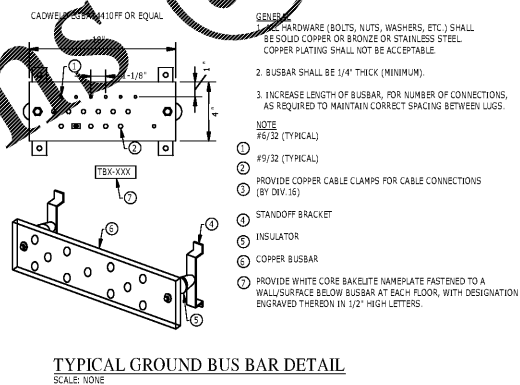
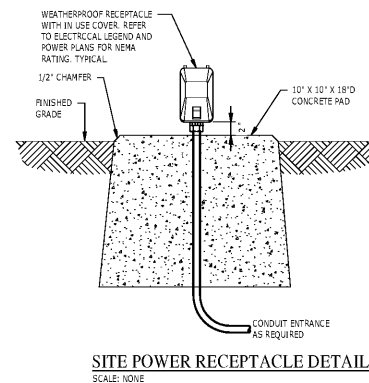
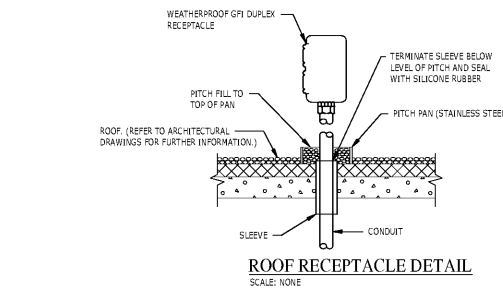
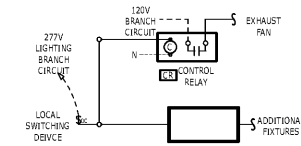
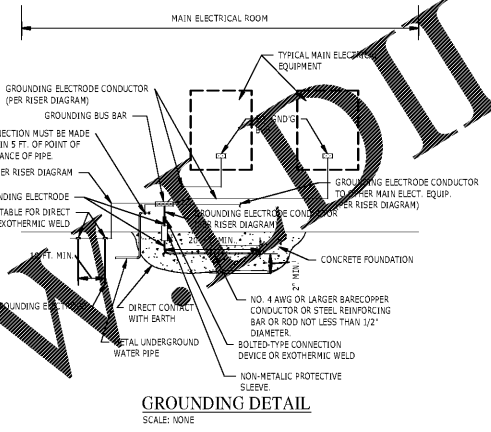
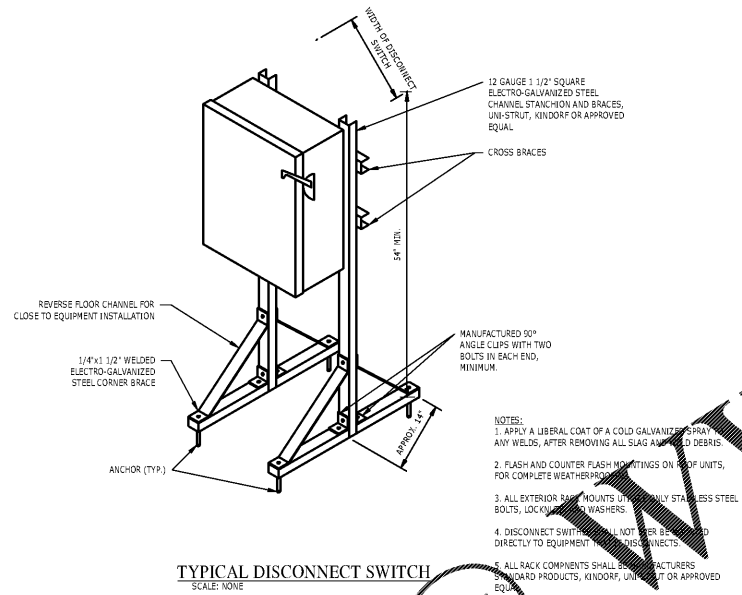
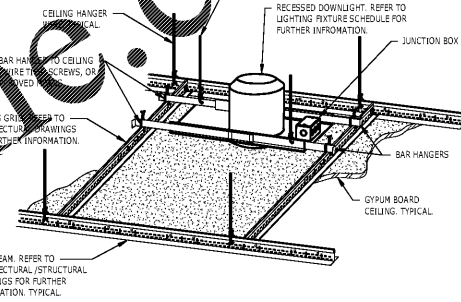
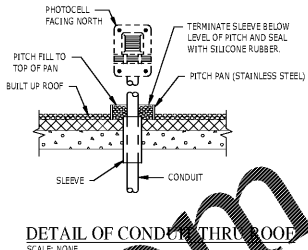
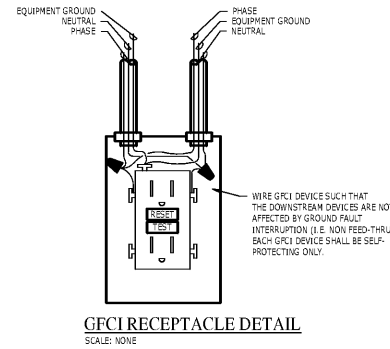
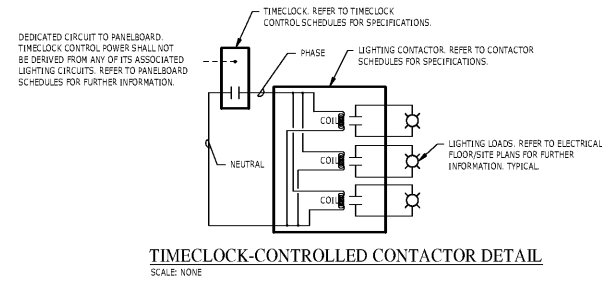


Order Plans @



1925 Prospect Ave.
Orlando, FL 32814
P (407) 661-9100
F (407) 661-9101
www.rp.com

Calacaci & Peterson
Architects Engineers Planners

OHM
ARCHITECTS ENGINEERS PLANNERS
10010 Avenue South 3rd Fl. P.O.
Miami, FL 33156
Tel: 305.444.1234 Fax: 305.444.1235
www.ohm.com

CLIENT NAME

PROJECT NAME
ROCKLEDGE MULTI-FAMILY
220 Baron Boulevard
Rockledge, FL 32955

SHEET TITLE
ELECTRICAL DETAILS

NOV 03, 2015

Revision Schedule	
No.	Description

PROJECT NO. 0540150010
DATE 20/04/07
DRAWN
CHECKED
Checked

E201

GMP PRICING SET