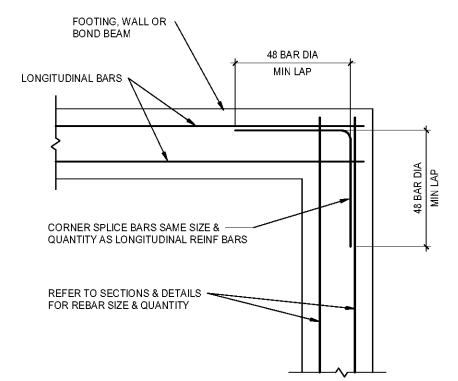
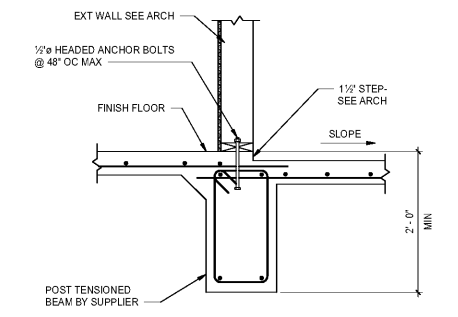


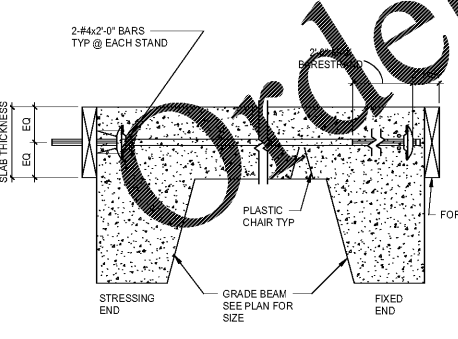
1 SCALE: 1 1/2" = 1'-0"



6 TYP CONTINUITY CORNER
SCALE: 1" = 1'-0"

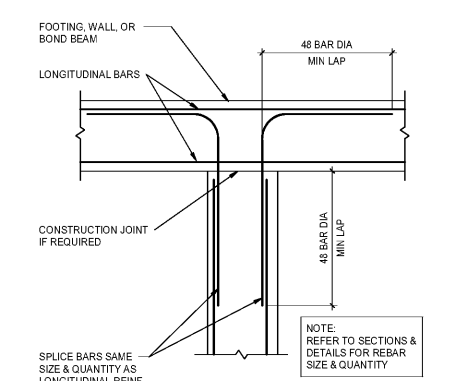


11 SECTION @ CORRIDOR
SCALE: 1" = 1'-0"

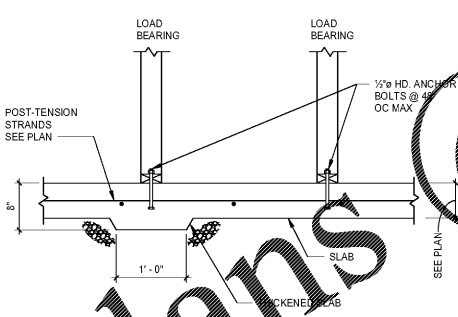


16 TYP TENDON ANCHORAGE
SCALE: 1" = 1'-0"

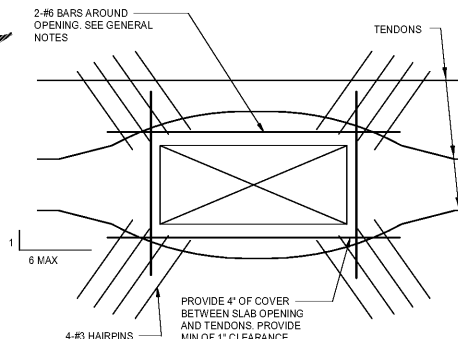
2 TYP STEPPED FOOTING
SCALE: 1" = 1'-0"



7 TYP CONTINUITY INT
SCALE: 1" = 1'-0"



12 SLAB @ PARTITION
SCALE: 1" = 1'-0"



17 TENDONS @ SLAB OPENINGS
SCALE: 1" = 1'-0"

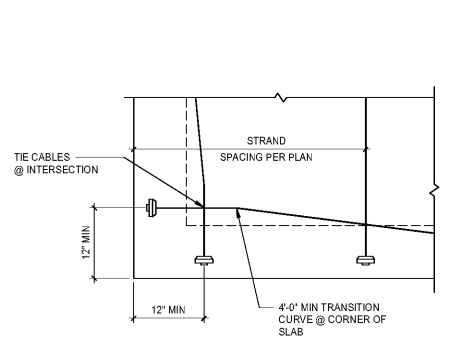
4 SECTION
SCALE: 1" = 1'-0"



9 SCALE: 1" = 1'-0"

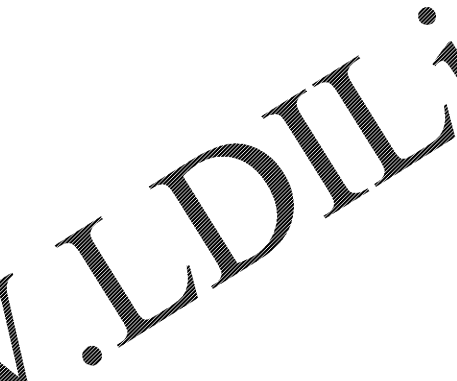


13 SCALE: 1" = 1'-0"

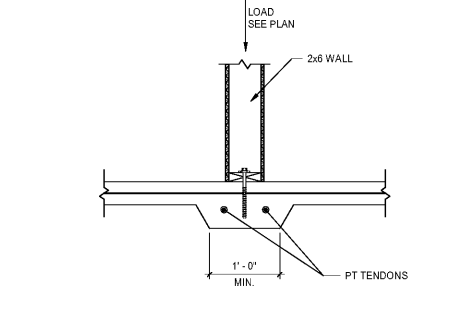


18 TYPICAL SLAB CORNER
SCALE: 1" = 1'-0"

5 SECTION
SCALE: 1" = 1'-0"



14 SECTION
SCALE: 1" = 1'-0"

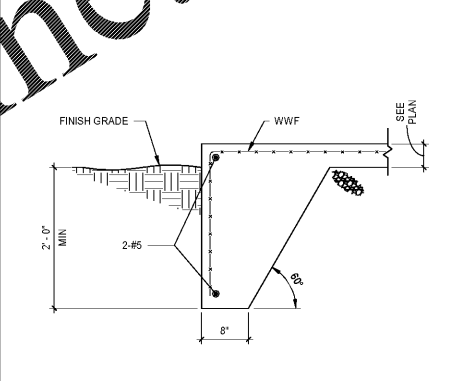


15 SECTION
SCALE: 1" = 1'-0"



19 SCALE: 1" = 1'-0"

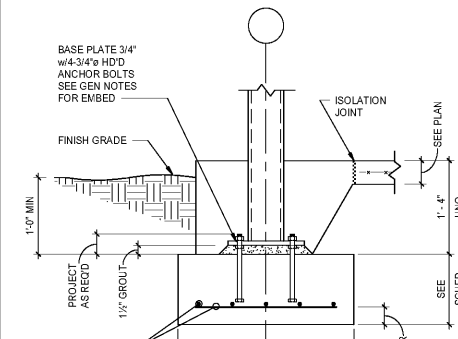
10 TURNED DOWN SLAB
SCALE: 1" = 1'-0"



20 TYP EXTERIOR COLUMN
SCALE: 1" = 1'-0"



20 TYP EXTERIOR COLUMN
SCALE: 1" = 1'-0"



20 TYP EXTERIOR COLUMN
SCALE: 1" = 1'-0"

Order Plans @

WWW.LDILine.com

1925 Prospect Ave.
Orlando, FL 32814
P (407) 661-9100
F (407) 661-9101
www.cfp.com

Chaloi & Peterson
Architects Engineers Planners

OHM
ARCHITECTS ENGINEERS PLANNERS

2200 Avenue of the Americas
New York, NY 10028
P: 212-693-1200 F: 212-693-1202
www.ohm.com

CLIENT NAME
HUTTON DEVELOPMENT

PROJECT NAME
ROCKLEDGE FLATS - BUILDING D

2200 Barton Boulevard
Rockledge, FL 32955

SHEET TITLE
SECTIONS AND DETAILS

10-15-2011

Revision Schedule	
No.	Description

PROJECT NO. 210072	DATE 2/10/11
DRAWN EMC	CHECKED EMC

S201

GMP PRICING SET 15 NOVEMBER 2019

19181-RC19