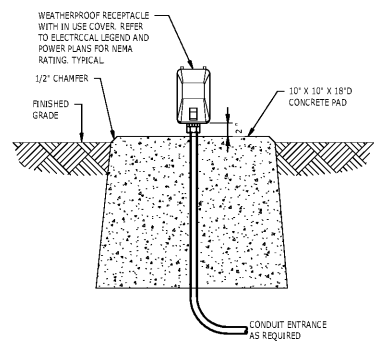
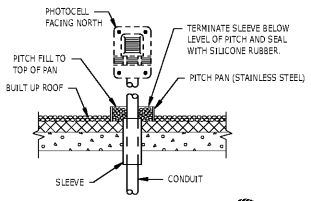


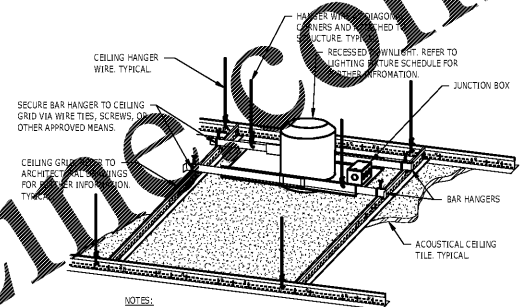
GROUNDING DETAIL
SCALE: NONE



SITE POWER RECEPTACLE DETAIL
SCALE: NONE



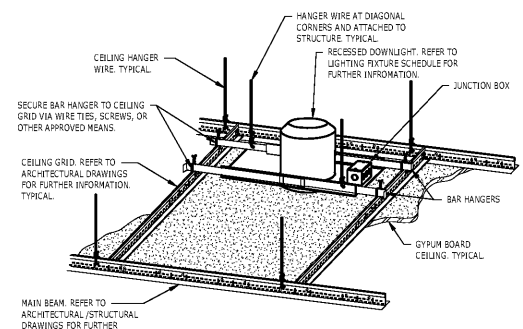
DETAIL OF CONDUIT THROUGH ROOF
SCALE: NONE



DOWNLIGHT IN ACOUSTICAL TILE CEILING
SCALE: NONE

- NOTES:**
1. FIXTURE SUPPORTS SHALL BE IN ACCORDANCE WITH N.E.C.
 2. PROVIDE INDEPENDENT SUPPORTS TO THE STRUCTURE AS REQUIRED BY LOCAL ORDINANCES.
 3. FIXTURES RECESSED IN FIRE-RATED ASSEMBLIES SHALL BE PROVIDED WITH LISTED, PREPARED, FIRE-RATED ENCLOSURES. SITE-PREPARED ENCLOSURES SHALL NOT BE AN ACCEPTABLE METHOD OF MAINTAINING THE RATING OF THE CEILING ASSEMBLY.

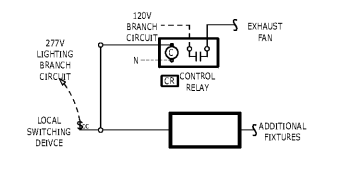
DOWNLIGHT IN GYPSUM BOARD CEILING
SCALE: NONE



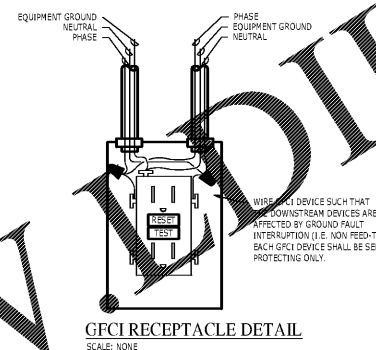
DOWNLIGHT IN GYPSUM BOARD CEILING
SCALE: NONE

- NOTES:**
1. FIXTURE SUPPORTS SHALL BE IN ACCORDANCE WITH N.E.C.
 2. PROVIDE INDEPENDENT SUPPORTS TO THE STRUCTURE AS REQUIRED BY LOCAL ORDINANCES.
 3. FIXTURES RECESSED IN FIRE-RATED ASSEMBLIES SHALL BE PROVIDED WITH LISTED, PREPARED, FIRE-RATED ENCLOSURES. SITE-PREPARED ENCLOSURES SHALL NOT BE AN ACCEPTABLE METHOD OF MAINTAINING THE RATING OF THE CEILING ASSEMBLY.

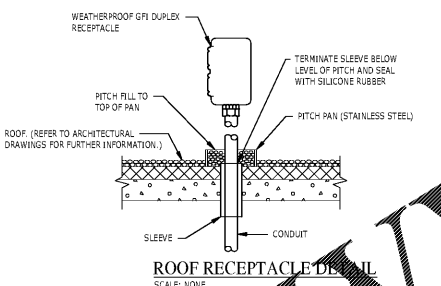
DOWNLIGHT IN GYPSUM BOARD CEILING
SCALE: NONE



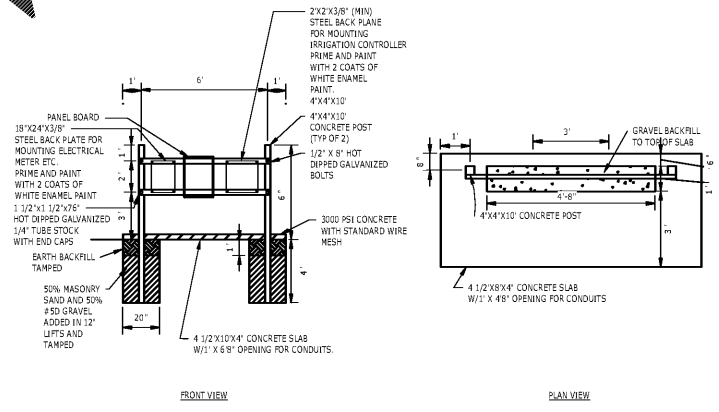
EXHAUST FAN CONTROL RELAY DETAIL
SCALE: NONE



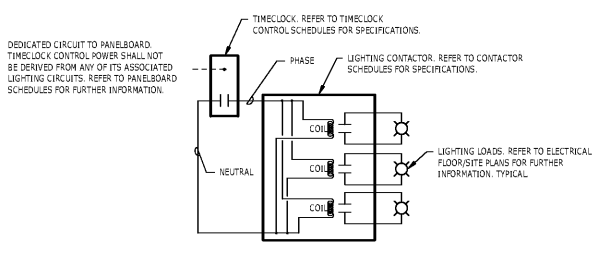
GFCI RECEPTACLE DETAIL
SCALE: NONE



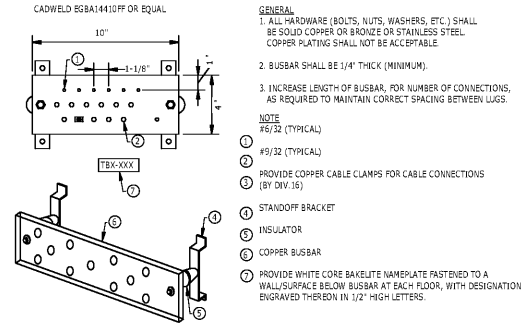
ROOF RECEPTACLE DETAIL
SCALE: NONE



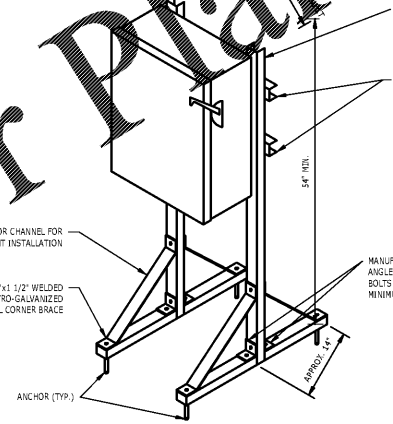
MOUNTING DETAIL
SCALE: NONE



TIMECLOCK-CONTROLLED CONTACTOR DETAIL
SCALE: NONE



TYPICAL GROUND BUS BAR DETAIL
SCALE: NONE



TYPICAL DISCONNECT SWITCH
SCALE: NONE

- NOTES:**
1. APPLY A LIBERAL COAT OF A COLD GALVANIZED SPRAY TO ANY WELDS, AFTER REMOVING ALL SLAG AND WELD DEBRIS.
 2. FLASH AND COUNTER FLASH MOUNTINGS ON ROOF UNITS, FOR COMPLETE WEATHERPROOFING.
 3. ALL EXTERIOR RACK MOUNTS UTILIZE ONLY STAINLESS STEEL BOLTS, LOCKNUTS, AND WASHERS.
 4. DISCONNECT SWITCHES SHALL NOT EVER BE MOUNTED DIRECTLY TO EQUIPMENT THAT IT DISCONNECTS.
 5. ALL RACK COMPONENTS SHALL BE MANUFACTURERS STANDARD PRODUCTS, KINDORF, UNI-STRUT OR APPROVED EQUAL.

Order Plans @

www.drawing.com

1925 Prospect Ave.
Orlando, FL 32814
P (407) 661-9100
F (407) 661-9101
www.rpt.com

Calacaci & Peterson
Architects Engineers Planners

OHM
ARCHITECTS ENGINEERS PLANNERS
10010 Avenue South 3rd Fl. #10
Naples, FL 34109
Tel: 813.486.2114 Fax: 813.486.2115
www.ohm.com

CLIENT NAME
HUTTON DEVELOPMENT

PROJECT NAME
ROCKLEDGE FLATS - BUILDING C
220 Baron Boulevard
Rockledge, FL 32955

SHEET TITLE
ELECTRICAL DETAILS

DATE
NOV 02, 2015

No.	Description	Date

PROJECT NO.
054015010

DATE
20/04/2015

DESIGNER
CHECKED
DATE

E201

GMP PRICING SET