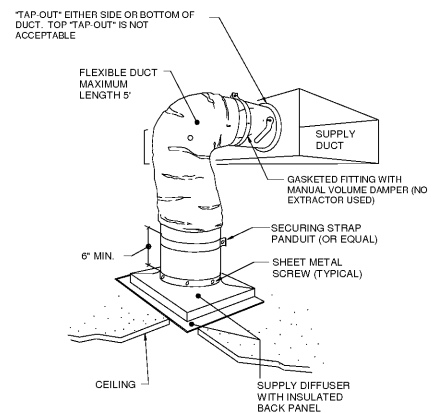
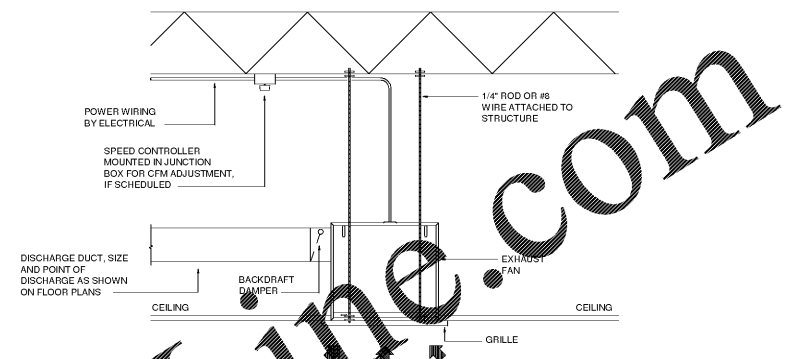


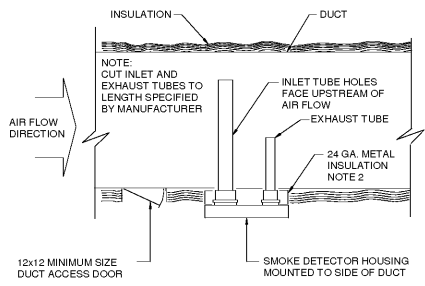
01M103 RETURN/EXHAUST CONNECTION TO GRILL  
NO SCALE



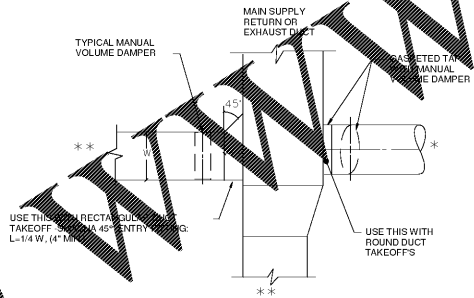
01M102 SUPPLY CONNECTION TO SUPPLY DIFFUSER  
NO SCALE



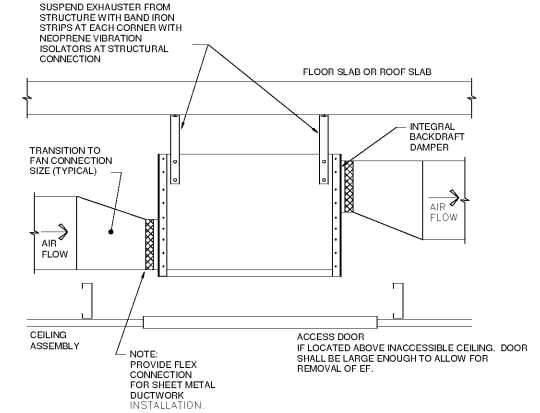
01M101 CEILING EXHAUST FAN  
NO SCALE



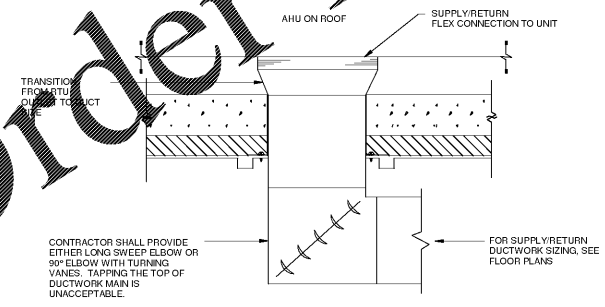
01M110 DUCT MOUNTED SMOKE DETECTOR  
NO SCALE



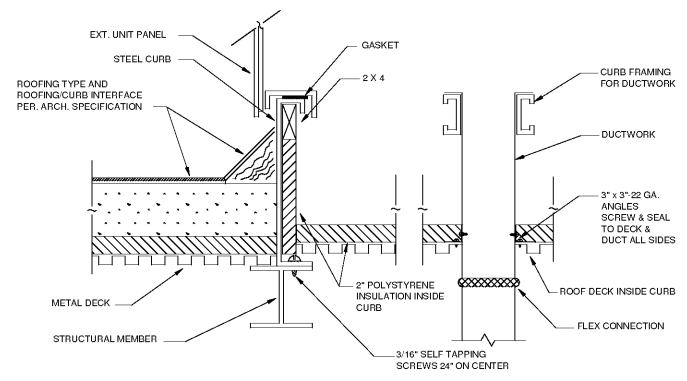
01M104 LOW PRESSURE CONNECTION DETAIL  
NO SCALE



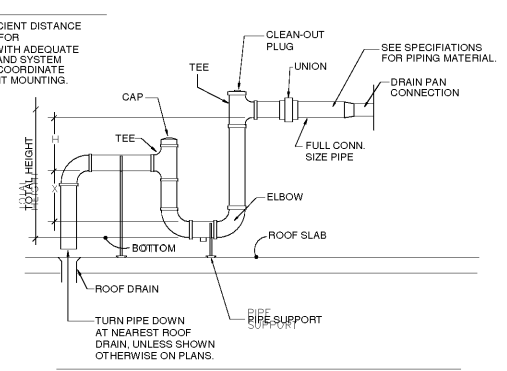
04M104 IN-LINE EXHAUST FAN INSTALLATION  
NO SCALE



08M138 DUCT DROP FROM RTU  
NO SCALE



08M102 AC UNIT ROOF CURB  
NO SCALE



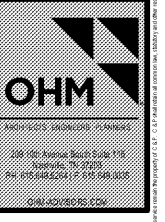
02M102 AC UNIT CONDENSATE DRAIN PIPING  
NO SCALE

Order Plans

WWW.LDILINE.COM

1925 Prospect Ave.  
Orlando, FL 32814  
P (407) 661-9100  
F (407) 661-9101  
www.lpi.com

**Calaci & Peterson**  
Architects Engineers Planners



CLIENT NAME  
**HUTTON DEVELOPMENT**

PROJECT NAME  
**ROCKLEDGE FLATS - BUILDING C**  
220 Baron Boulevard  
Rockledge, FL 32955

SHEET TITLE  
**MECHANICAL DETAILS**

NOV 15, 2015

No.	Description	Date

PROJECT NO. 0540150010	DATE 20/04/16	DRAWN [Signature]	CHECKED [Signature]
---------------------------	------------------	----------------------	------------------------

M501

GMP PRICING SET