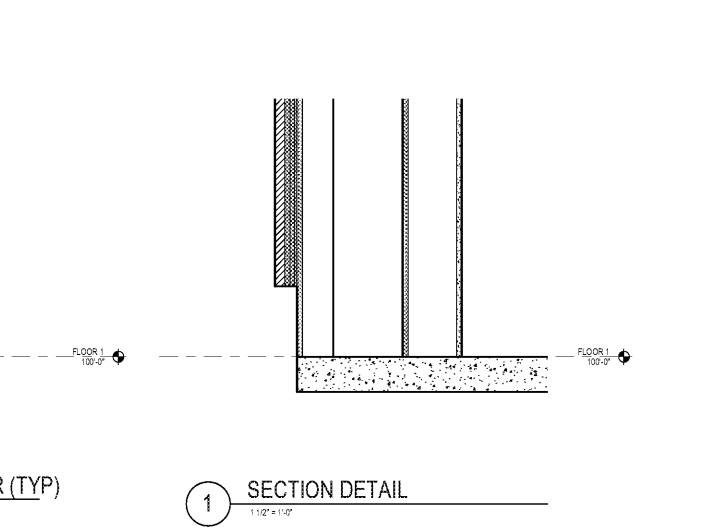
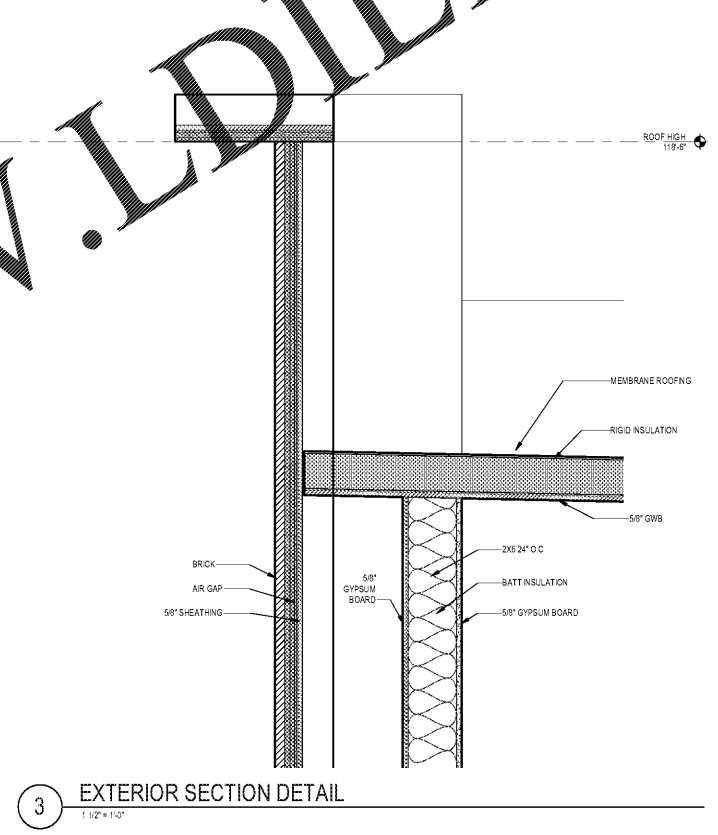
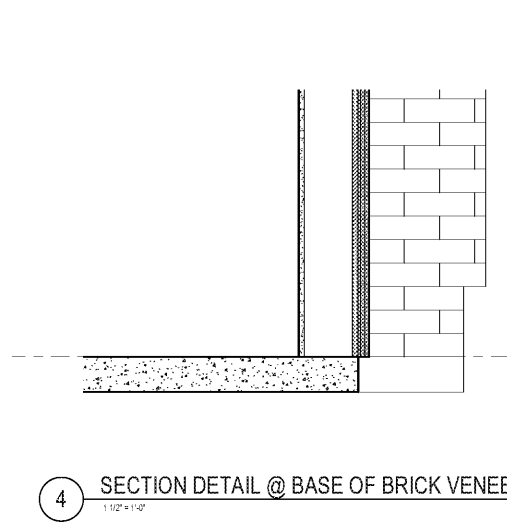
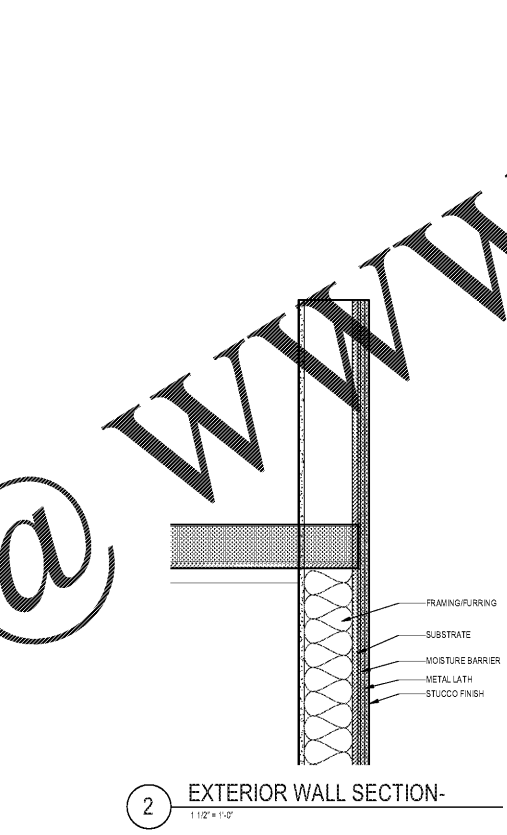
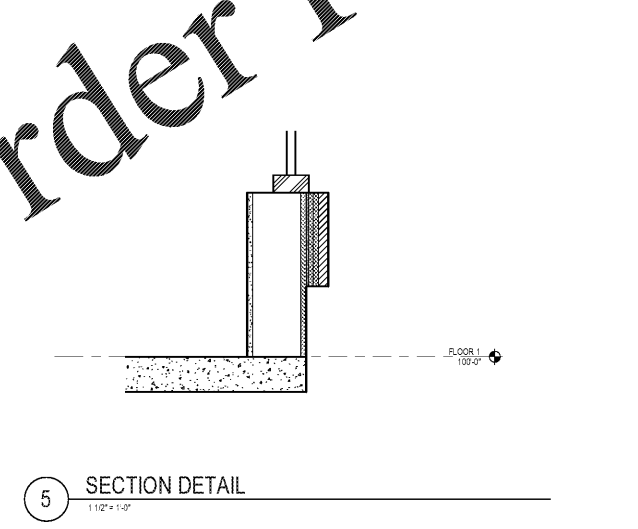
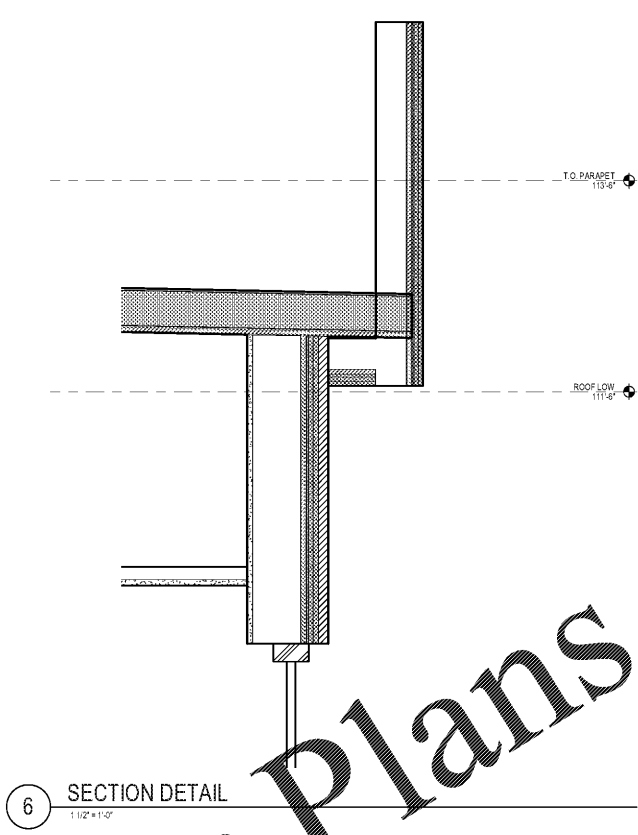
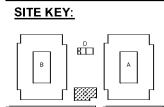
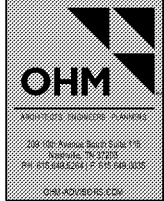


Order Plans @ WWW.LDILine.com



1925 Prospect Ave.
Orlando, FL 32814
P (407) 661-9100
F (407) 661-9101
www.r.p.com



CLIENT NAME
HUTTON DEVELOPMENT
756 Cherry Street
Chattanooga, TN 37402

PROJECT NAME
ROCKLEDGE FLATS - BUILDING C
220 Barton Boulevard
Rockledge, FL 32955

SHEET TITLE
SECTION / ELEVATION DETAILS

| Revision Schedule | |
|-------------------|-------------|
| No. | Description |
| | |
| | |

PROJECT NO. 21002
DATE 20/08/10
DRAWN
CHECKED
NOV 03, 2015

GMP PRICING SET 15 NOVEMBER 2019

A-511