

HEADER SCHED

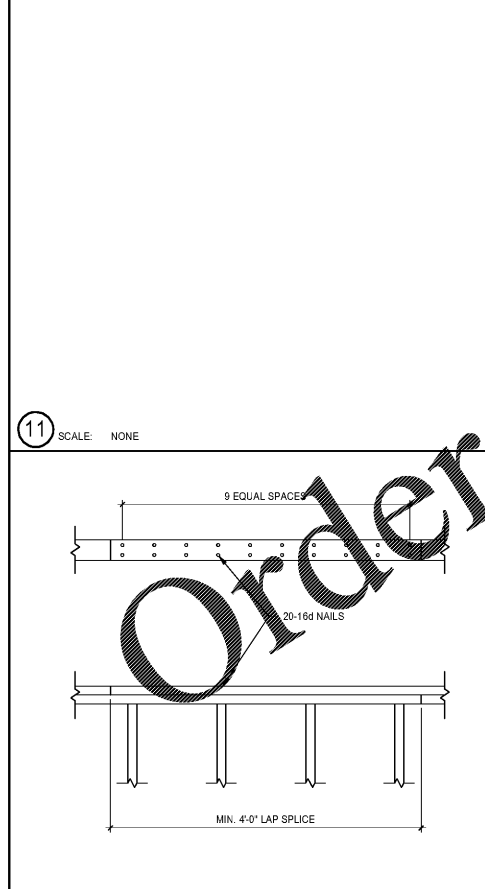
MAX SPAN	SIZE REQ'D	SUPPORT CONDITION
0 TO 2'-11"	2-2x6	
3'-0" TO 4'-5"	2-2x8	
4'-6" TO 5'-11"	2-2x10	
6'-0" TO 7'-5"	2-2x12	
7'-6" TO 9'-0"	2-12" LVL	

1 HEADER SCHEDULE
SCALE: 1" = 1'-0"

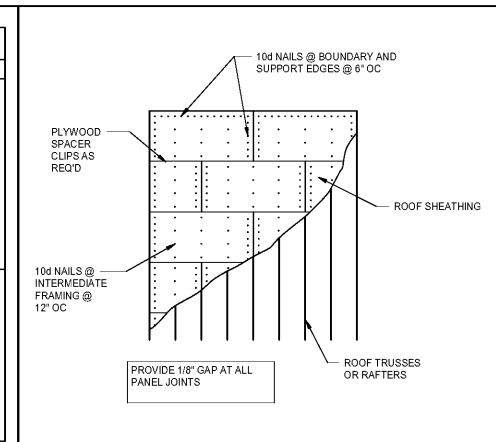
NAILING SCHED

CONNECTION	FASTENER	NUMBER OR SPACING
JOIST TO BAND JOIST FACE NAIL	16D COMMON	3
JOIST TO GIRDER JOIST END	8D COMMON	3
BRESSING TO JOIST TOE NAIL EACH END	8D COMMON	2
LEADER STRIP	16D COMMON	3 AT EACH JOIST
1st SUBFLOOR OR LESS TO EA JOIST FACE NAIL	8D COMMON	2
OVER 1st SUBFLOOR TO EA JOIST FACE NAIL	8D COMMON	3
2nd SUBFLOOR TO JOIST OR GIRDER, BLIND & FACE NAIL	8D COMMON	2
SOLE PLATE TO JOIST OR BLOCKING, FACE NAIL	16D COMMON	10" OC
TOP OR SOLE PLATE, TOE NAILED	16D COMMON	2
STUD TO SOLE PLATE, TOE NAIL	10D COMMON	4
DOUBLED STUDS, FACE NAIL	16D COMMON	24" OC
DOUBLE TOP PLATES FACE NAIL	16D COMMON	10" OC
TOP PLATES, LAP AND INTERSECTIONS FACE NAIL	16D COMMON	2-16D OR 4-10D COMMON
CONTINUOUS HEADER TWO PIECES	16D COMMON	10" OC ALONG EACH EDGE
CEILING JOISTS TO PLATES TOE NAIL	8D COMMON	3
CONTINUOUS HEADER TO STUD TOE NAIL	8D COMMON	3
CEILING JOISTS OVER PARTITION, FACE NAIL	16D COMMON	5-16D OR 4-10D COMMON
CEILING JOIST TO PARALLEL RAFTERS, FACE NAIL	16D COMMON	5-16D OR 4-10D COMMON
RAFTER TO PLATE, TOE NAIL	8D COMMON	3
1-INCH BRACE TO EACH STUD & PLATE, FACE NAIL	8D COMMON	2
1/8" SHEATHING OR LESS TO EA BEARING, FACE NAIL	8D COMMON	2
OVER 1/8" SHEATHING TO EACH BEARING, FACE NAIL	8D COMMON	3
BUILT UP CORNER STUDS EACH BEARING, FACE NAIL	16D COMMON	24" OC
BUILT UP GIRDERS & BEAMS, OF THREE MEMBERS	20D COMMON	5" OC AT TOP & BOTTOM & STAGGERED 2 ENDS AT EACH BRIDGE
3-INCH PLANKS	16D COMMON	2 EACH BEARING
STUDS TO SOLE PLATE, END NAIL	16D COMMON	2 EACH END

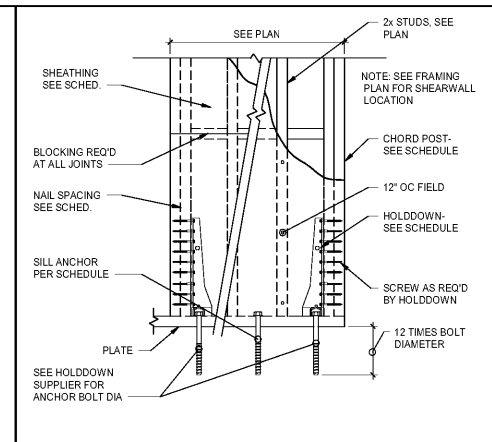
11 SCALE: NONE



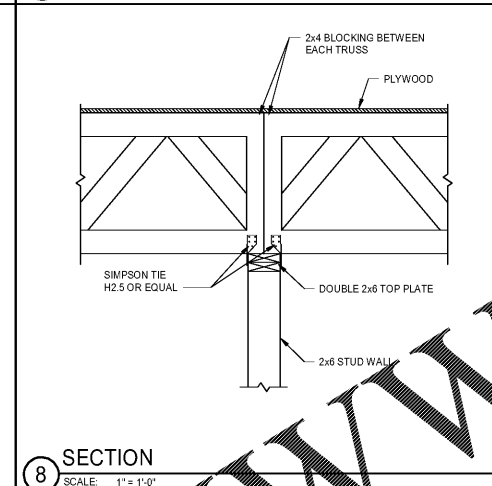
16 TOP PLATE SPLICE DETAIL
SCALE: NONE



2 DETAIL
SCALE: NONE



3 SHEARWALL DETAIL
SCALE: 1" = 1'-0"



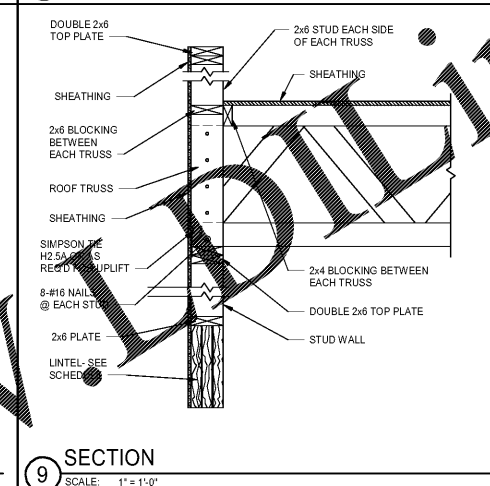
8 SECTION
SCALE: 1" = 1'-0"

HOLD-DOWN SCHEDULE

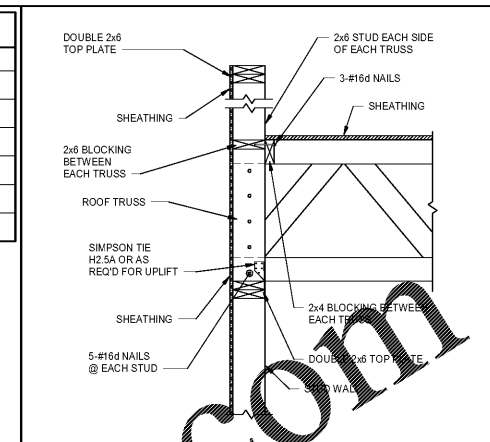
LEVEL	HOLD-DOWN	CHORD POST	CAPACITY (LBS)
FDN	HOU2-SDS2.5	(2)2x6	3,075

NOTE: CAPACITY IS SERVICE LEVEL

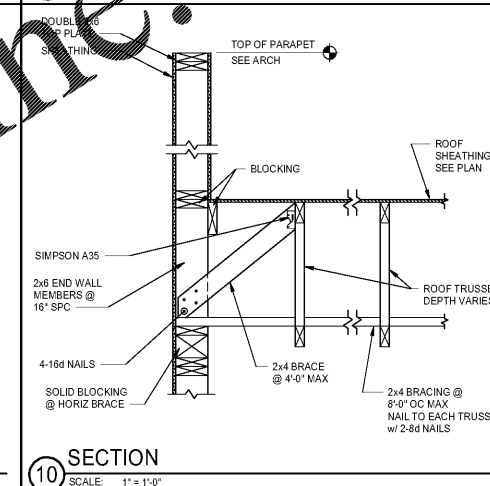
4 HOLDDOWN SCHEDULE
SCALE: 1" = 1'-0"



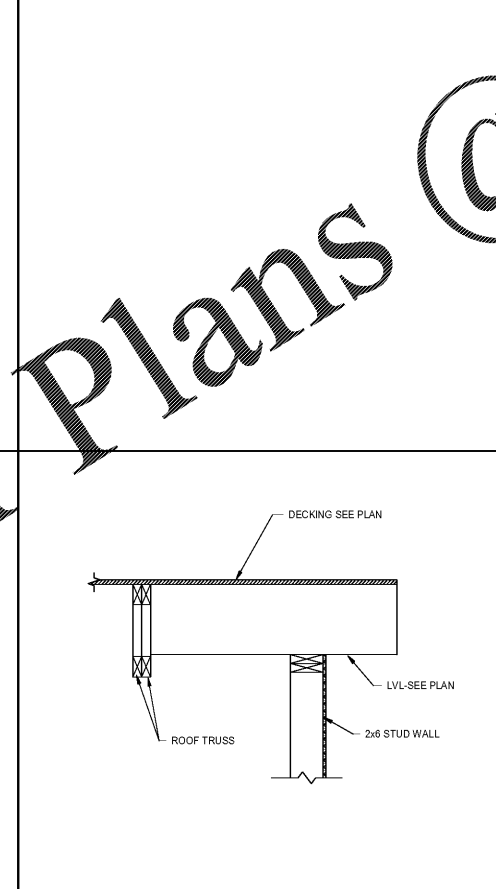
9 SECTION
SCALE: 1" = 1'-0"



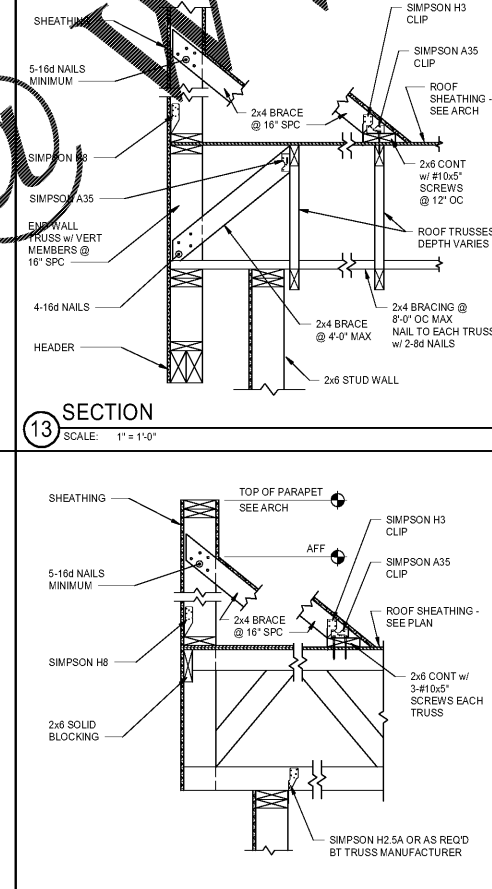
5 SECTION
SCALE: 1" = 1'-0"



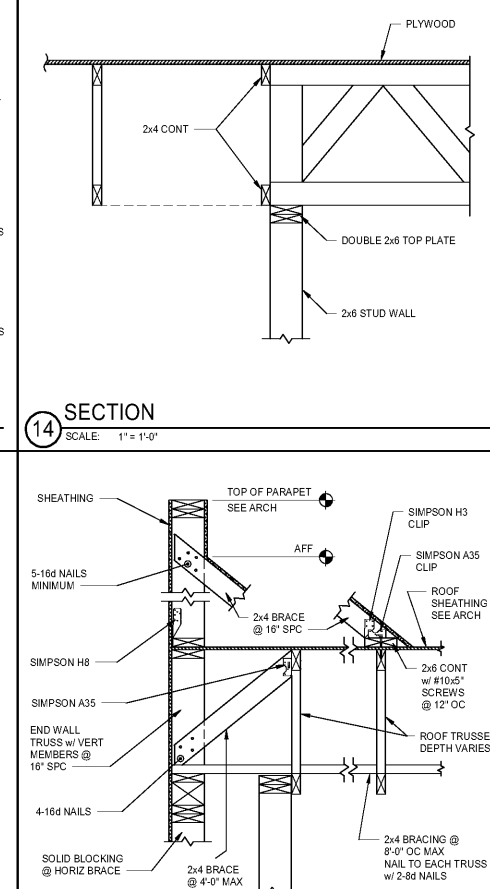
10 SECTION
SCALE: 1" = 1'-0"



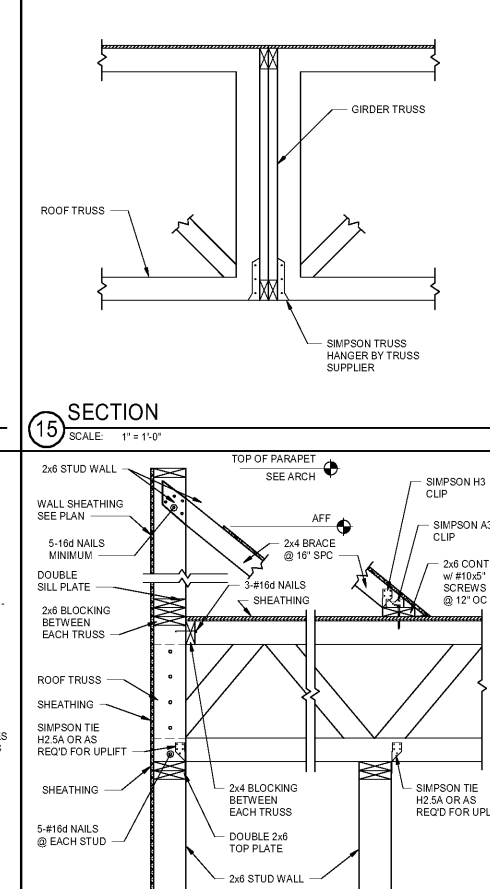
17 SECTION
SCALE: 1" = 1'-0"



18 SECTION
SCALE: 1" = 1'-0"



19 SECTION
SCALE: 1" = 1'-0"



20 SECTION
SCALE: 1" = 1'-0"

1925 Prospect Ave.
Orlando, FL 32814
P (407) 661-9100
F (407) 661-9101
www.c&p.com

200 2nd Avenue South, Suite 110
Tampa, FL 33602
P (813) 288-2200
F (813) 288-2211
www.ohm.com

HUTTON DEVELOPMENT

ROCKLEDGE FLATS - BUILDING C
220 Barton Boulevard
Rockledge, FL 32955

FRAMING DETAILS

PROJECT NO. 06015000
DATE 20/09/19
DRAWN E.M.C.
CHECKED S.M.C.
DATE

S301

GMP PRICING SET SET 15 NOVEMBER 2019