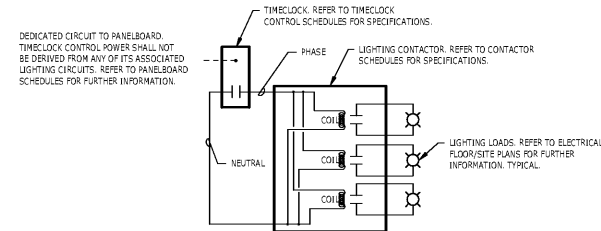
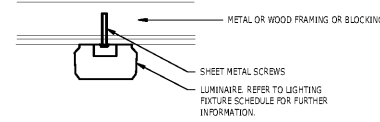


**TYPICAL DISCONNECT SWITCH**  
SCALE: NONE

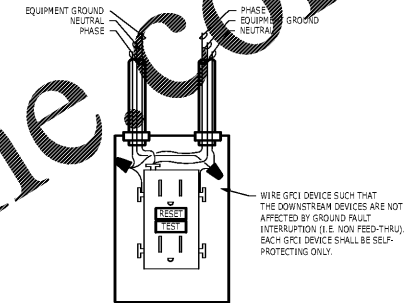
- NOTES:**
1. APPLY A LIBERAL COAT OF A COLD GALVANIZED SPRAY TO ANY WELDS, AFTER REMOVING ALL SLAG AND WELD DEBRIS.
  2. FLASH AND COUNTER FLASH MOUNTINGS ON ROOF UNITS, FOR COMPLETE WEATHERPROOFING.
  3. ALL EXTERIOR RACK MOUNTS UTILIZE ONLY STAINLESS STEEL BOLTS, LOCKNUTS, AND WASHERS.
  4. DISCONNECT SWITCHES SHALL NOT EVER BE MOUNTED DIRECTLY TO EQUIPMENT THAT IT DISCONNECTS.
  5. ALL RACK COMMENTS SHALL BE MANUFACTURERS STANDARD PRODUCTS, KINDOOF, UNI-STROU OR APPROVED EQUAL.



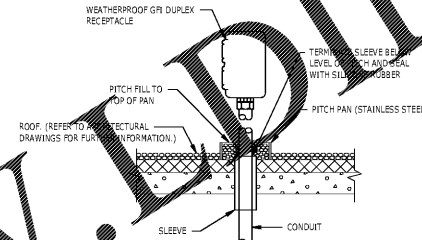
**TIMELOCK-CONTROLLED CONTACTOR DETAIL**  
SCALE: NONE



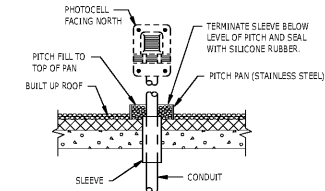
**SURFACE-MOUNTED STRIP DETAIL**  
SCALE: NONE



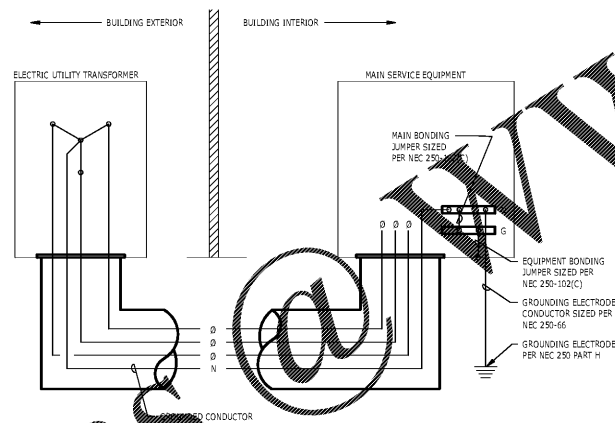
**GFCI RECEPTACLE DETAIL**  
SCALE: NONE



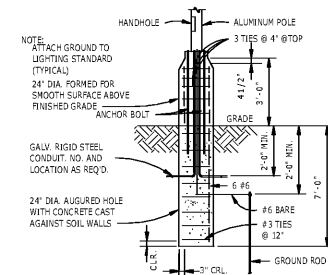
**ROOF RECEPTACLE DETAIL**  
SCALE: NONE



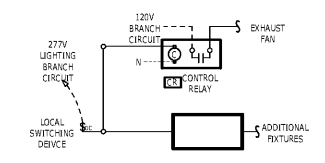
**DETAIL OF CONDUIT THRU ROOF**  
SCALE: NONE



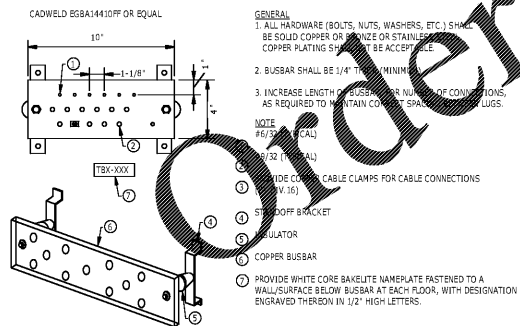
**SERVICE ENTRANCE (MAIN SWITCHBOARD) GROUNDING DETAIL**  
SCALE: NONE



**LIGHTING POLE FOUNDATION**  
SCALE: NONE

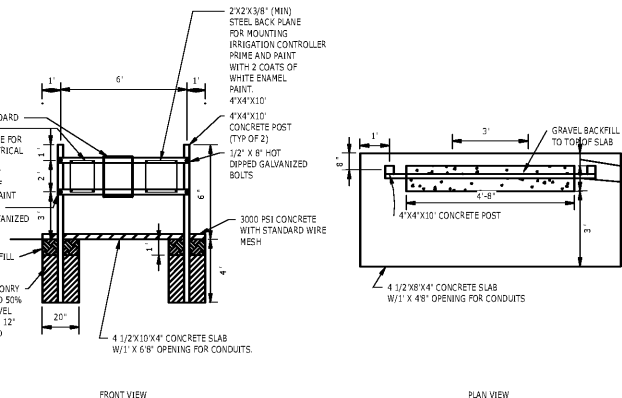


**EXHAUST FAN CONTROL RELAY DETAIL**  
SCALE: NONE

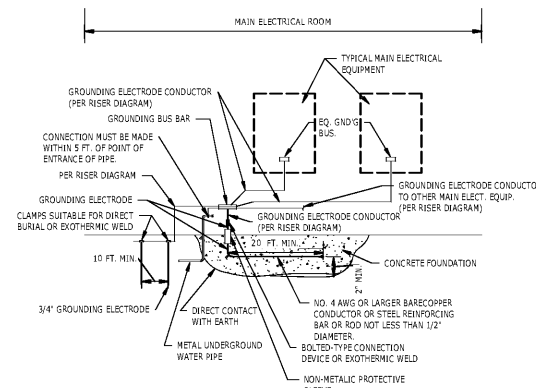


**TYPICAL GROUND BUS BAR DETAIL**  
SCALE: NONE

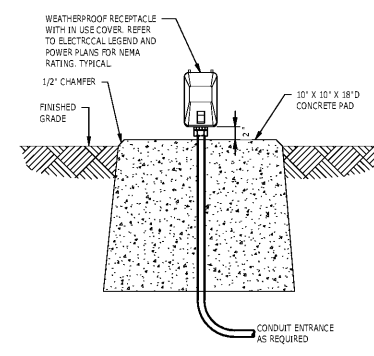
- GENERAL:**
1. ALL HARDWARE (BOLTS, NUTS, WASHERS, ETC.) SHALL BE SOLID COPPER OR STAINLESS STEEL OR STAINLESS COPPER PLATING SHALL BE ACCEPTABLE.
  2. BUSBAR SHALL BE 1/4\"/>



**MOUNTING DETAIL**  
SCALE: NONE



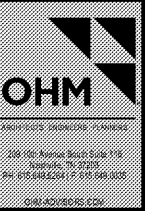
**GROUNDING DETAIL**  
SCALE: NONE



**SITE POWER RECEPTACLE DETAIL**  
SCALE: NONE

1925 Prospect Ave.  
Orlando, FL 32814  
P (407) 661-9100  
F (407) 661-9101  
www.rp.com

**Calacaci & Peterson**  
Architects Engineers Planners



CLIENT NAME  
**ROCKLEDGE MULTI-FAMILY**

PROJECT NAME  
**ROCKLEDGE MULTI-FAMILY**  
220 Baron Boulevard  
Rockledge, FL 32955

REVISIONS

NO.	DESCRIPTION	DATE

PROJECT NO. 0540-15/070  
DATE 20/04/10  
DRAWN  
CHECKED  
DATE

E901

GMP PRICING SET