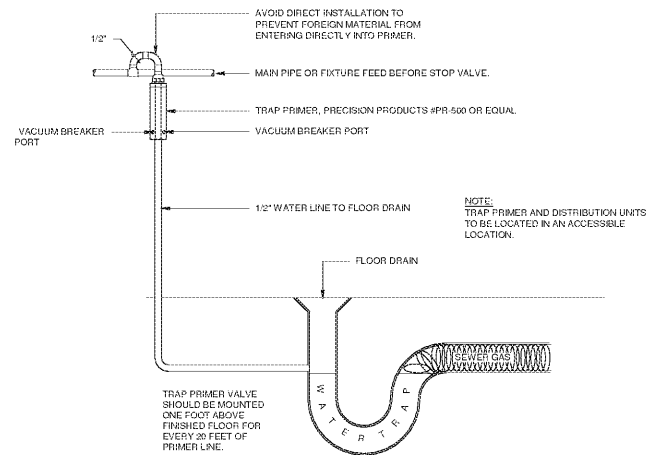
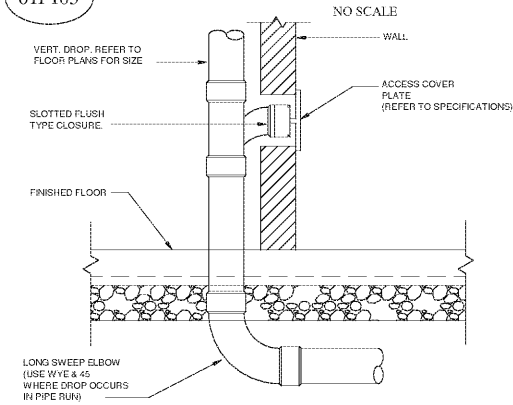


Order Plans @



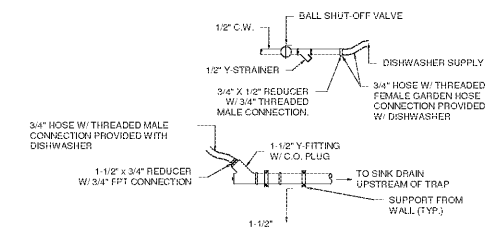
TRAP PRIMER

01P105



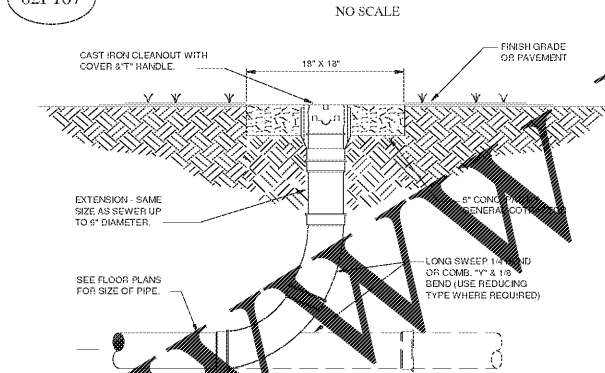
CONCEALED WASTE LINE DROP AT GRADE

03P100



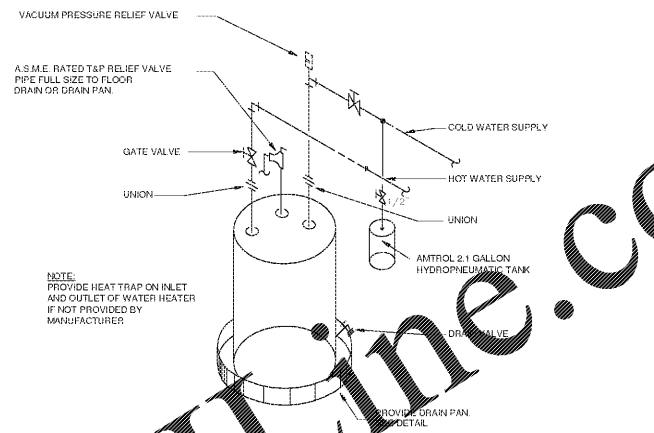
DISHWASHER INSTALLATION

02P107



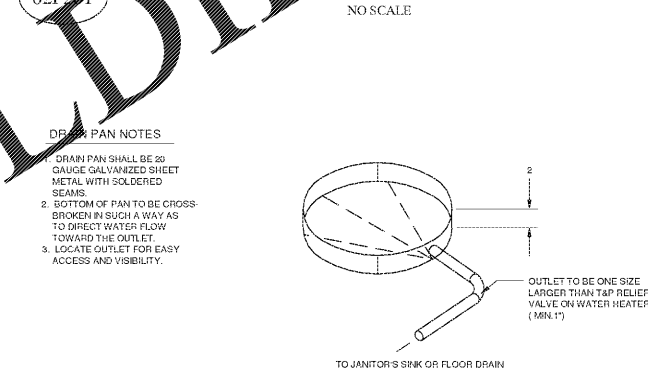
EXTERIOR CLEAN-OUT

03P101



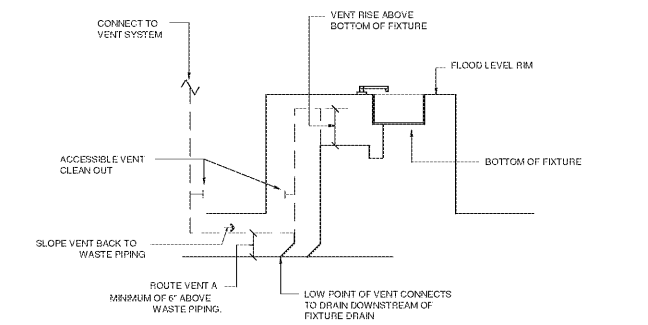
ELECTRIC WATER HEATER (FLOOR MTD)

02P201



WATER HEATER DRAIN PAN

02P210



ISLAND VENT PIPING DETAIL

03P106

1925 Prospect Ave.  
Orlando, FL 32814  
P (407) 661-9100  
F (407) 661-9101  
www.lpdilme.com



12000 Avenue 2000, Suite 100  
Orlando, FL 32827  
Tel: (407) 661-9100  
Fax: (407) 661-9101

CLIENT NAME

PROJECT NAME  
ROCKLEDGE MULTI-FAMILY  
220 Baron Boulevard  
Rockledge, FL 32955

No.	Description	Date

PROJECT NO.  
05015/010  
DATE  
20/01/15  
DRAWN  
RUBIN  
CHECKED

NOV 02, 2015  
PLUMBING DETAILS  
GMP PRICING SET