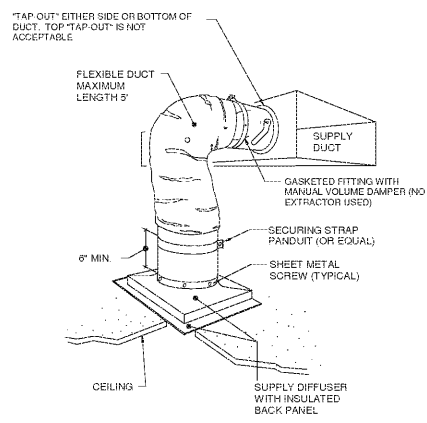
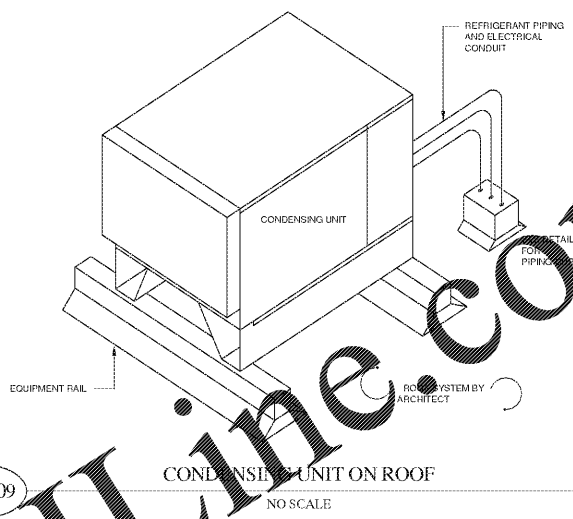


02M102 AC UNIT CONDENSATE DRAIN PIPING NO SCALE



01M102 SUPPLY CONNECTION TO SUPPLY DIFFUSER NO SCALE



08M109 CONDENSING UNIT ON ROOF NO SCALE

Order Plans @ www.LDILine.com

1925 Prospect Ave.
Orlando, FL 32814
P (407) 661-9100
F (407) 661-9101
www.lp.com

Chalaci & Peterson
Architects Engineers Planners



CLIENT NAME
CLIENT NAME

PROJECT NAME
ROCKLEDGE MULTI-FAMILY
220 Baron Boulevard
Rockledge, FL 32955

SHEET TITLE
MECHANICAL DETAILS

Revision Schedule	
No.	Description

PROJECT NO. 05015/010	DATE 20/01/15	DESIGNER MURAZ	CHECKED Chalaci
--------------------------	------------------	-------------------	--------------------

M502

GMP PRICING SET