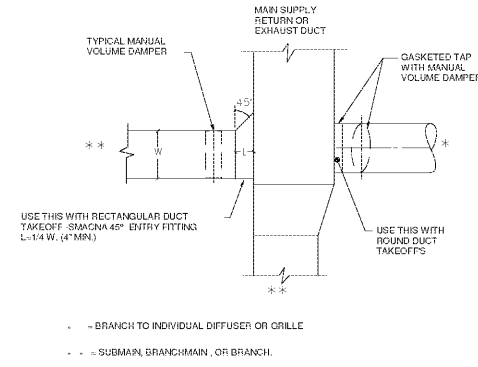
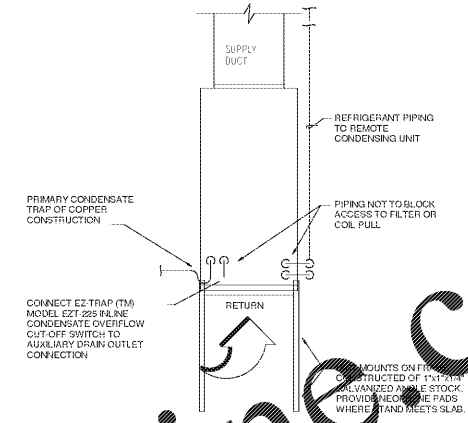


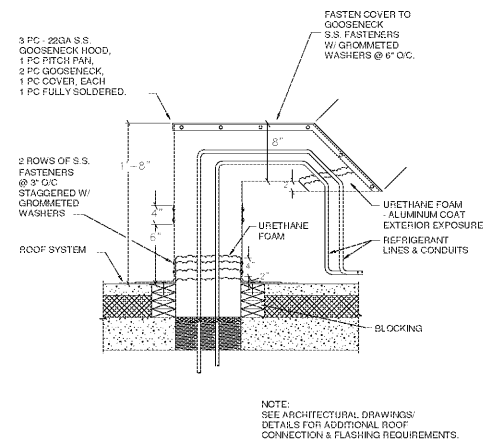
04M101 CEILING EXHAUST FAN
NO SCALE



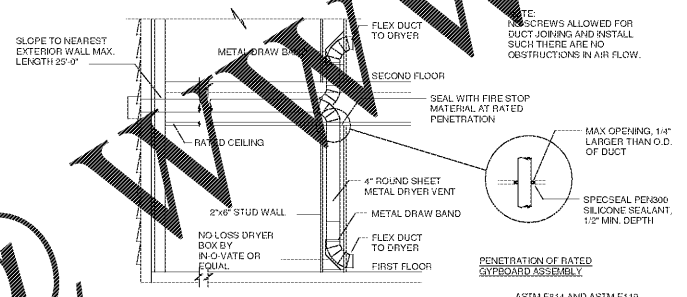
01M104 LOW PRESSURE CONNECTION DETAIL
NO SCALE



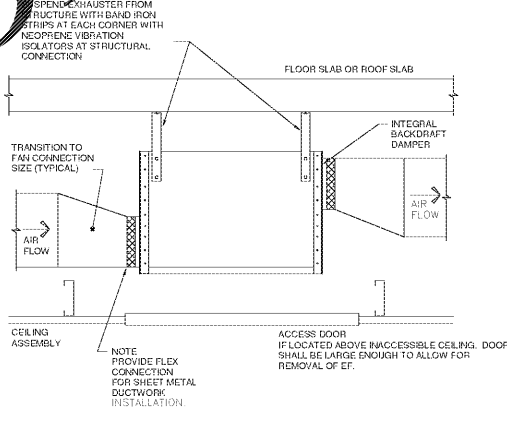
02M111 VERTICAL A/C UNIT DETAIL (NON-DUCTED RETURN)
NO SCALE



07M111 REFRIGERANT ROOF PENETRATION
NO SCALE



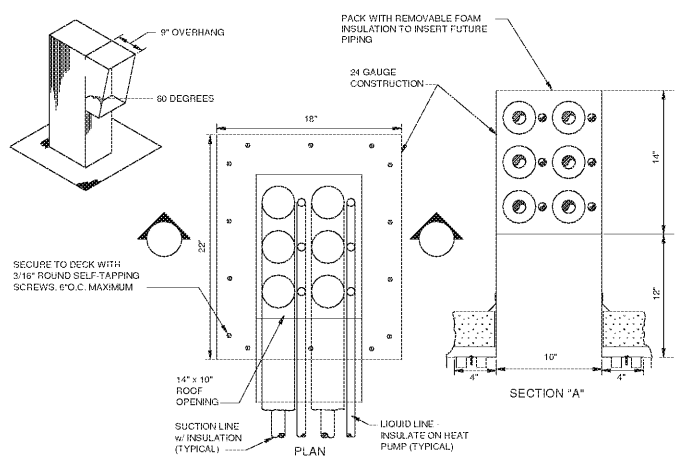
01M113 TYPICAL DRYER VENT DETAIL
NO SCALE



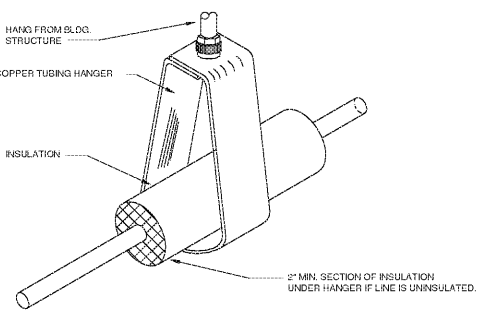
04M104 IN-LINE EXHAUST FAN INSTALLATION
NO SCALE

Order Plans

02M117 SPLIT SYSTEM AC UNIT AIR HANDLER
NO SCALE



07M101 REFRIGERANT PIPE CURB
NO SCALE



07M102 REFRIGERANT LINE HANGER
NO SCALE

1925 Prospect Ave.
Orlando, FL 32814
P (407) 661-9100
F (407) 661-9101
www.rp.com

Chalaci & Peterson
Architects Engineers Planners

OHM
ORLANDO HUB MODEL

CLIENT NAME
ROCKLEDGE MULTI-FAMILY
220 Baron Boulevard
Rockledge, FL 32955

MECHANICAL DETAILS

PROJECT NO.	DATE	DESCRIPTION	DATE
05015/010	05/15/10	REVISED	
05015/015	05/11/10	REVISED	
05015/020	05/11/10	REVISED	
05015/025	05/11/10	REVISED	
05015/030	05/11/10	REVISED	
05015/035	05/11/10	REVISED	
05015/040	05/11/10	REVISED	
05015/045	05/11/10	REVISED	
05015/050	05/11/10	REVISED	
05015/055	05/11/10	REVISED	
05015/060	05/11/10	REVISED	
05015/065	05/11/10	REVISED	
05015/070	05/11/10	REVISED	
05015/075	05/11/10	REVISED	
05015/080	05/11/10	REVISED	
05015/085	05/11/10	REVISED	
05015/090	05/11/10	REVISED	
05015/095	05/11/10	REVISED	
05015/100	05/11/10	REVISED	