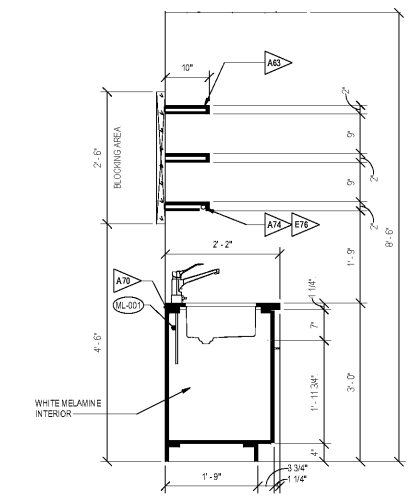
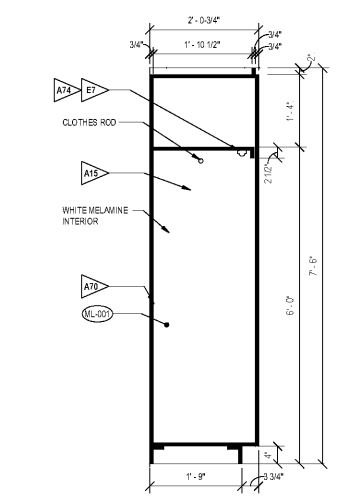


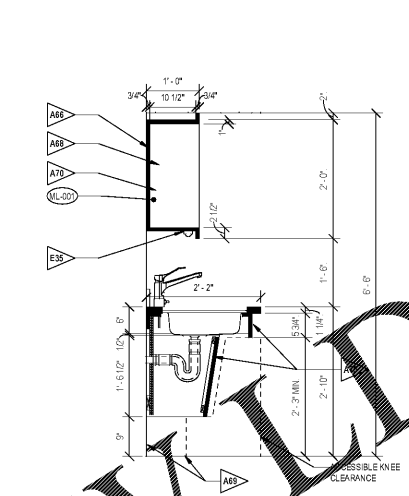
15 KITCHEN MILLWORK SECTION
3/4" x 1'-0"



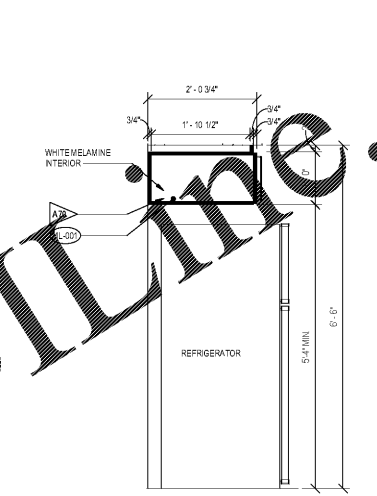
12 KITCHEN MILLWORK SECTION
3/4" x 1'-0"



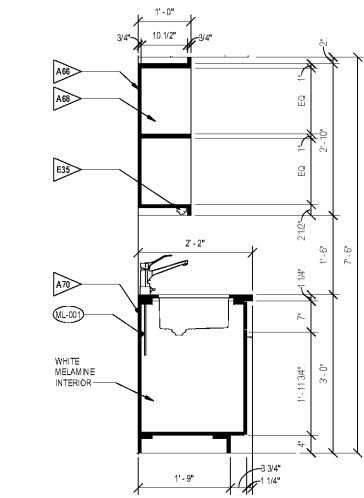
9 KITCHEN MILLWORK SECTION
3/4" x 1'-0"



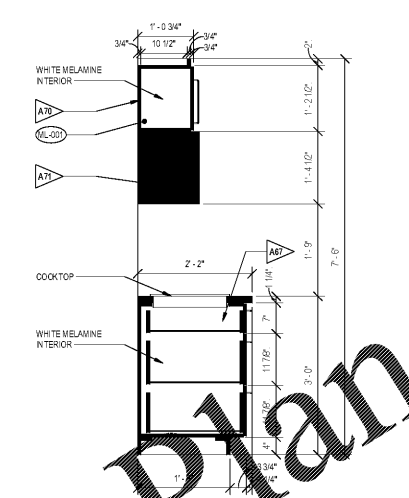
10 KITCHEN MILLWORK SECTION
3/4" x 1'-0"



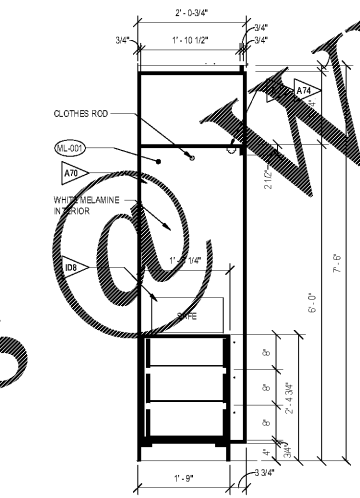
3 KITCHEN MILLWORK SECTION
3/4" x 1'-0"



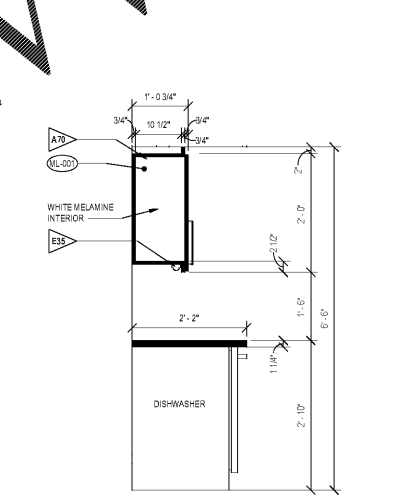
14 KITCHEN MILLWORK SECTION
3/4" x 1'-0"



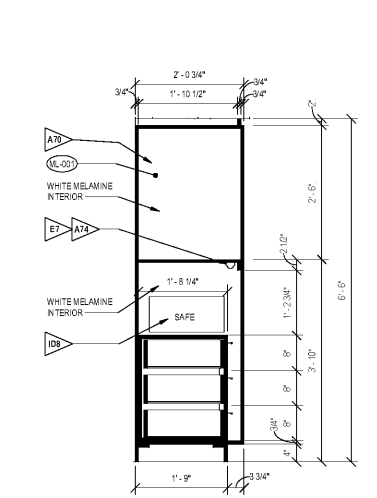
11 KITCHEN MILLWORK SECTION
3/4" x 1'-0"



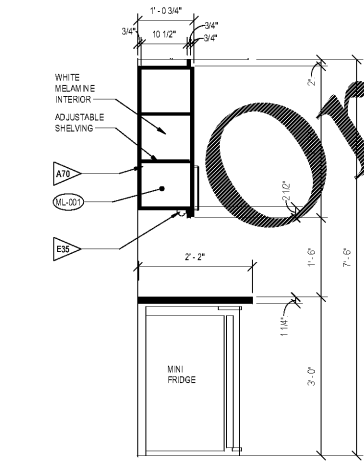
8 KITCHEN MILLWORK SECTION
3/4" x 1'-0"



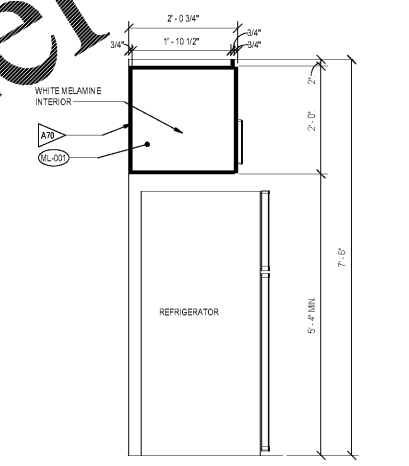
5 KITCHEN MILLWORK SECTION
3/4" x 1'-0"



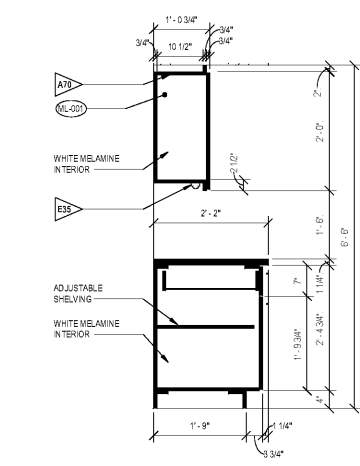
2 KITCHEN MILLWORK SECTION
3/4" x 1'-0"



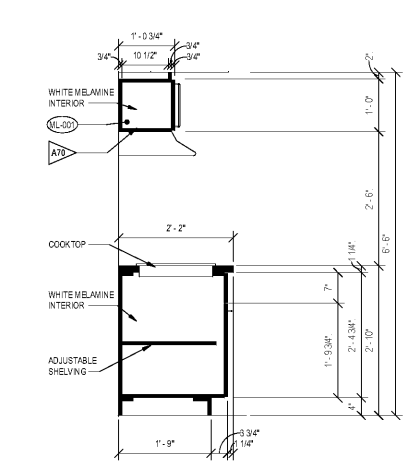
13 KITCHEN MILLWORK SECTION
3/4" x 1'-0"



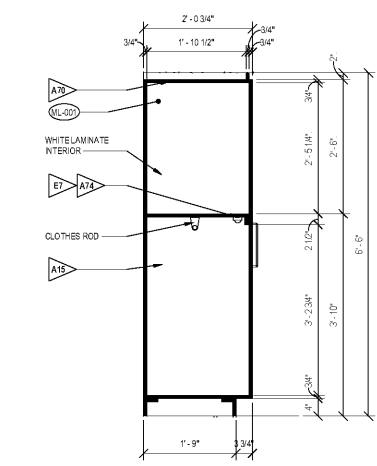
10 KITCHEN MILLWORK SECTION
3/4" x 1'-0"



7 KITCHEN MILLWORK SECTION
3/4" x 1'-0"



4 KITCHEN MILLWORK SECTION
3/4" x 1'-0"



1 KITCHEN MILLWORK SECTION
3/4" x 1'-0"

REVISIONS	
No.	Description

PROJECT NO.	21002
DATE	20/11/10
DESIGNER	
CHECKED	

PROJECT NAME	ROCKLEDGE FLATS - BUILDING B
CLIENT	HUTTON DEVELOPMENT
PROJECT ADDRESS	1220 Baron Boulevard Rockledge, FL 32955
SHEET TITLE	KITCHEN CASEWORK DETAILS
DATE	NOV 02, 2015

PROJECT NO.	21002
DATE	20/11/10
DESIGNER	
CHECKED	

NOV 02, 2015

REFERENCE NOTES

A. REFER TO DESIGN STANDARDS, "GUESTROOMS" CHAPTER FOR MAIN REQUIREMENTS RELATED TO THIS SHEET. ARCHITECT IS RESPONSIBLE FOR DESIGNING PROJECT IN ACCORDANCE WITH THE ENTIRE DESIGN STANDARDS.

GENERAL NOTES

1. PROVIDE BLOCKING AS REQUIRED FOR MILLWORK, WALL HUNG CABINETS AND SHELVING.

A0 ARCHITECTURAL

A63 BRACKET CONCEALED BY SHELF. PROVIDE HEAVY-DUTY FLOATING SHELF CONCEALED HARDWARE. PROVIDE BLOCKING AS REQUIRED. MILLWORKER TO FASTEN SHELF TO BACK PANEL AND PROVIDE DOWELS AS REQUIRED TO SUPPORT SHELF.

A66 INSIDE SHELF TO RECEIVE LA-001, LA-002 ON BACK PANEL ONLY.

A69 FLOOR AND WALL FINISHES TO EXTEND BEYOND CABINET.

A70 MILLWORK IDENTIFIED AS ML-001. REFER TO THE BUILDING PRODUCT MANUAL (BPM) FOR SPECIFICATIONS. SPECIFICATIONS MUST BE UTILIZED IN COORDINATION WITH THE DRAWINGS. ALL KITCHEN MILLWORK MUST BE COMPLIANT WITH THE MARSHALLTOWN KITCHEN MILLWORK SPECIFICATIONS PROVIDED IN THE DRAWINGS. OTHER MILLWORK IS SELECTED MILLWORK.

A71 TILE AND SHELF LOCATIONS NEED TO BE COORDINATED. TILE IS TO ALIGN WITH THE UNDERSIDE OF THE MICROWAVE.

A74 MILLWORKER TO PROVIDE LIGHT INTEGRATED IN TO SHELF AND CLOSET.

A75 APPROX AND REMOVABLE PANEL WITH 3/4" X 1/2" WOOD SUPPORTS AT EACH END BETWEEN CABINETS. VERIFY PIPE CLEARANCE WITH REMOVABLE PANEL. PROVIDE SUPPORT CLEATS AND FRAME AS REQUIRED.

E0 ENGINEERING

E35 STRIP LIGHTS MOUNTED AT UNDERSIDE OF SHELF. THE MAIN NUMBER INDICATED IS FOR THE SET OF UNDERCABINET LIGHTS AND ASSOCIATED PARTS FOR THIS GUESTROOM. BUILT-IN SHELF LIGHTING AND CLOSET LIGHTS ARE SPECIFIED SEPARATELY.

E76 CONCEAL HARDWARE CONNECTION POINT BEHIND SHELF. GC TO WIRE LIGHT TO WALL SWITCH.

ID0 INTERIOR DESIGN

ID8 SAFE PROVIDED BY OWNER.