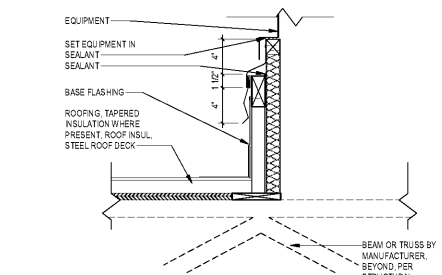
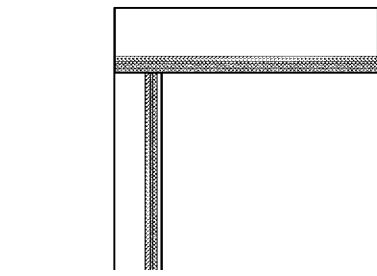


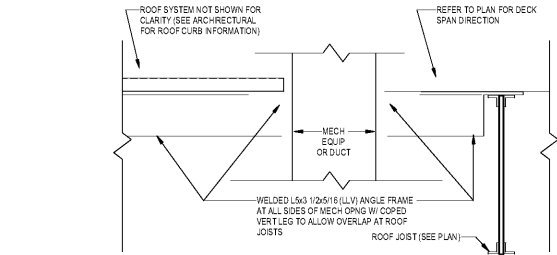
3 MEMBRANE PIPE FLASHING  
1/12" = 1'-0"



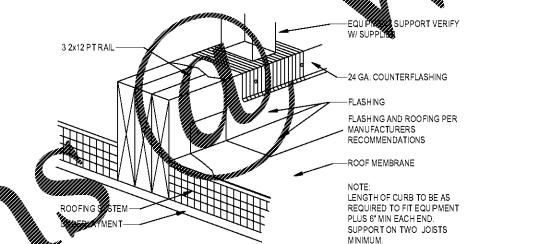
6 MANUFACTURED CURB FLASHING  
1/12" = 1'-0"



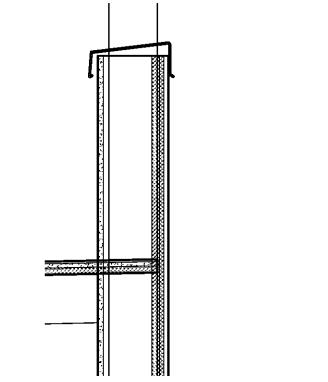
10 TYPICAL STUCCO PARAPET CAP  
1/12" = 1'-0"



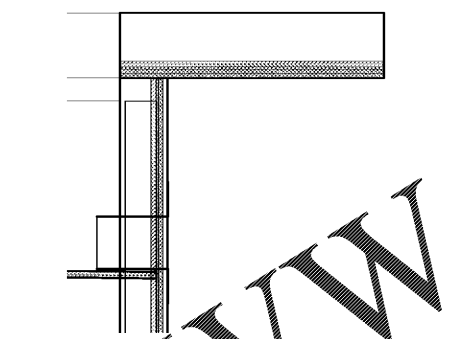
2 MECHANICAL ROOF FRAME OPENING  
1/12" = 1'-0"



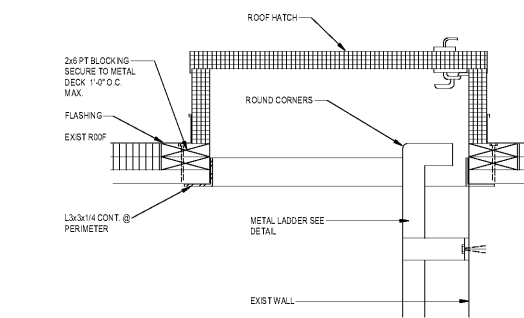
5 MEMBRANE EQUIPMENT SUPPORT  
1/12" = 1'-0"



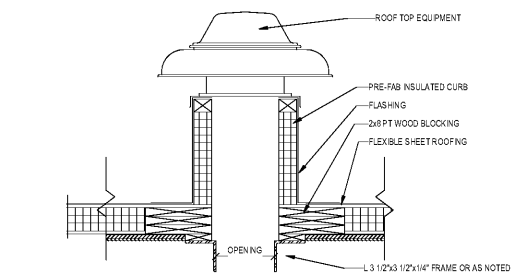
9 TYPICAL PARAPET COPING  
1/12" = 1'-0"



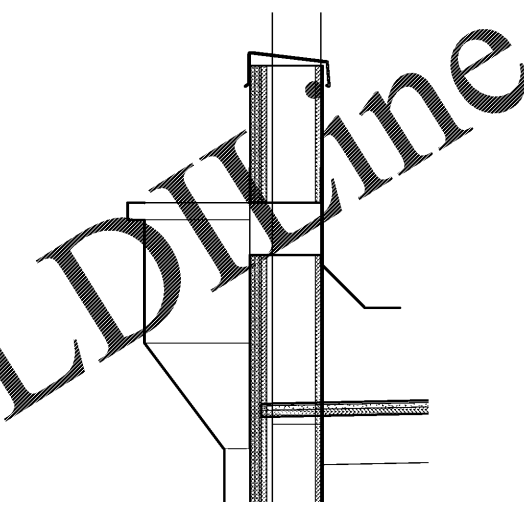
8 THRU-WALL SUCKER @ CORNER ROOF  
1/12" = 1'-0"



1 MEMBRANE ROOF HATCH  
1/12" = 1'-0"



4 MEMBRANE EQUIPMENT CURB  
1/12" = 1'-0"



7 CONDUCTOR HEAD DETAIL  
1/12" = 1'-0"

Order Plans @ WWW.LDILLINE.COM

PROJECT NO.	210072
DATE	20/01/10
DESIGNER	LDILLINE
CHECKED	Checker

Revision Schedule	
No.	Description

NOV 02, 2015

PROJECT NAME: **ROCKLEDGE FLATS - BUILDING B**  
 220 Baron Boulevard  
 Rockledge, FL 32955

CLIENT NAME: **HUTTON DEVELOPMENT**



**Colucci & Peterson**  
 Architects Engineers Planners

1925 Prospect Ave.  
 Orlando, FL 32814  
 P (407) 661-9100  
 F (407) 661-9101  
 www.c&p.com

GMP PRICING SET 15 NOVEMBER 2019