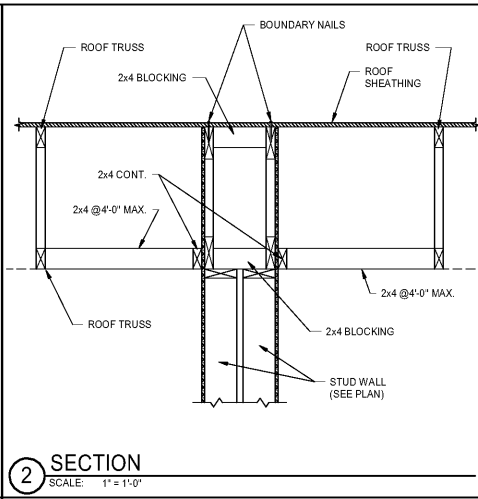
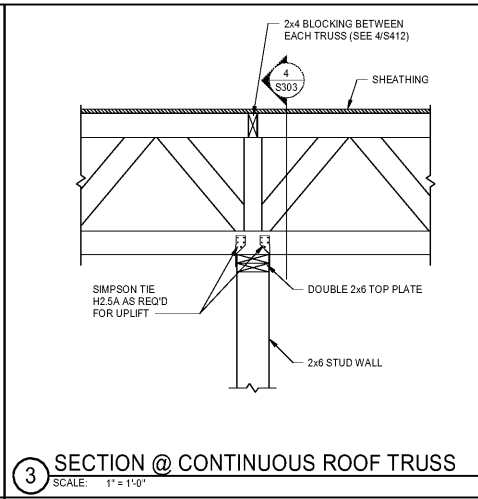


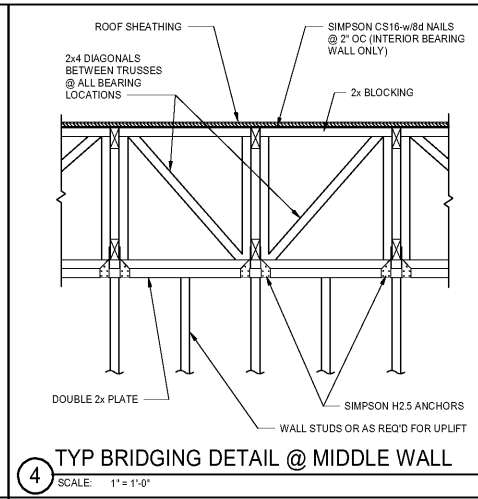
1 SECTION
SCALE: 1" = 1'-0"



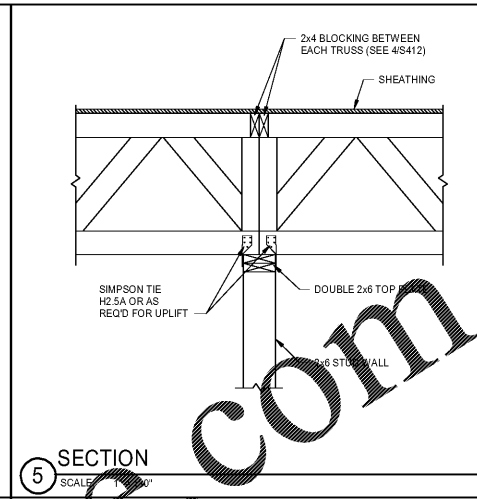
2 SECTION
SCALE: 1" = 1'-0"



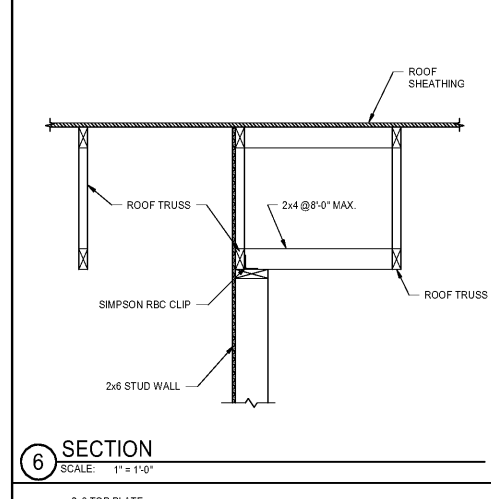
3 SECTION @ CONTINUOUS ROOF TRUSS
SCALE: 1" = 1'-0"



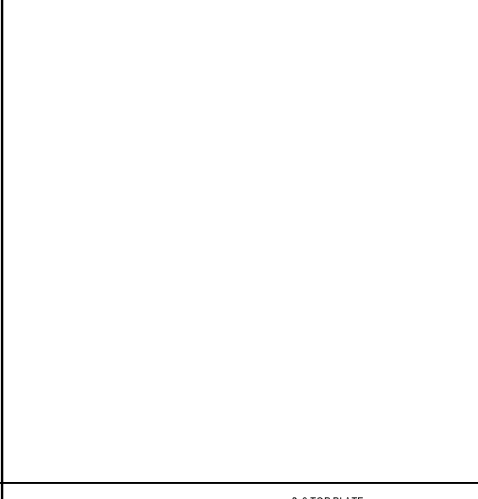
4 TYP BRIDGING DETAIL @ MIDDLE WALL
SCALE: 1" = 1'-0"



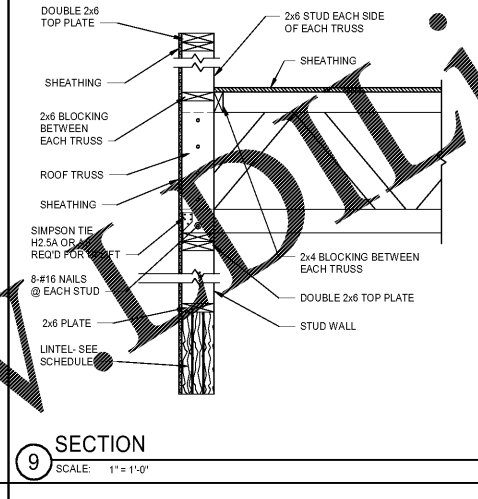
5 SECTION
SCALE: 1" = 1'-0"



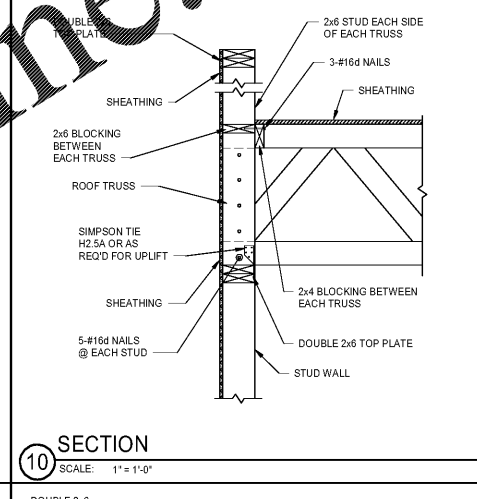
6 SECTION
SCALE: 1" = 1'-0"



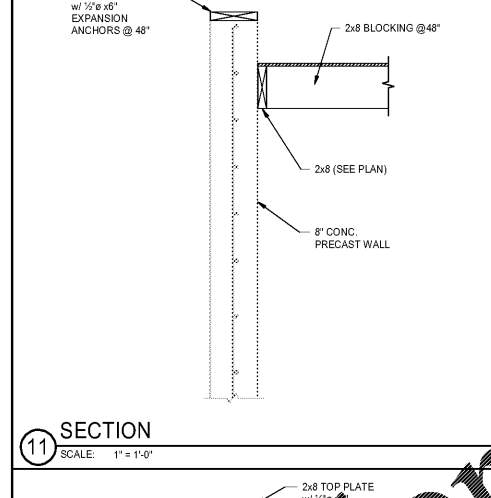
8 SECTION
SCALE: 1" = 1'-0"



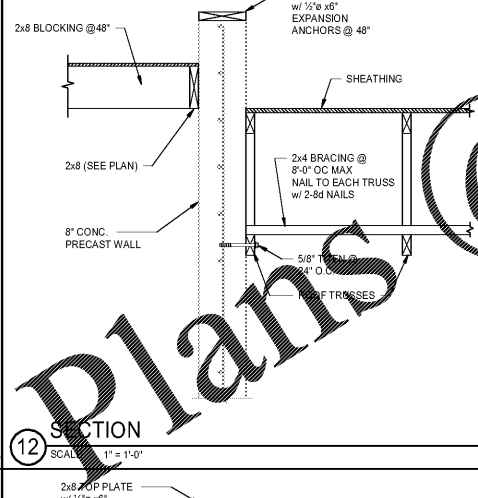
9 SECTION
SCALE: 1" = 1'-0"



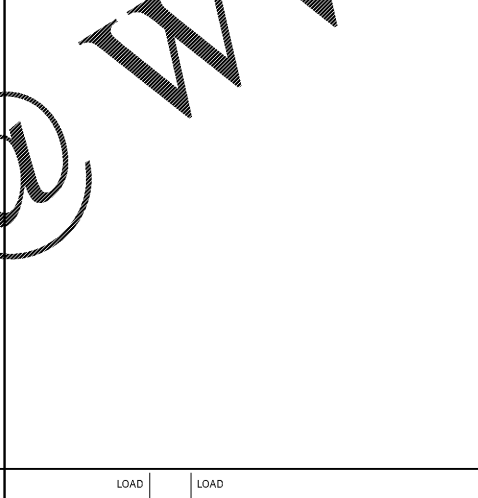
10 SECTION
SCALE: 1" = 1'-0"



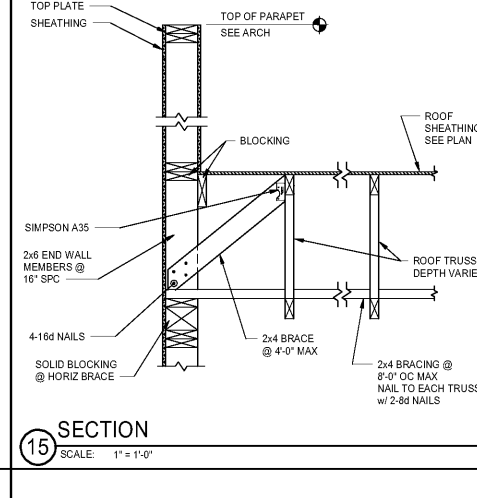
11 SECTION
SCALE: 1" = 1'-0"



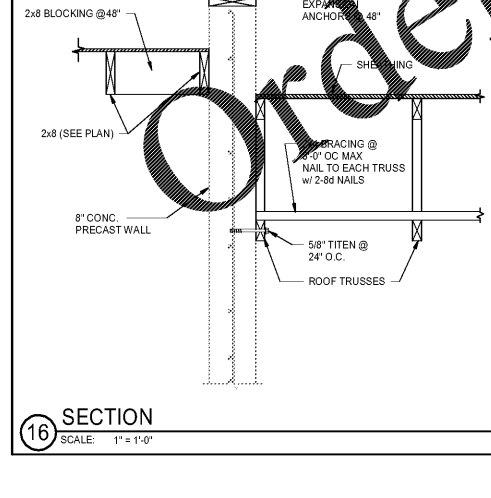
12 SECTION
SCALE: 1" = 1'-0"



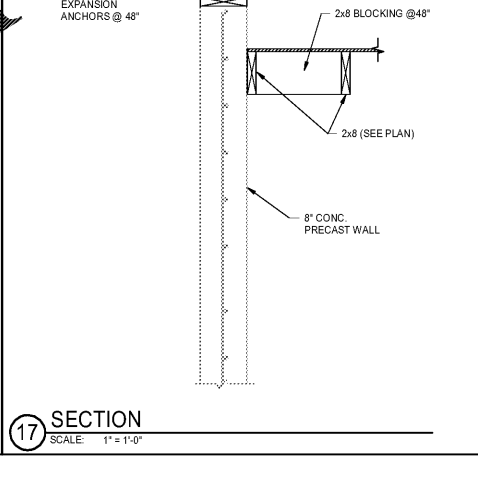
14 SECTION
SCALE: 1" = 1'-0"



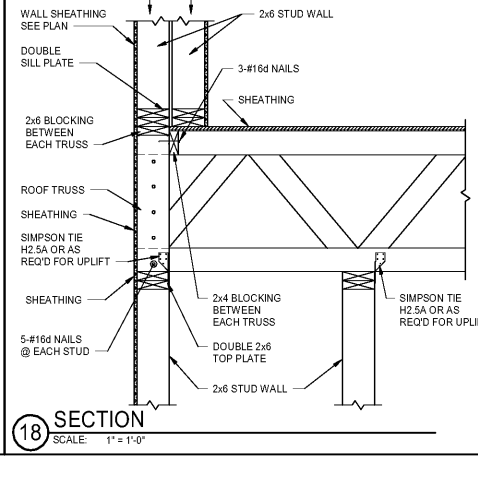
15 SECTION
SCALE: 1" = 1'-0"



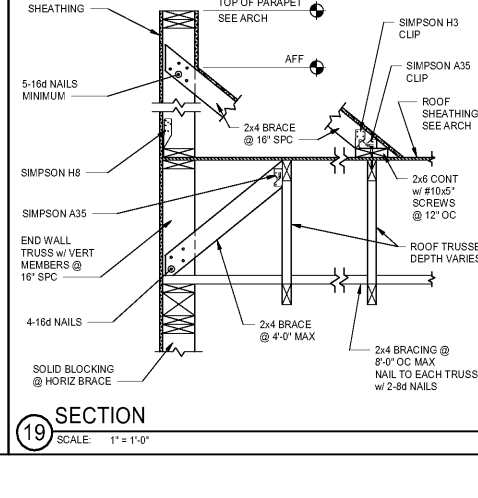
16 SECTION
SCALE: 1" = 1'-0"



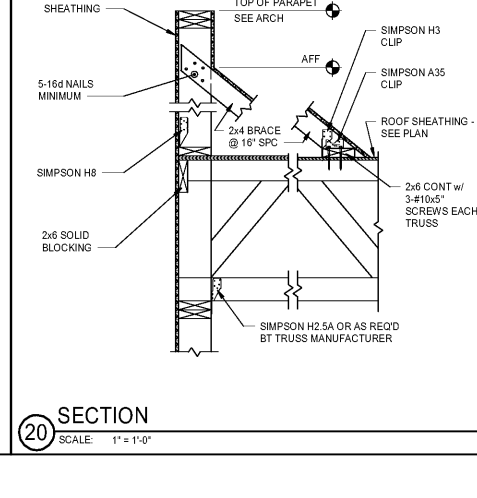
17 SECTION
SCALE: 1" = 1'-0"



18 SECTION
SCALE: 1" = 1'-0"



19 SECTION
SCALE: 1" = 1'-0"



20 SECTION
SCALE: 1" = 1'-0"

Order plans @ www.pdfline.com

1925 Prospect Ave.
Orlando, FL 32814
P (407) 661-9100
F (407) 661-9101
www.rp.com

Calaci & Peterson
Architects Engineers Planners

OHM
Structural Engineering

PROJECT NAME: **HUTTON DEVELOPMENT**
PROJECT NO.: **ROCKLEDGE FLATS - BUILDING "B"**
220 Baron Boulevard
Rockledge, FL 32955
SHEET TITLE: **ROOF FRAMING DETAILS**

PROFESSIONAL ENGINEER
STATE OF FLORIDA
No. 11152
11-15-2019

No.	Description	Date

PROJECT NO.: 0540150010
DATE: 2/19/2020
DRAWN: MAM
CHECKED: BIC

S303

GMP PRICING SET 15 NOVEMBER 2019

19181-RC19