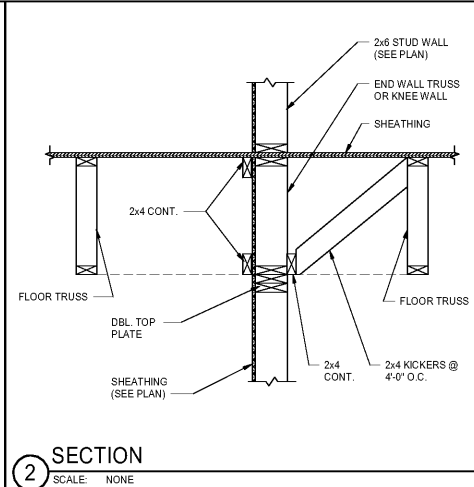
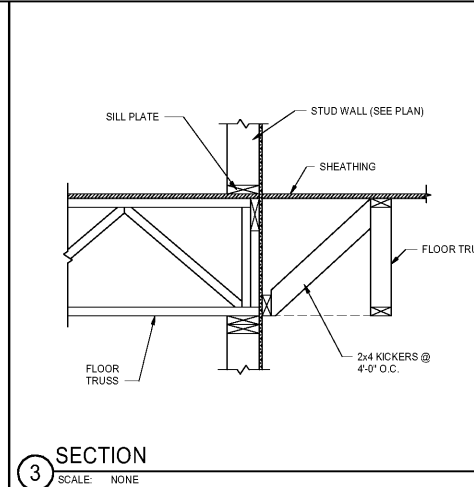


1 DETAIL
SCALE: NONE



2 SECTION
SCALE: NONE

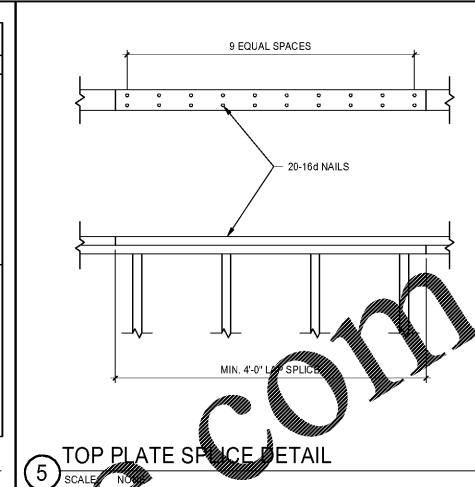


3 SECTION
SCALE: NONE

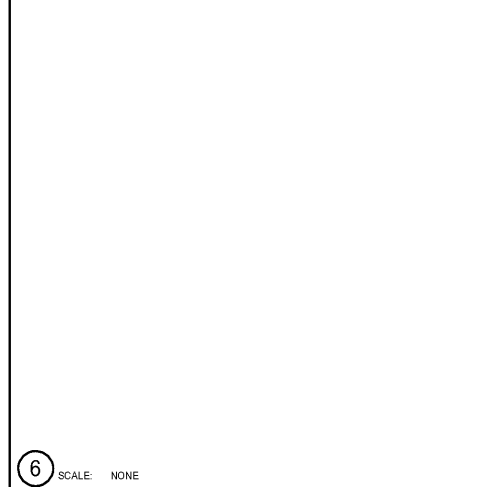
HEADER SCHED

MAX SPAN	SIZE REQ'D	SUPPORT CONDITION
0 TO 2'-11"	2-2x6	2 FULL HEIGHT STUDS EA SIDE
3'-0" TO 4'-5"	2-2x8	1 BEARING STUD
4'-6" TO 5'-11"	2-2x10	2 FULL HEIGHT STUDS EA SIDE
6'-0" TO 7'-5"	2-2x12	2 FULL HEIGHT STUDS EA SIDE
7'-6" TO 8'-0"	2-11 7/8" LVL	2 BEARING STUD

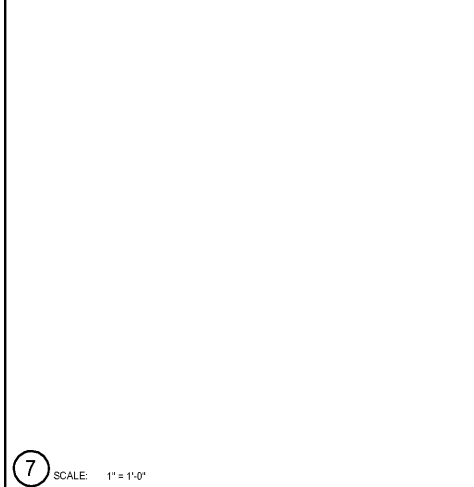
4 HEADER SCHEDULE
SCALE: NONE



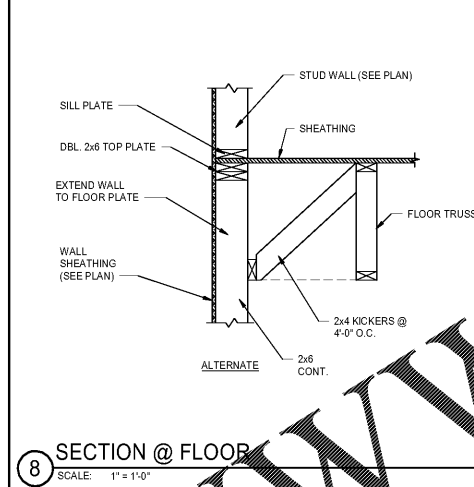
5 TOP PLATE SPACE DETAIL
SCALE: NONE



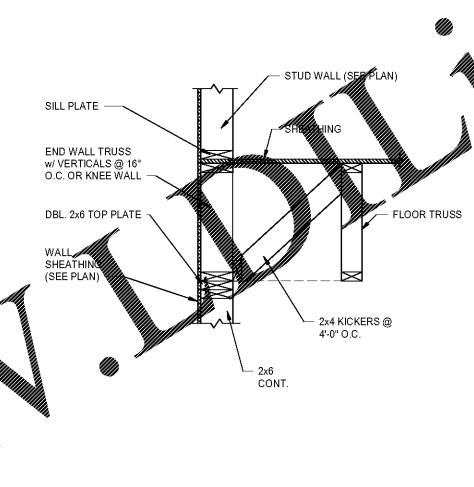
6 SECTION
SCALE: NONE



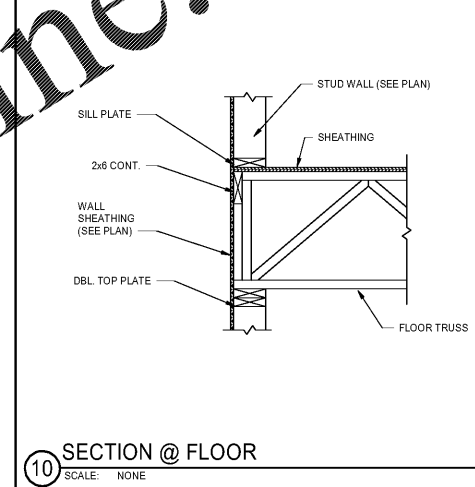
7 SECTION @ FLOOR
SCALE: 1" = 1'-0"



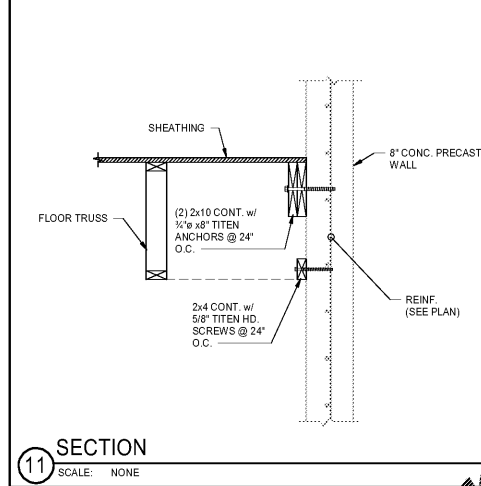
8 SECTION @ FLOOR
SCALE: 1" = 1'-0"



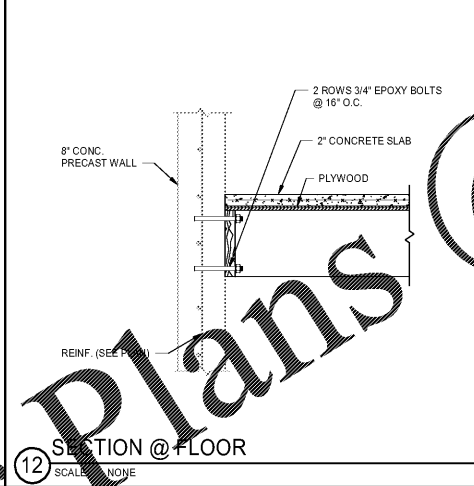
9 SECTION @ FLOOR
SCALE: NONE



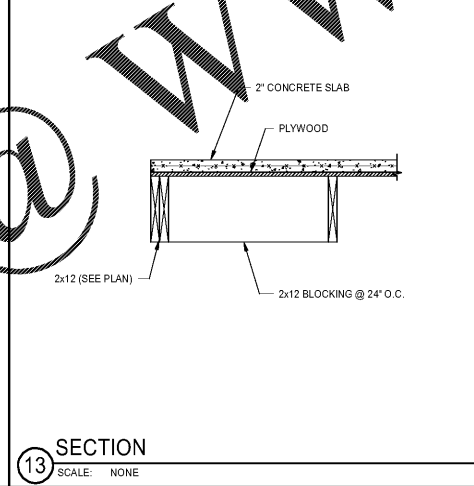
10 SECTION @ FLOOR
SCALE: NONE



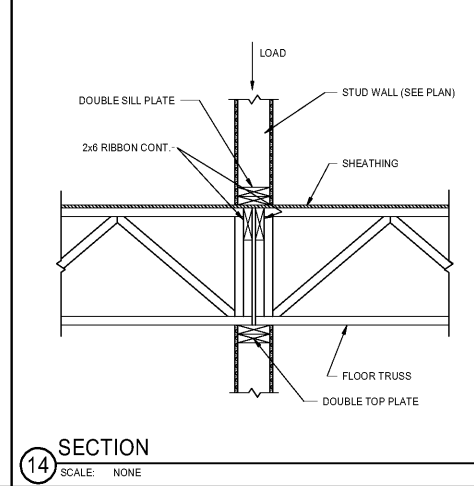
11 SECTION
SCALE: NONE



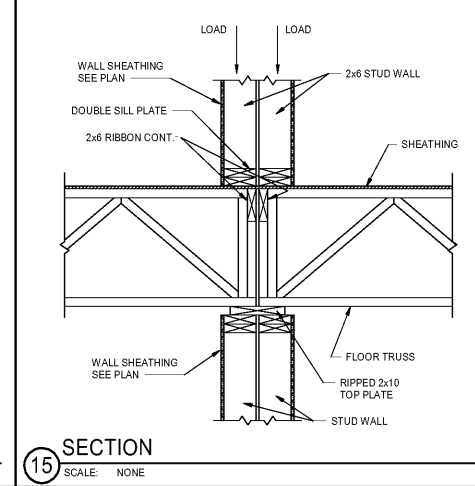
12 SECTION @ FLOOR
SCALE: NONE



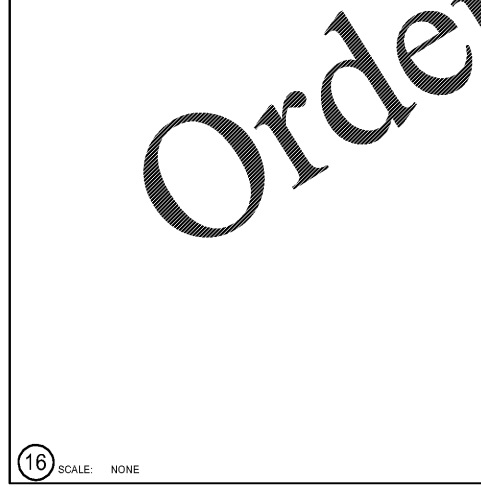
13 SECTION
SCALE: NONE



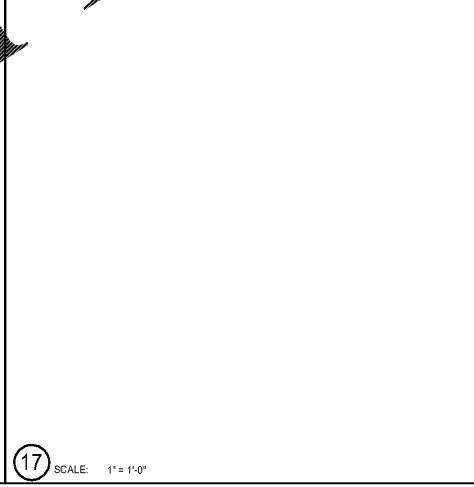
14 SECTION
SCALE: NONE



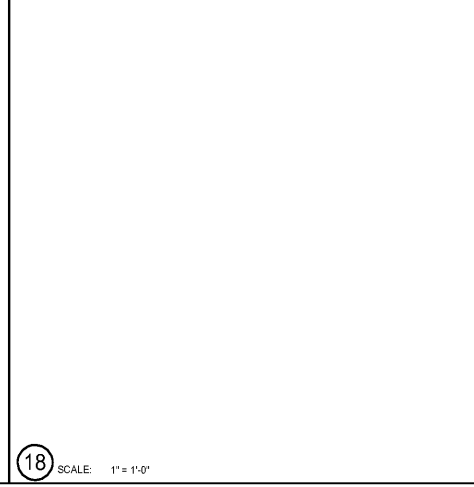
15 SECTION
SCALE: NONE



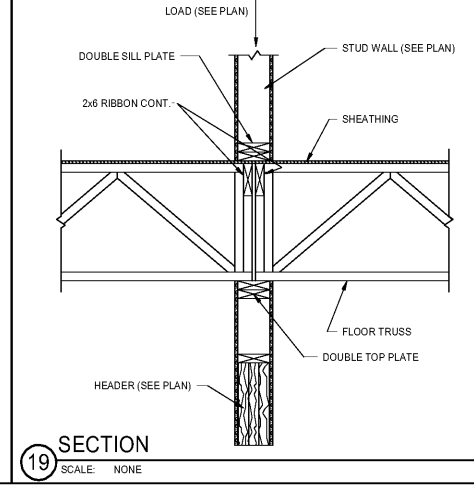
16 SECTION
SCALE: NONE



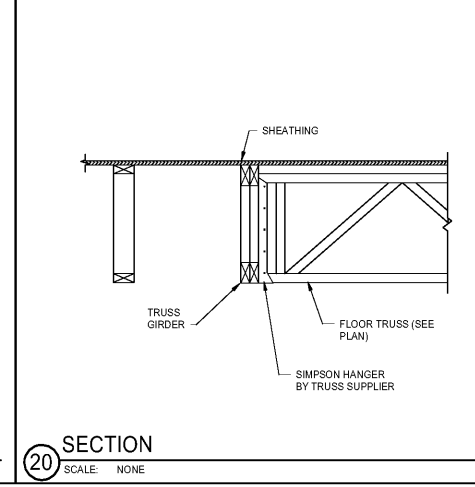
17 SECTION @ FLOOR
SCALE: 1" = 1'-0"



18 SECTION
SCALE: 1" = 1'-0"



19 SECTION
SCALE: NONE



20 SECTION
SCALE: NONE

Order Plans @

WWW.IDDLINE.COM

1925 Prospect Ave.
Orlando, FL 32814
P (407) 661-9100
F (407) 661-9101
www.rp.com

Calaci & Peterson
Architects Engineers Planners

OHM
ARCHITECTS ENGINEERS PLANNERS

3000 W. Colonial Blvd., Suite 100
Orlando, FL 32817
Tel: 407.661.9100
Fax: 407.661.9101
www.ohm.com

CLIENT NAME
HUTTON DEVELOPMENT

PROJECT NAME
ROCKLEDGE FLATS - BUILDING "B"

220 Baron Boulevard
Rockledge, FL 32955

SHEET TITLE
FRAMING DETAILS

REGISTERED PROFESSIONAL ENGINEER
STATE OF FLORIDA
11-15-2019

No.	Description	Date

PROJECT NO. 0545150010
DATE 20/09/2019
DRAWN
CHECKED
BY

S302

GMP PRICING SET 15 NOVEMBER 2019

19181-RC19