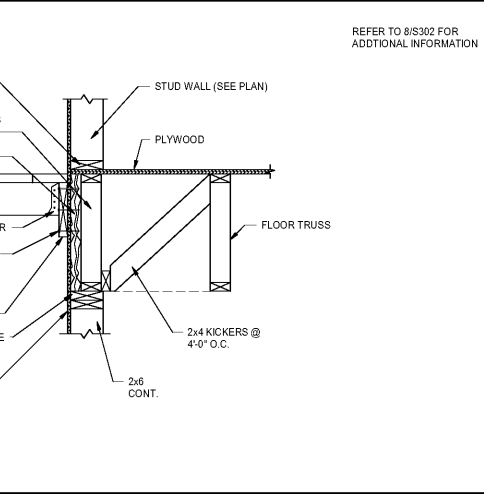
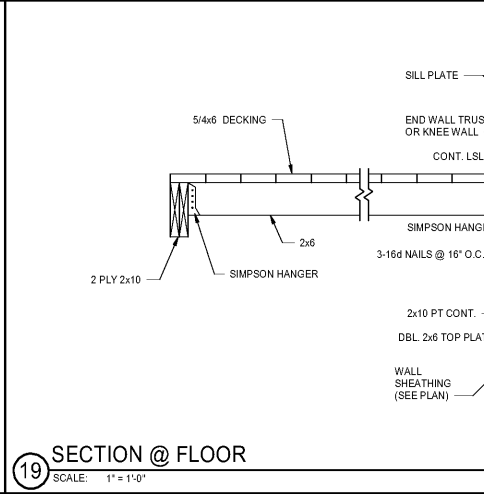
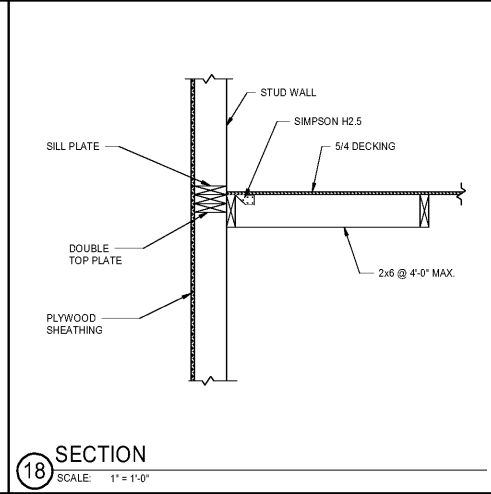
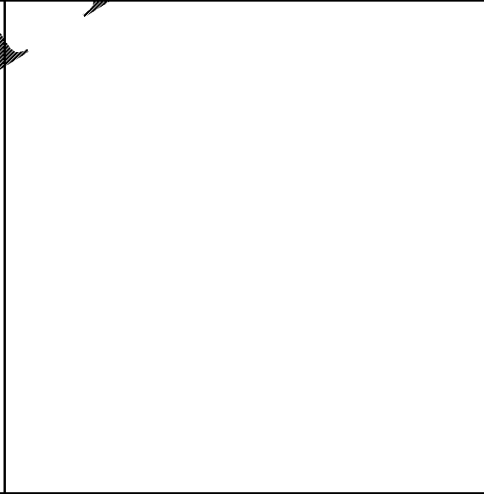
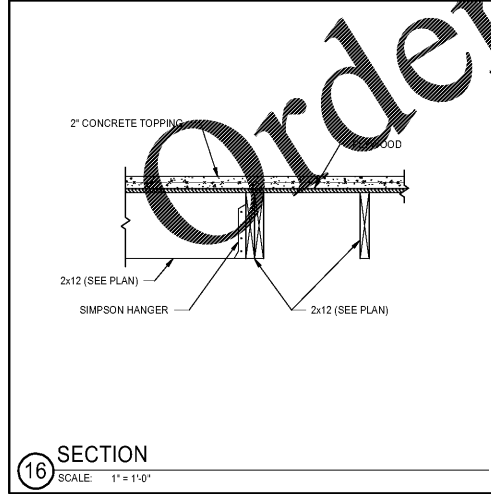
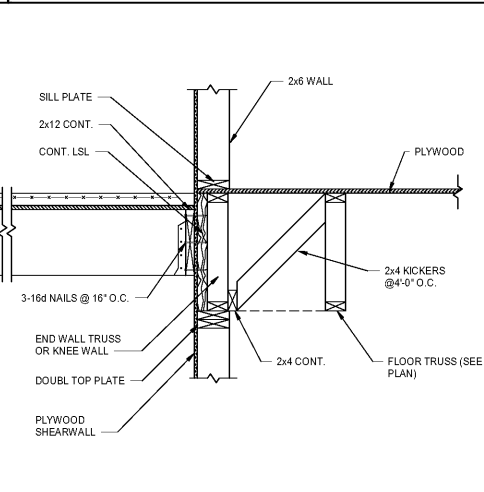
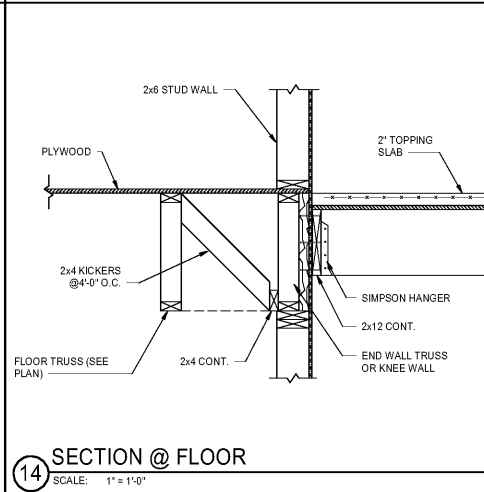
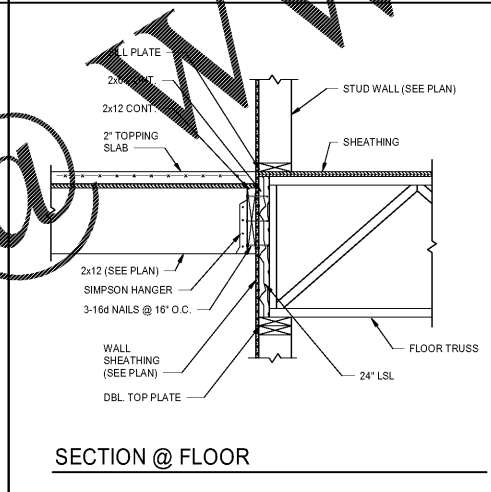
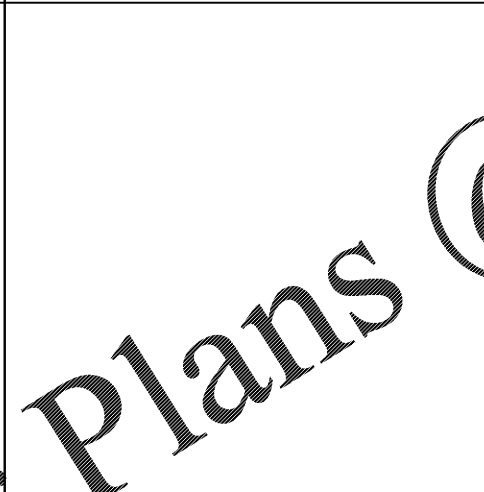
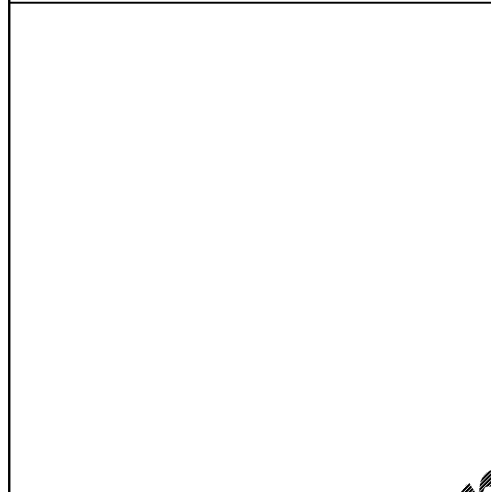
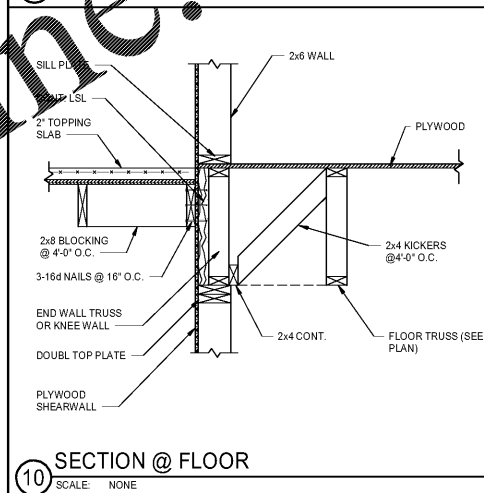
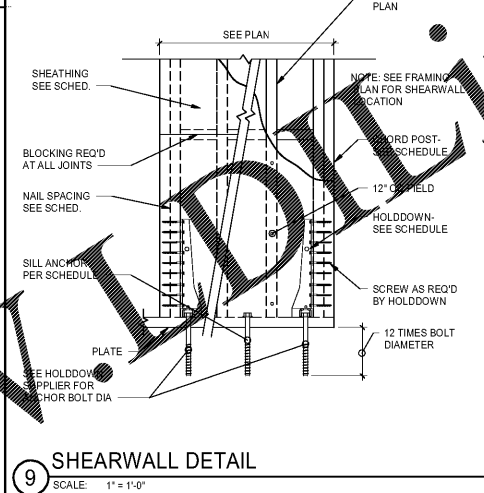
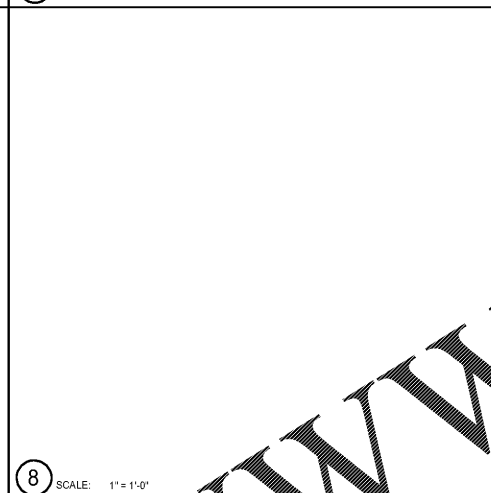
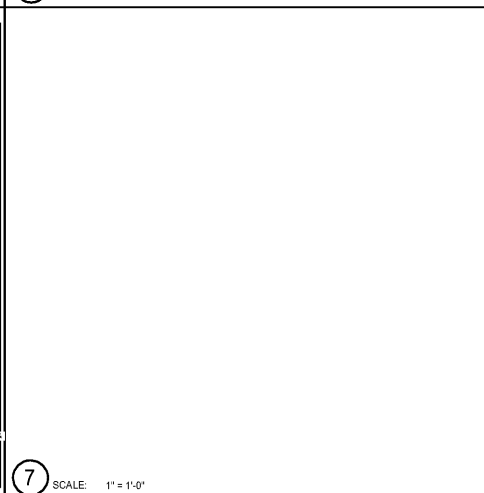


HOLD-DOWN SCHEDULE			
LEVEL	HOLD-DOWN	CHORD POST	CAPACITY (LBS)
FDN	HDU2-SDS2.5		3,075
2ND	HDU2-SDS2.5		3,075
3RD	HDU2-SDS2.5		3,075
4TH	HDU2-SDS2.5		3,075
FDN	HDU14-SDS2.5	6x6	14,445
2ND	HDU5-SDS2.5	(2)2x6	5,075
3RD	HDU2-SDS2.5	(2)2x6	3,075
4TH	HDU2-SDS2.5	(2)2x6	3,075

NOTE: CAPACITY IS SERVICE LEVEL

NAILING SCHED		
CONNECTION	FASTENER	NUMBER OR SPACING
JOIST TO BAND JOIST FACE NAIL	16D COMMON	3
JOIST TO SILL GIRDER TOE NAIL	8D COMMON	3
BRIDGING TO JOIST TOE NAIL EACH END	8D COMMON	2
LEDGER STRIP	16D COMMON	3 AT EACH JOIST
1/8\"/>		



1925 Prospect Ave.
Orlando, FL 32814
P (407) 661-9100
F (407) 661-9101
www.rp.com

Calaci & Peterson
Architects Engineers Planners

OHM
ARCHITECTS ENGINEERS PLANNERS

CLIENT: HUTTON DEVELOPMENT

PROJECT NAME: ROCKLEDGE FLATS - BUILDING "B"

PROJECT ADDRESS: 220 Baron Boulevard, Rockledge, FL 32955

DATE: 11-15-2019

PROJECT NO: 0540-15/010
DATE: 20/10/2019
DRAWN: [Name]
CHECKED: [Name]

19181-RC19

S301

GMP PRICING SET 15 NOVEMBER 2019