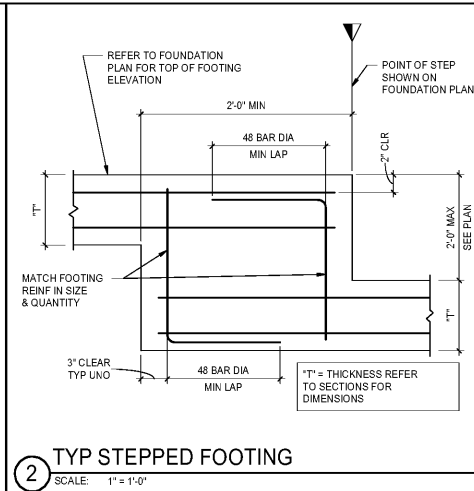
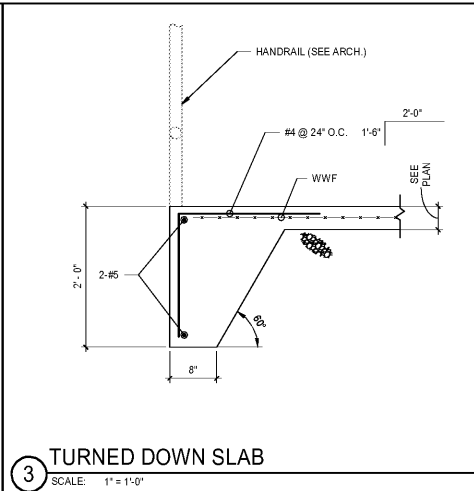


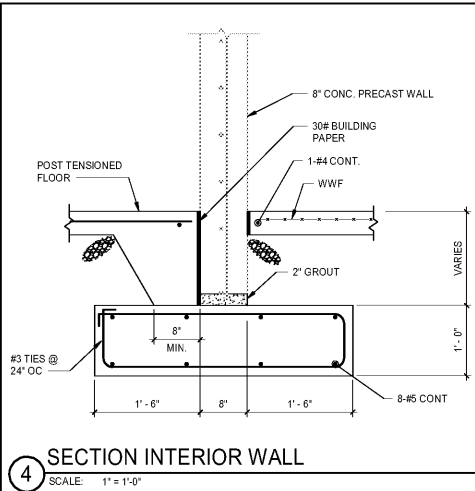
1 SLAB ON GRADE JOINTS
SCALE: 1/2" = 1'-0"



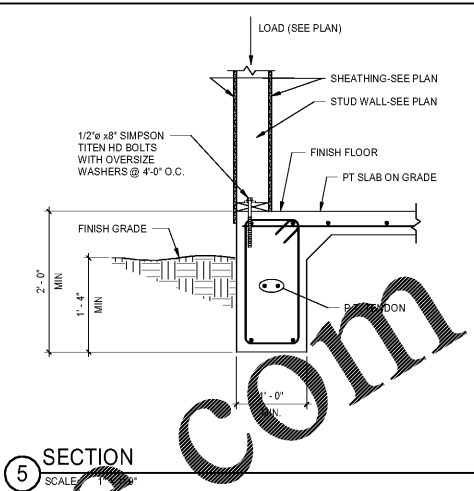
2 TYP STEPPED FOOTING
SCALE: 1" = 1'-0"



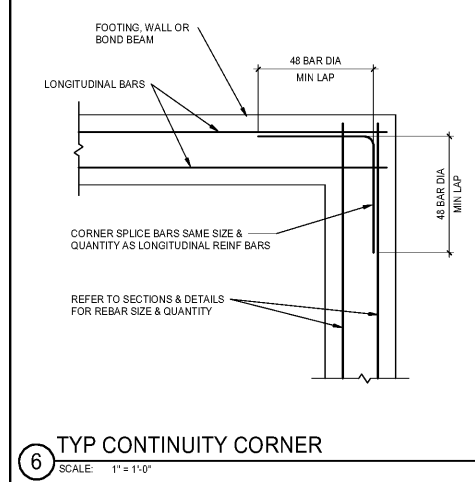
3 TURNED DOWN SLAB
SCALE: 1" = 1'-0"



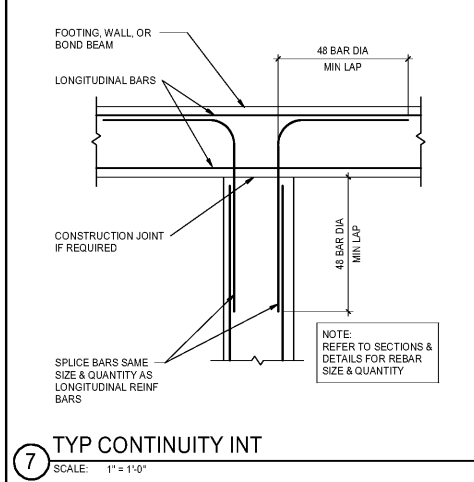
4 SECTION INTERIOR WALL
SCALE: 1" = 1'-0"



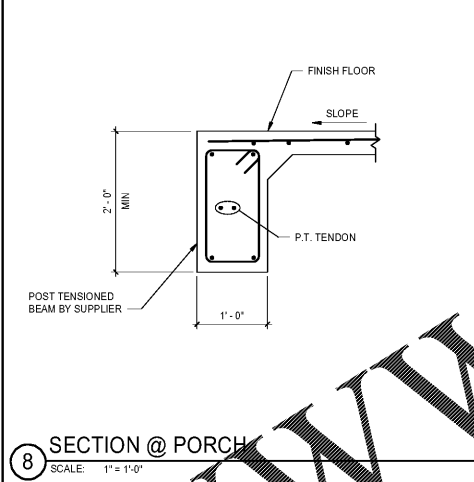
5 SECTION
SCALE: 1" = 1'-0"



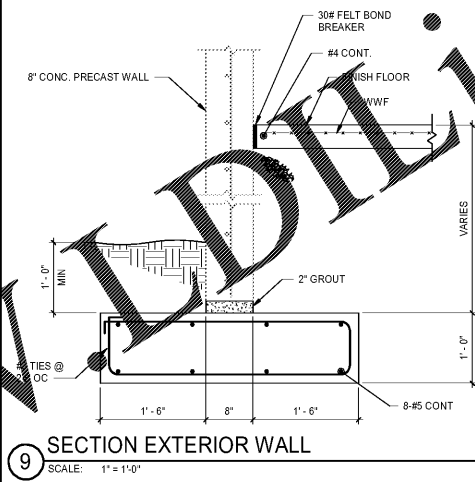
6 TYP CONTINUITY CORNER
SCALE: 1" = 1'-0"



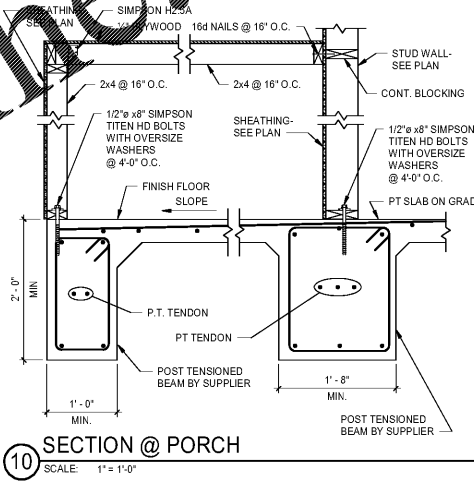
7 TYP CONTINUITY INT
SCALE: 1" = 1'-0"



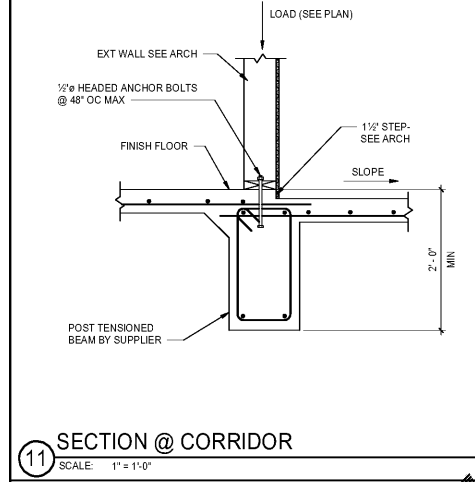
8 SECTION @ PORCH
SCALE: 1" = 1'-0"



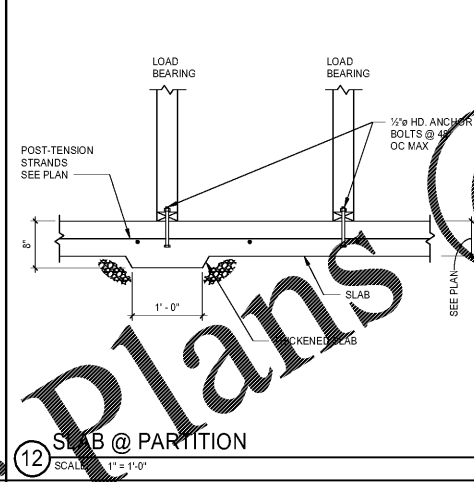
9 SECTION EXTERIOR WALL
SCALE: 1" = 1'-0"



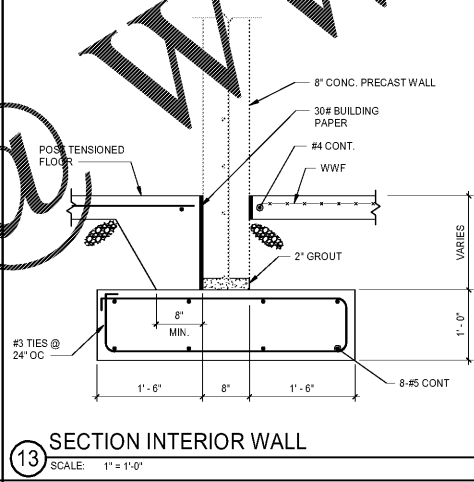
10 SECTION @ PORCH
SCALE: 1" = 1'-0"



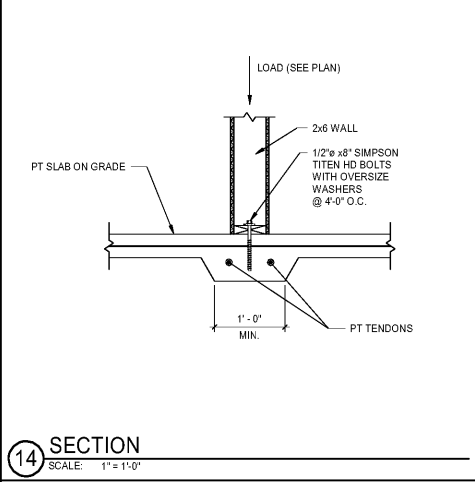
11 SECTION @ CORRIDOR
SCALE: 1" = 1'-0"



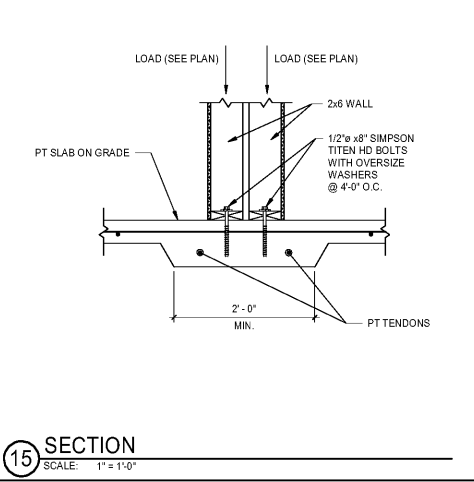
12 SLAB @ PARTITION
SCALE: 1" = 1'-0"



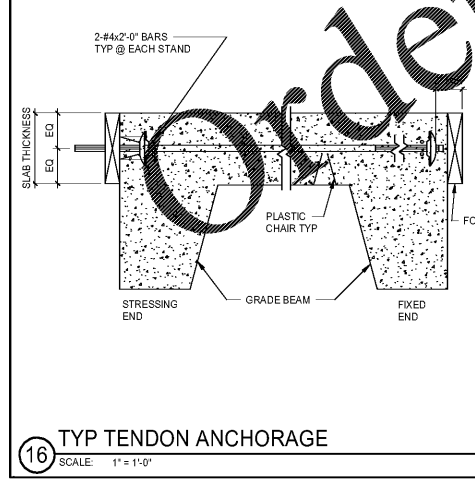
13 SECTION INTERIOR WALL
SCALE: 1" = 1'-0"



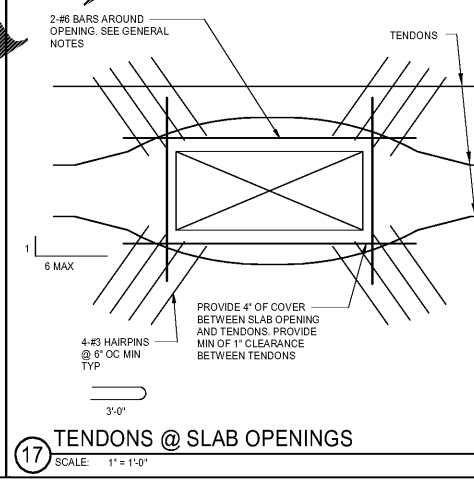
14 SECTION
SCALE: 1" = 1'-0"



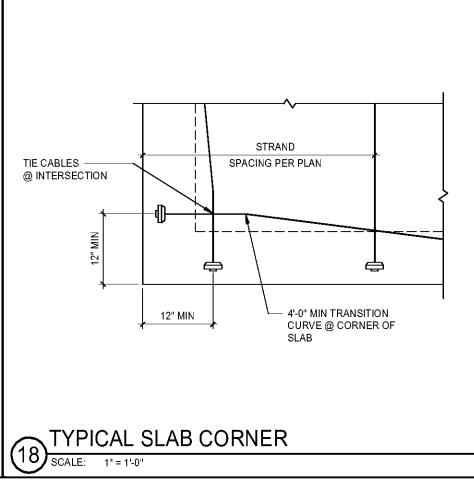
15 SECTION
SCALE: 1" = 1'-0"



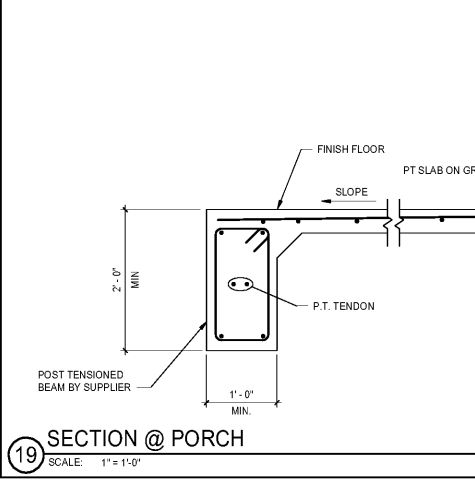
16 TYP TENDON ANCHORAGE
SCALE: 1" = 1'-0"



17 TENDONS @ SLAB OPENINGS
SCALE: 1" = 1'-0"



18 TYPICAL SLAB CORNER
SCALE: 1" = 1'-0"



19 SECTION @ PORCH
SCALE: 1" = 1'-0"

Order Plans @ WWW.WLDIline.com

1925 Prospect Ave.
Orlando, FL 32814
P (407) 661-9100
F (407) 661-9101
www.rp.com

Culaci & Peterson
Architects Engineers Planners

OHM
Structural Engineering

CLIENT: HUTTON DEVELOPMENT

PROJECT NAME: ROCKLEDGE FLATS - BUILDING "B"

220 Baron Boulevard
Rockledge, FL 32955

SHEET TITLE: SECTIONS AND DETAILS

PROFESSIONAL SEAL

11-15-2019

No.	Description	Date

PROJECT NO. 054015010
DATE 20/09/2019
DRAWN
CHECKED

19181-RC19

S201

GMP PRICING SET 15 NOVEMBER 2019