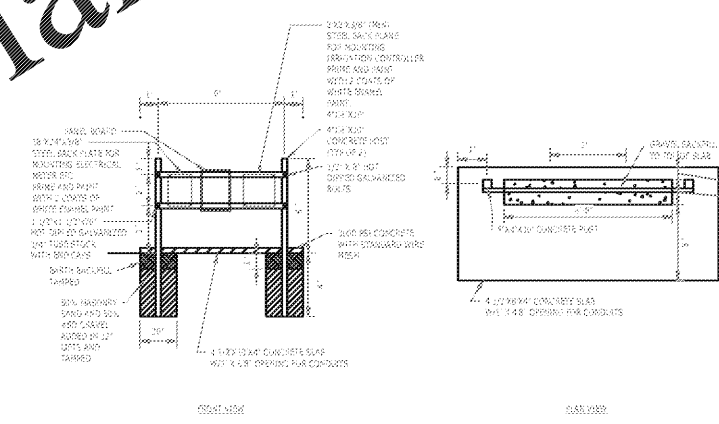
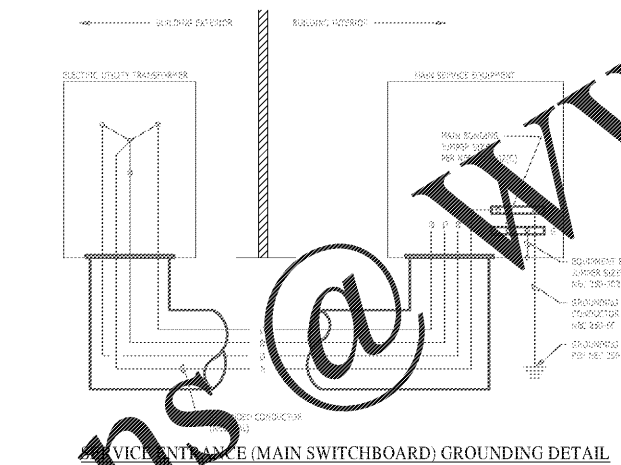


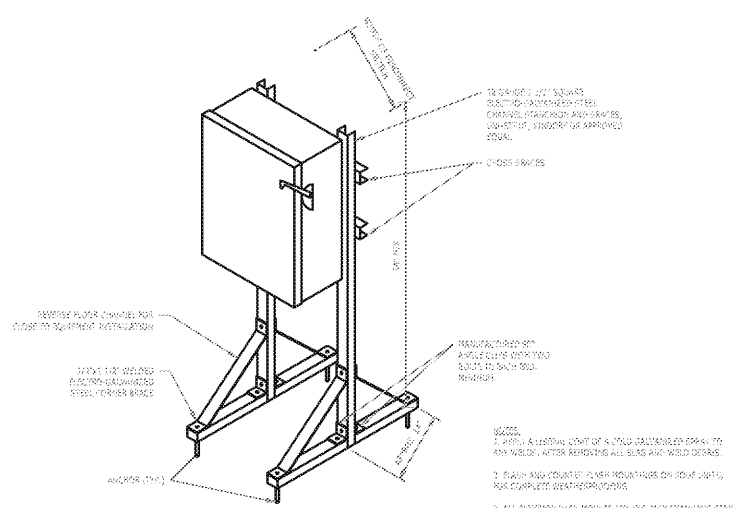
**TYPICAL GROUND BUS BAR DETAIL**  
SCALE: NONE



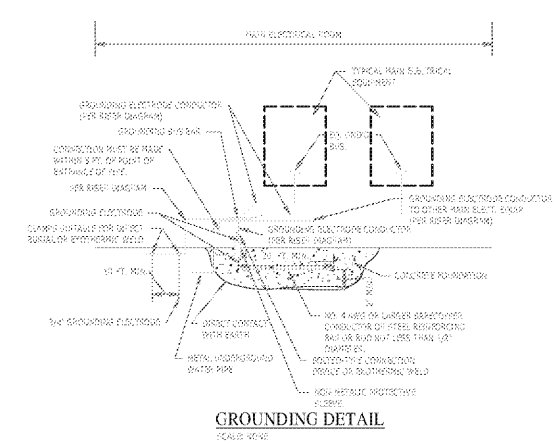
**MOUNTING DETAIL**  
SCALE: NONE



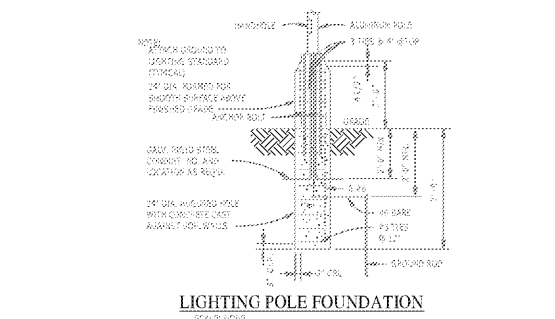
**VICINITY PLAN (MAIN SWITCHBOARD) GROUNDING DETAIL**



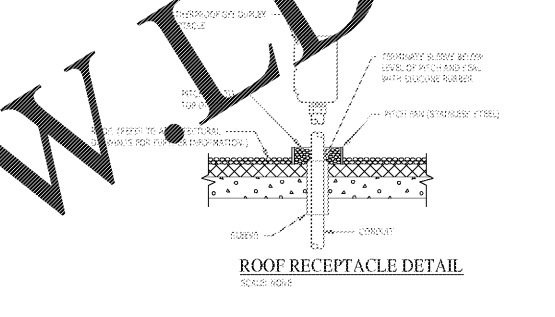
**TYPICAL DISCONNECT SWITCH**  
SCALE: NONE



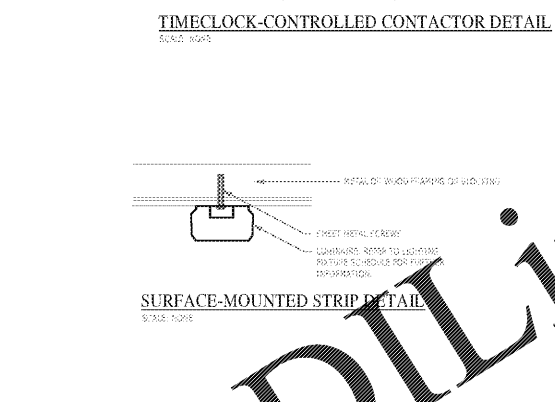
**GROUNDING DETAIL**  
SCALE: NONE



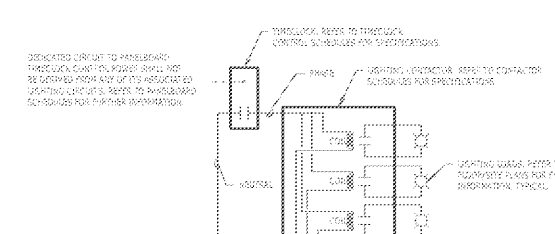
**LIGHTING POLE FOUNDATION**  
SCALE: NONE



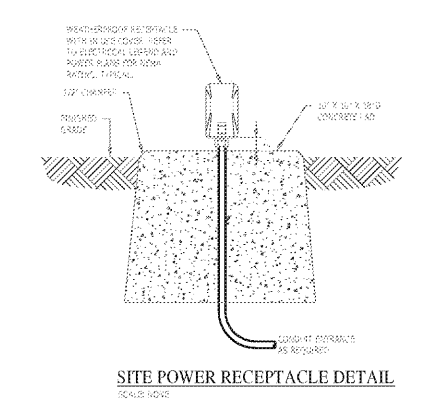
**ROOF RECEPTACLE DETAIL**  
SCALE: NONE



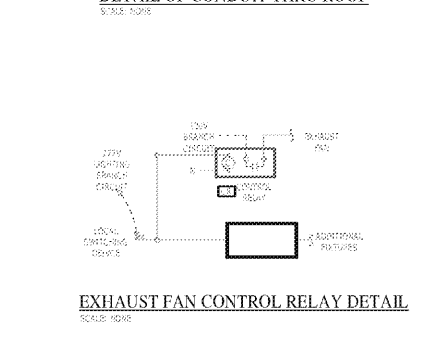
**SURFACE-MOUNTED STRIP DETAIL**  
SCALE: NONE



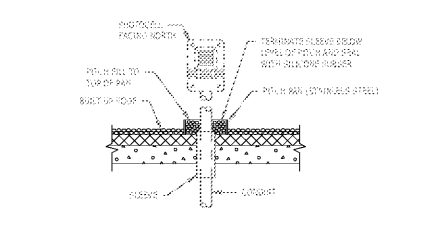
**TIMELOCK-CONTROLLED CONTACTOR DETAIL**  
SCALE: NONE



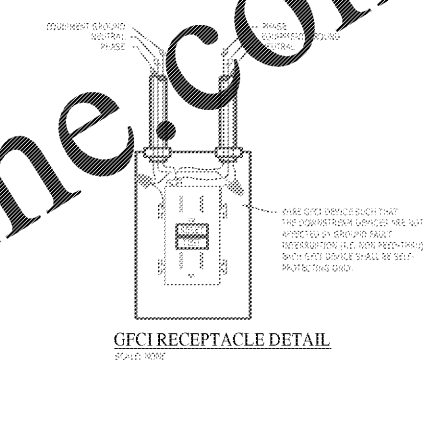
**SITE POWER RECEPTACLE DETAIL**  
SCALE: NONE



**EXHAUST FAN CONTROL RELAY DETAIL**  
SCALE: NONE



**DETAIL OF CONDUIT THRU ROOF**  
SCALE: NONE



**GFCI RECEPTACLE DETAIL**  
SCALE: NONE

1925 Prospect Ave.  
Orlando, FL 32814  
P (407) 661-9100  
F (407) 661-9101  
www.rp.com

**Caracci & Peterson**  
Architects Engineers Planners

**OHM**  
ORLANDO HEADQUARTERS  
1301 W. Colonial Blvd. Suite 300  
Orlando, FL 32817  
PH (407) 661-9100  
F (407) 661-9101  
www.ohm.com

CLIENT NAME  
**ROCKLEDGE MULTI-FAMILY**  
220 Baron Boulevard  
Rockledge, FL 32955

PROJECT NAME  
**ROCKLEDGE MULTI-FAMILY**  
220 Baron Boulevard  
Rockledge, FL 32955

SHEET TITLE  
**ELECTRICAL DETAILS**

No.	Description	Date

PROJECT NO. 054015000  
DATE 20/01/01  
DRAWN [Name]  
CHECKED [Name]  
DATE 20/01/01

GMP PRICING SET

**E901**