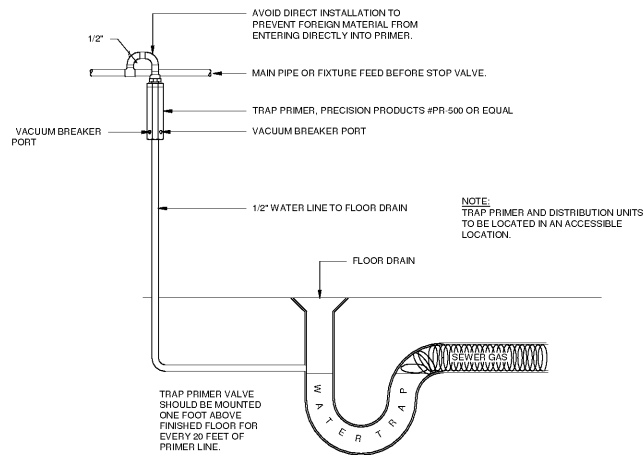
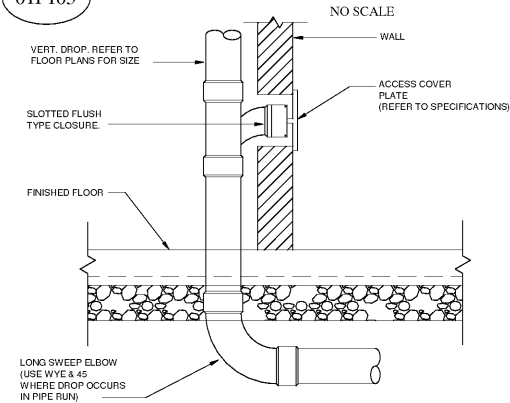


Order Plans @



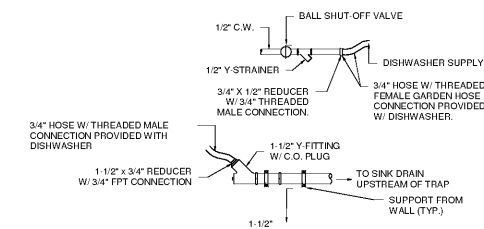
TRAP PRIMER

01P105



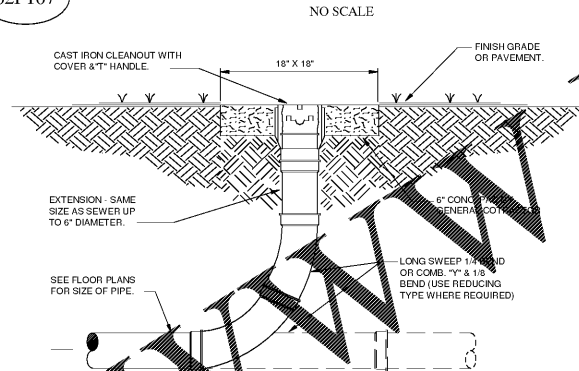
CONCEALED WASTE LINE DROP AT GRADE

03P100



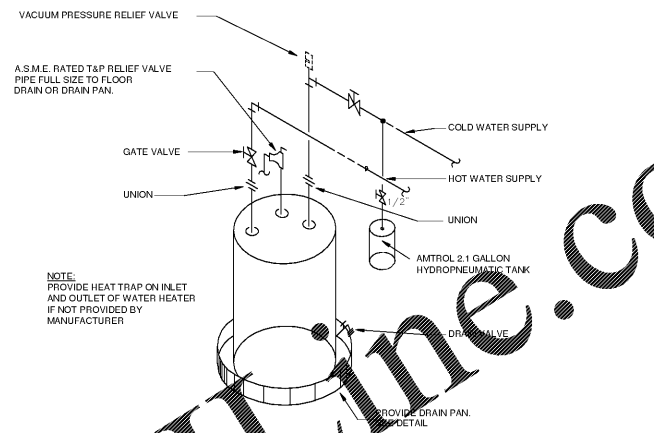
DISHWASHER INSTALLATION

02P107



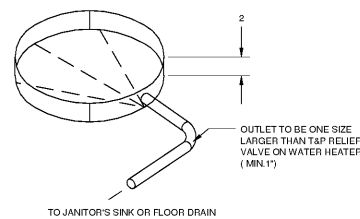
EXTERIOR CLEAN-OUT

03P101



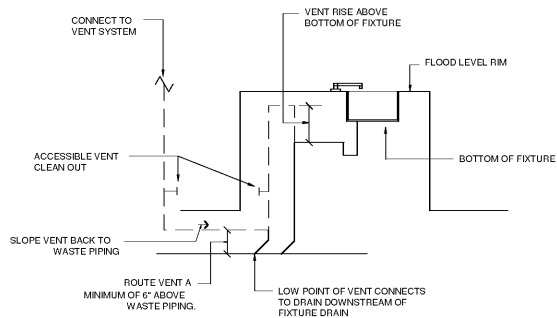
WATER HEATER (FLOOR MTD)

02P201



WATER HEATER DRAIN PAN

02P210



ISLAND VENT PIPING DETAIL

03P106

1925 Prospect Ave.  
Orlando, FL 32814  
P (407) 661-9100  
F (407) 661-9101  
www.r.p.c.com



CLIENT NAME

PROJECT NAME  
ROCKLEDGE MULTI-FAMILY  
220 Baron Boulevard  
Rockledge, FL 32955

Revision Schedule	
No.	Date

PROJECT NO. 0540150010  
DATE 20/01/16  
DRAWN  
CHECKED

P501

GMP PRICING SET