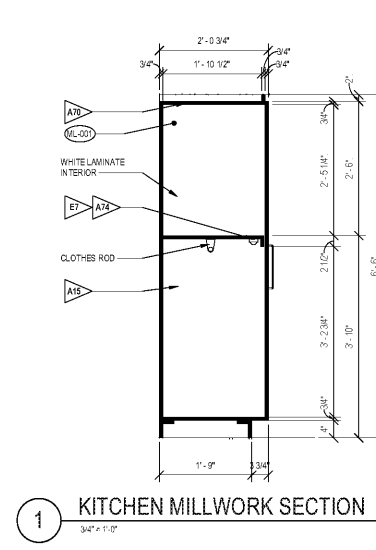
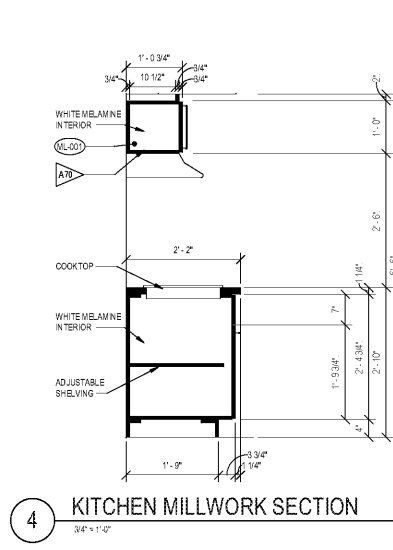
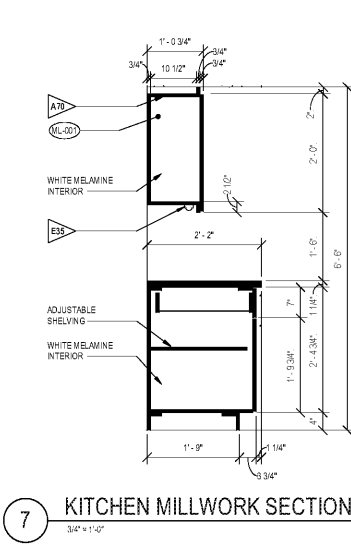
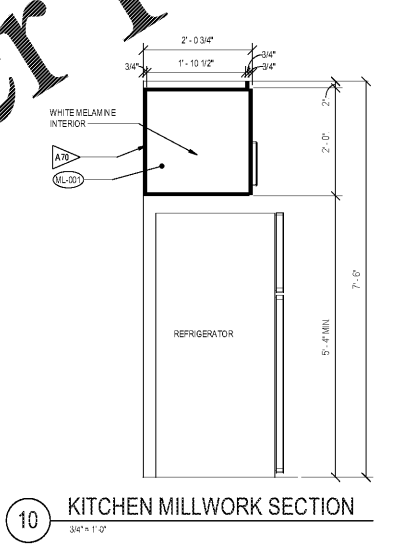
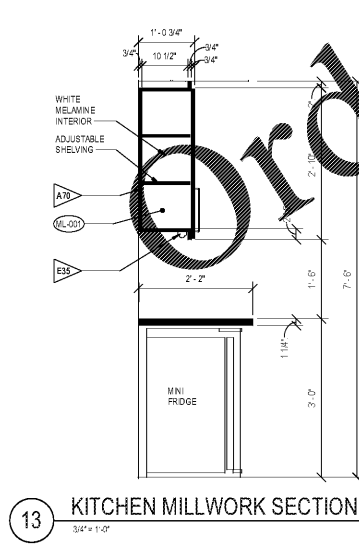
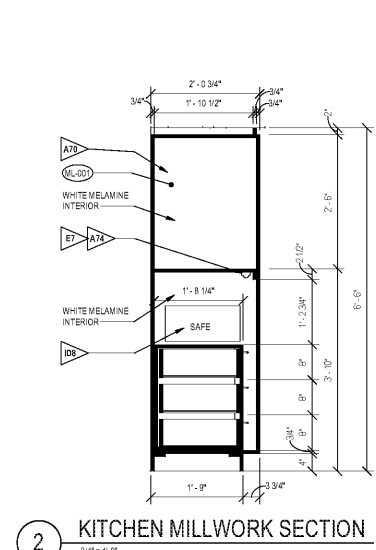
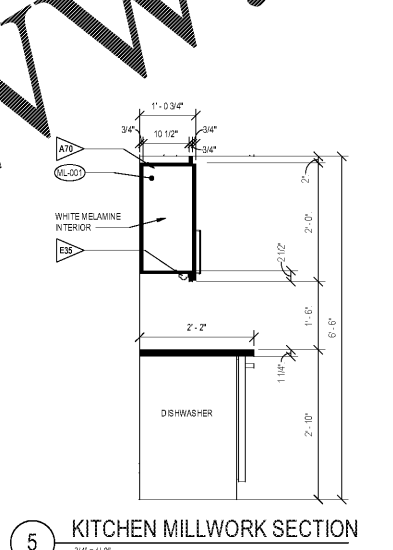
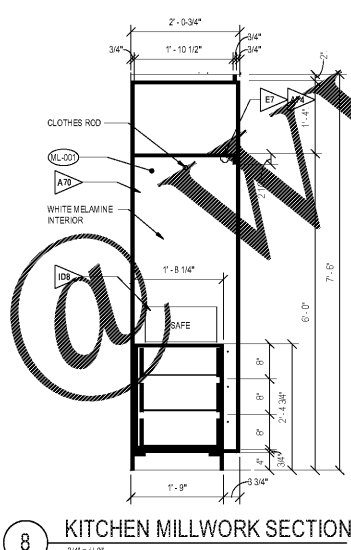
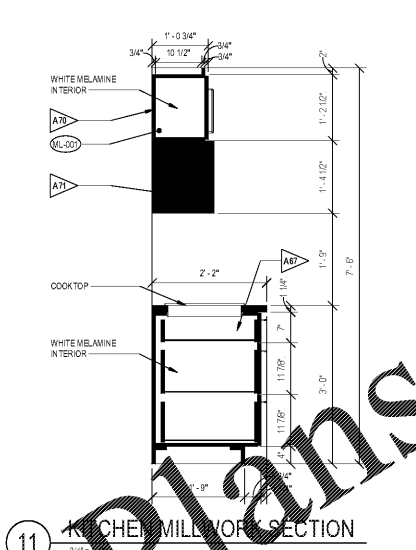
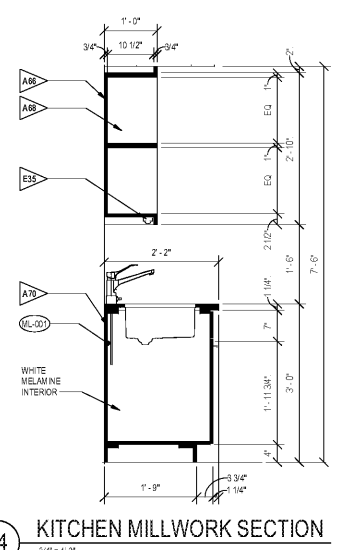
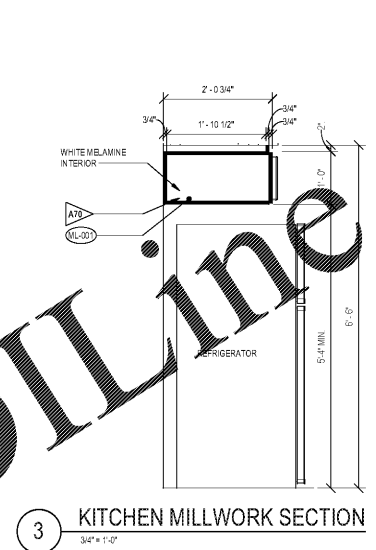
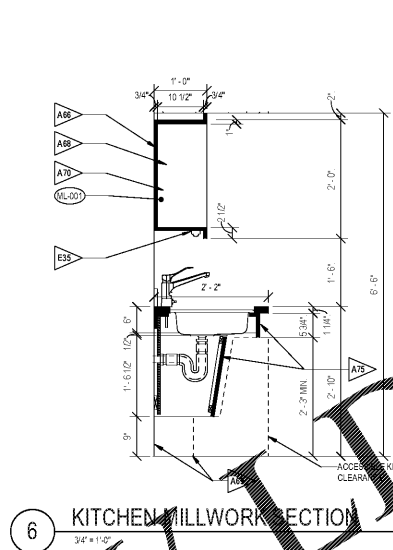
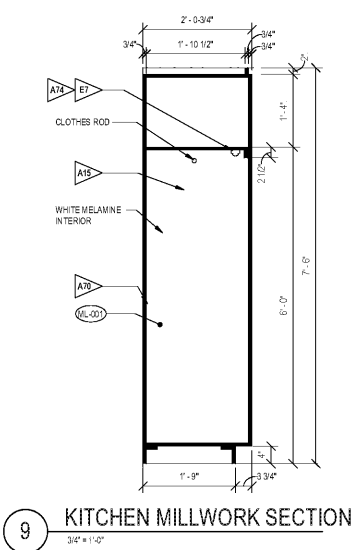
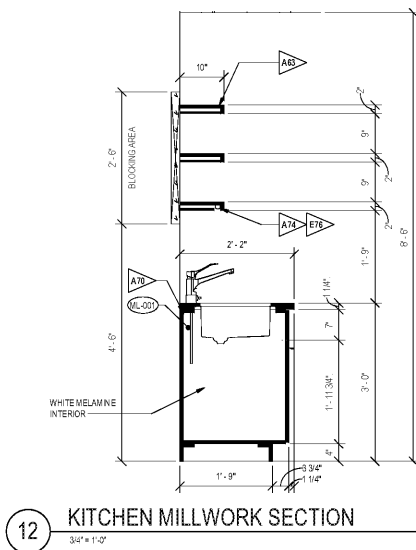
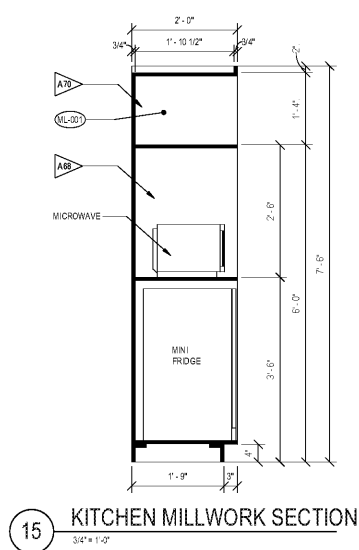


in progress



REFERENCE NOTES	
A.	REFER TO DESIGN STANDARDS, "GUESTROOMS" CHAPTER, FOR MAIN REQUIREMENTS RELATED TO THIS SHEET. ARCHITECT IS RESPONSIBLE FOR DESIGNING PROJECT IN ACCORDANCE WITH THE ENTIRE DESIGN STANDARDS.
GENERAL NOTES	
1.	PROVIDE BLOCKING AS REQUIRED FOR MILLWORK, WALL HUNG CABINETS AND SHELVING.
A0 ARCHITECTURAL	
A83	BRACKET CONCEALED BY SHELF. PROVIDE HEAVY DUTY FLOATING SHELF CONCEALED.
A86	HARDWARE PROVIDE BLOCKING AS REQUIRED. MILLWORK TO FASTEN SHELF TO BACK PANEL AND PROVIDE DOWELS AS REQUIRED TO SUPPORT SHELF.
A88	INSIDE SHELF TO RECEIVE LA-001. LA-002 ON BACK PANEL ONLY.
A89	FLOOR AND WALL FINISHES TO EXTEND BEYOND CABINET.
A70	MILLWORK IDENTIFIED AS ML-001. REFER TO THE BUILDING PRODUCT MANUAL (BPM) FOR SPECIFICATIONS. SPECIFICATIONS MUST BE UTILIZED IN COORDINATION WITH THE DRAWINGS. ALL KITCHEN MILLWORK MUST BE COMPLIANT WITH THE MARKOTT KITCHEN MILLWORK SPECIFICATIONS PROVIDED IN THE DRAWINGS.
A71	IF ANOTHER MICROWAVE IS SELECTED, MILLWORK, TILE AND SHELF LOCATIONS NEED TO BE COORDINATED. TILE IS TO ALIGN WITH THE UNDERSIDE OF THE MICROWAVE.
A74	MILLWORK TO PROVIDE LIGHT INTEGRATED INTO SHELF AND CLOSET.
A75	APRON AND REMOVABLE PANEL WITH 3/4" PLYWOOD SUPPORTS AT EACH END BETWEEN CABINETS. VERIFY PIPE CLEARANCE WITH REMOVABLE PANEL. PROVIDE SUPPORT CLEATS AND FRAME AS REQUIRED.
E0 ENGINEERING	
E38	STRIP LIGHTS MOUNTED AT UNDERSIDE OF SHELF. THE MARK NUMBER INDICATED IS FOR THE SET OF UNDERCABINET LIGHTS AND ASSOCIATED PARTS FOR THIS GUESTROOM. BUILT-IN SHELF LIGHTING AND CLOSET LIGHTS ARE SPECIFIED SEPARATELY. CONCEAL HARDWIRE CONNECTION POINT BEHIND SHELF. GO TO WIRE LIGHT TO WALL SWITCH.
ID0 INTERIOR DESIGN	
ID8	SAFE PROVIDED BY OWNER.

Order Plans

WWW.AJDDLINE.COM

1925 Prospect Ave.
Orlando, FL 32814
P (407) 661-9100
F (407) 661-9101
www.r.p.com



CLIENT NAME
HUTTON DEVELOPMENT
736 Cherry Street
Chattanooga, TN 37402

PROJECT NAME
ROCKLEDGE FLATS - BUILDING A
220 Barton Boulevard
Rockledge, FL 32955

Revision Schedule		
No.	Description	Date

PROJECT NO. 21002
DATE 11/15/2019
DRAWN BY
CHECKED BY
DATE 11/15/2019

GMP PRICING SET 15 NOVEMBER 2019

A-553