

GENERAL CASEWORK NOTES

1. PLACEHOLDER
2. PLACEHOLDER
3. PLACEHOLDER

REVIEW

TYP. HARDWARE

HD-1 (CABINET PULLS) HARDWARE RESOURCES ITEM J0254-06-WHITE BLACK FNISH-4-3/16" FOR ALL DOORS AND DRAWERS

HD-2 FLIGHT BIN/ALTERNATIVE OPEN SHELVES

HD-3 COUNTERTOP

HD-4 FLUSH 2 SLOT GROMMET MOCKETT P5-C-1 3/4" FLUSH MOUNT 2 SLOT DESK GROMMET-BLACK CHROME (2) FINISH

REVIEW

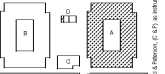
1925 Prospect Ave.
Orlando, FL 32814
P (407) 661-9100
F (407) 661-9101
www.r.p.e.com

Colucci & Peterson
Architects Engineers Planners

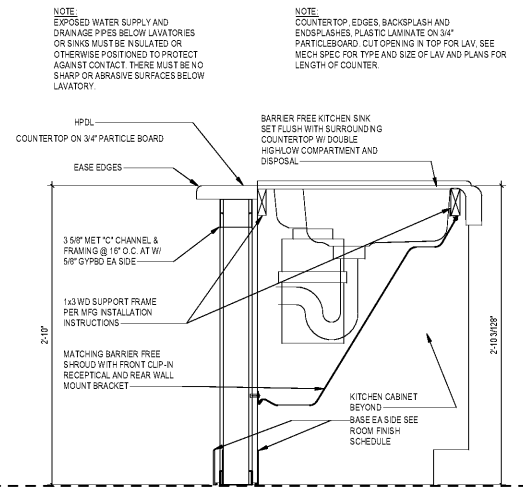
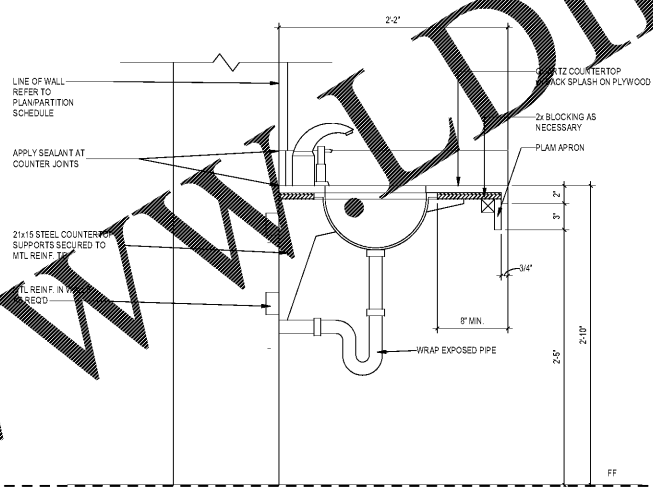
OHM
ARCHITECTS ENGINEERS PLANNERS

300 10th Avenue, Suite 300
Nashville, TN 37203
404.252.8824 | 615.252.8833
ohm.com

SITE KEY:

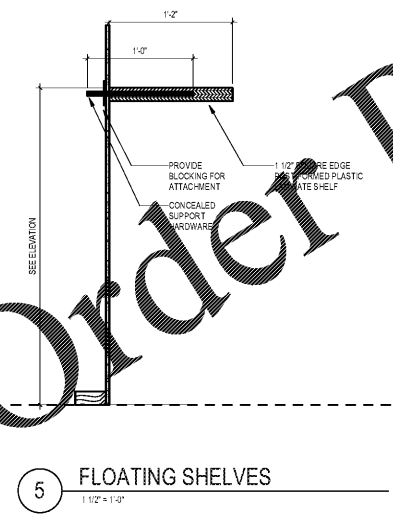


WWW.DILine.com

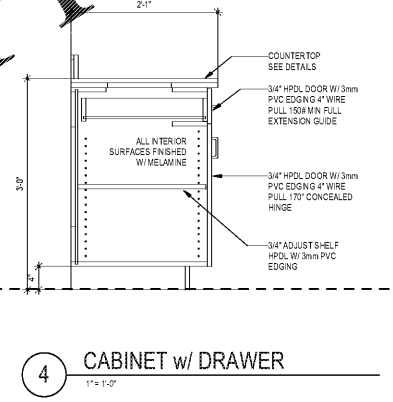


7 SOLID SURFACE RESTROOM COUNTER DETAIL
1 1/2" x 1 1/2"

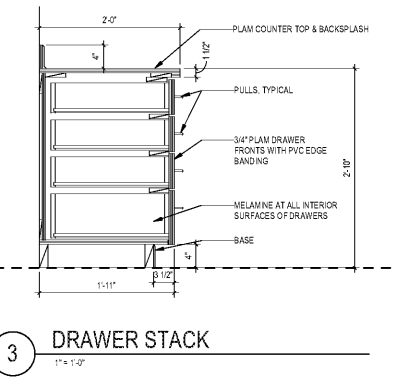
6 ADA VANITY WITH PIPE GUARD
1 1/2" x 1 1/2"



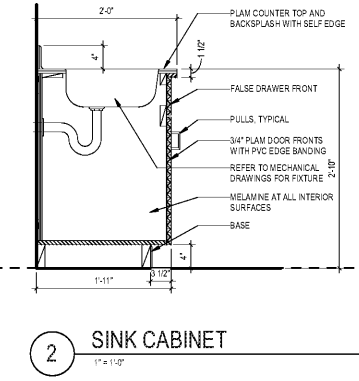
5 FLOATING SHELVES
1 1/2" x 1 1/2"



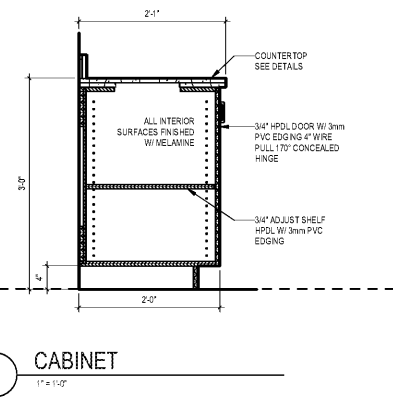
4 CABINET w/ DRAWER
1 1/2" x 1 1/2"



3 DRAWER STACK
1 1/2" x 1 1/2"



2 SINK CABINET
1 1/2" x 1 1/2"



1 CABINET
1 1/2" x 1 1/2"

Order Plans @ WWW.DILine.com

CLIENT NAME
HUTTON DEVELOPMENT
756 Cherry Street
Chattanooga, TN 37402

PROJECT NAME
ROCKLEDGE FLATS - BUILDING A
220 Barton Boulevard
Rockledge, FL 32955

SHEET TITLE
CASEWORK DETAILS

Revision Schedule	
No.	Description

PROJECT NO. 21002	DATE 11/15/2019	DRAWN [Signature]	CHECKED [Signature]
----------------------	--------------------	----------------------	------------------------

GMP PRICING SET 15 NOVEMBER 2019