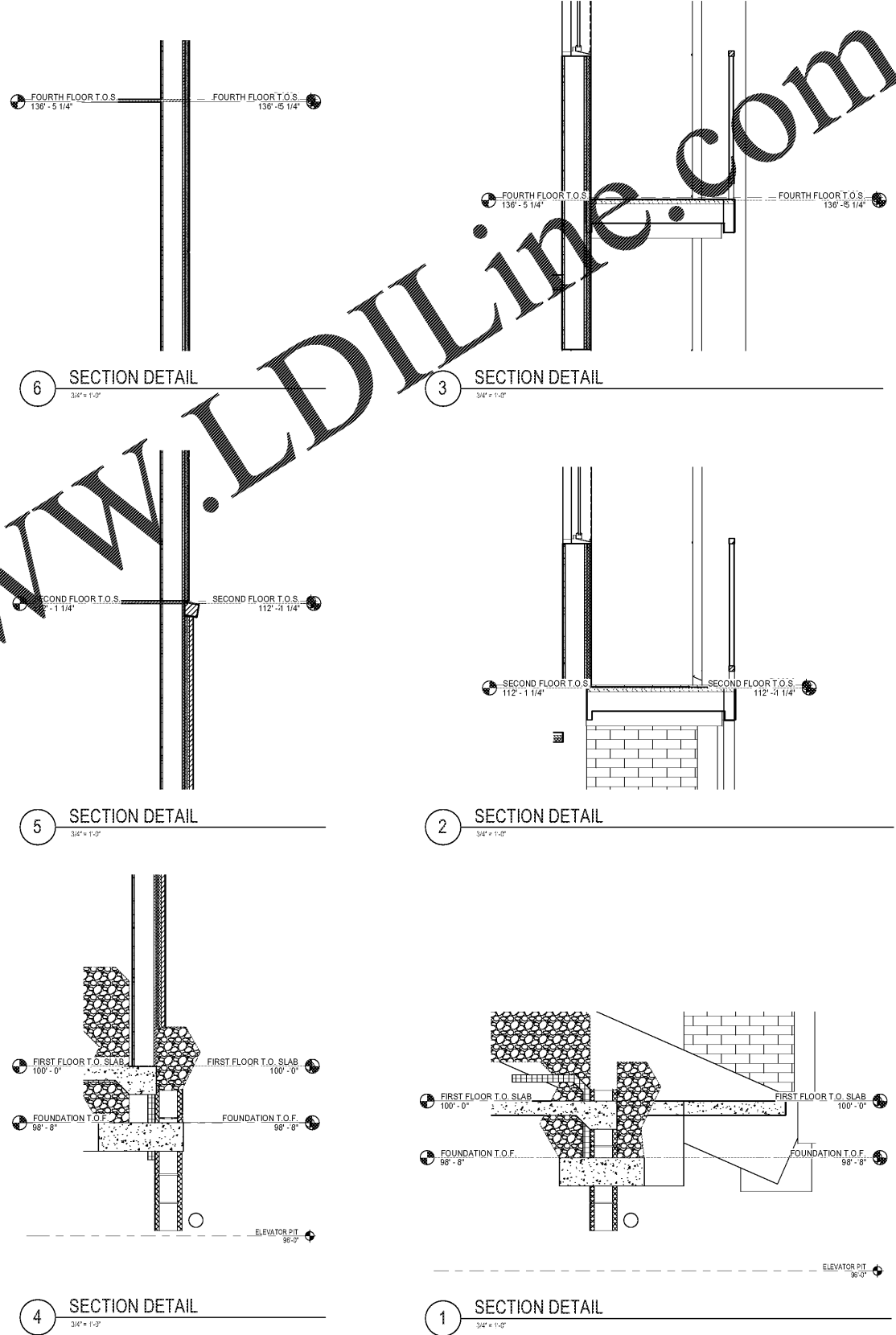
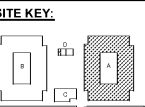
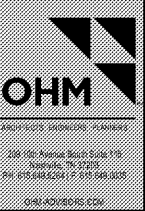


Order Plans @ www.LDILine.com



1925 Prospect Ave.
Orlando, FL 32814
P (407) 661-9100
F (407) 661-9101
www.r.p.a.com

Chalaci & Peterson
Architects Engineers Planners



CLIENT NAME
HUTTON DEVELOPMENT
756 Cherry Street
Chattanooga, TN 37402

PROJECT NAME
ROCKLEDGE FLATS - BUILDING A
220 Barton Boulevard
Rockledge, FL 32955

SHEET TITLE
ELEVATION DETAILS

Revision Schedule	
No.	Description

PROJECT NO. 21002	DATE 11/15/2019	DRAWN N/A	CHECKED
----------------------	--------------------	--------------	-------------

GMP PRICING SET 15 NOVEMBER 2019