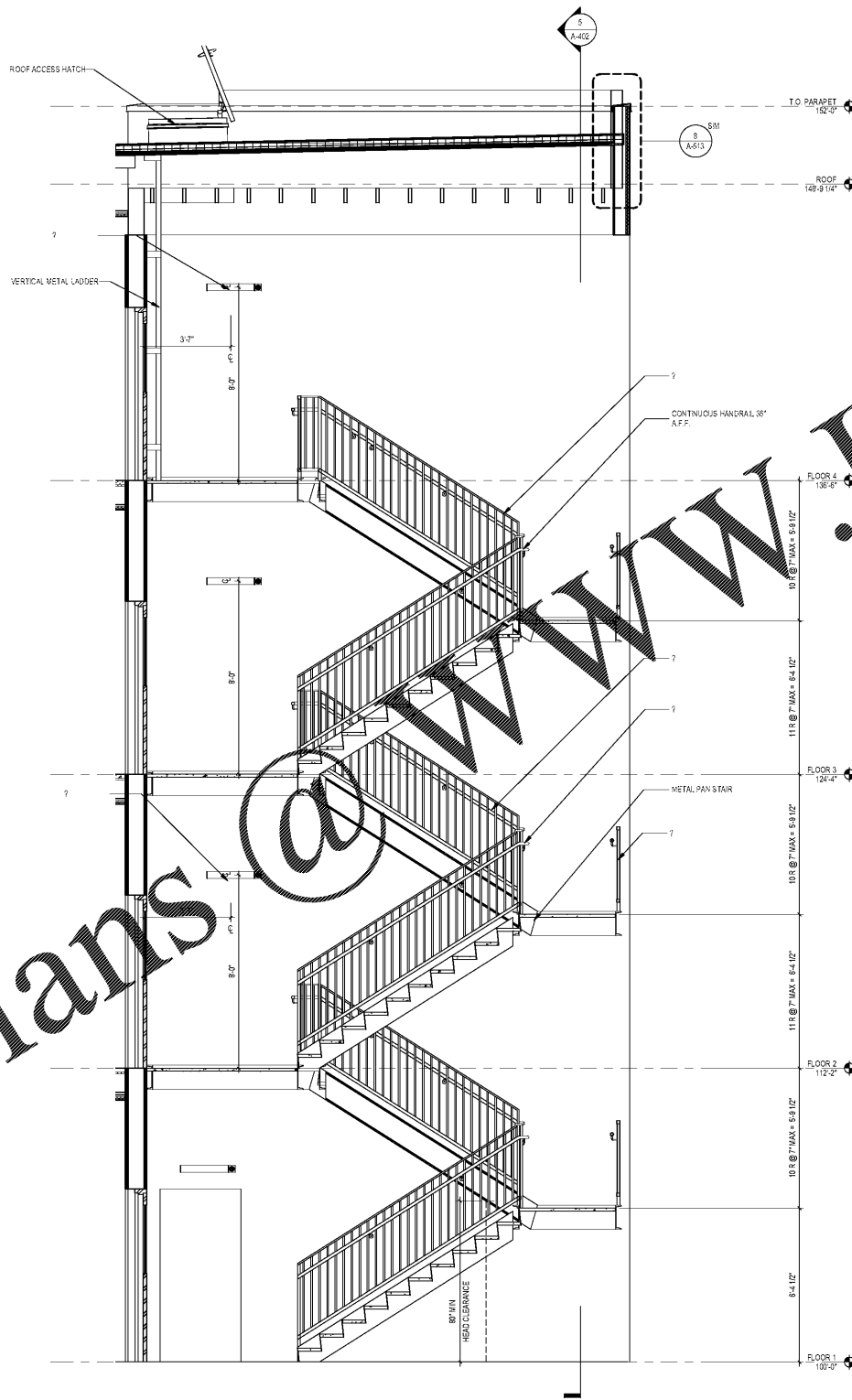
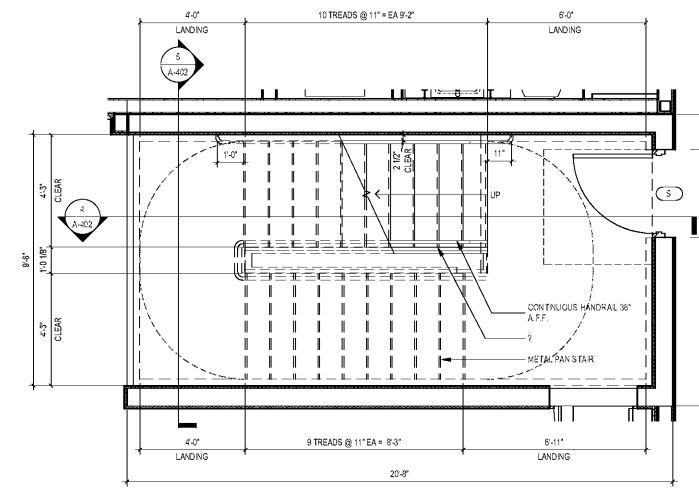


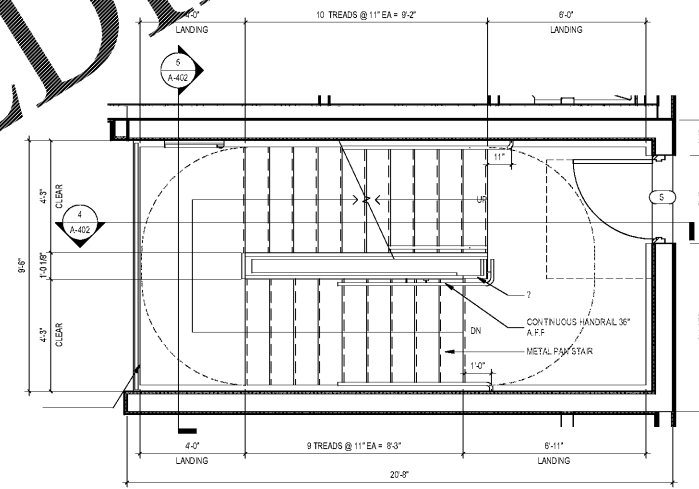
5 SOUTH STAIR SECTION  
3/8" x 1'-0"



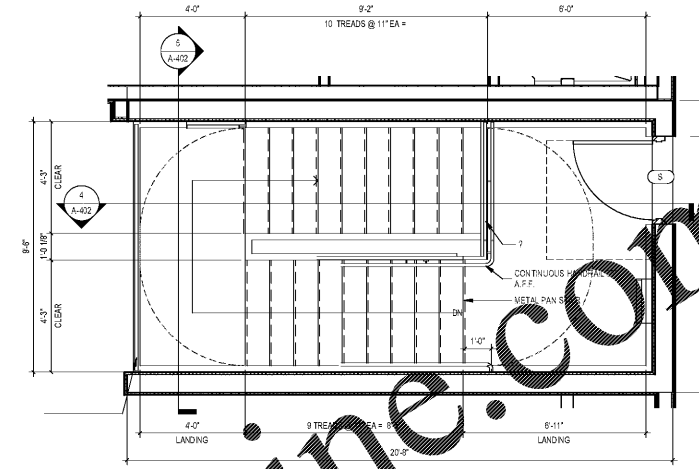
4 SOUTH STAIR SECTION  
3/8" x 1'-0"



1 ENLARGED SOUTH STAIR @ FLOOR 1  
3/8" x 1'-0"



2 ENLARGED SOUTH STAIR @ FLOOR 2 & 3  
3/8" x 1'-0"



3 ENLARGED SOUTH STAIR @ FLOOR 4  
3/8" x 1'-0"

GENERAL STAIR & ELEVATOR NOTES

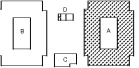
- 1 PLACEHOLDER
- 2 PLACEHOLDER
- 3 PLACEHOLDER

1925 Prospect Ave.  
Orlando, FL 32814  
P (407) 661-9100  
F (407) 661-9101  
www.r.p.e.com



OHM  
Architects, Engineers, Planners  
300 West Park Blvd., Suite 100  
Chattanooga, TN 37402  
Tel: 423.266.1111  
Fax: 423.266.1112  
www.ohm.com

SITE KEY:



CLIENT NAME  
**HUTTON DEVELOPMENT**  
756 Cherry Street  
Chattanooga, TN 37402

PROJECT NAME  
**ROCKLEDGE FLATS - BUILDING A**  
220 Barton Boulevard  
Rockledge, FL 32955

SHEET TITLE  
**SOUTH STAIR PLANS AND SECTIONS**

Revision Schedule	
No.	Description

PROJECT NO. 21002	DATE 11/15/2019	DRAWN [Signature]	CHECKED [Signature]
----------------------	--------------------	----------------------	------------------------

A-402

GMP PRICING SET 15 NOVEMBER 2019