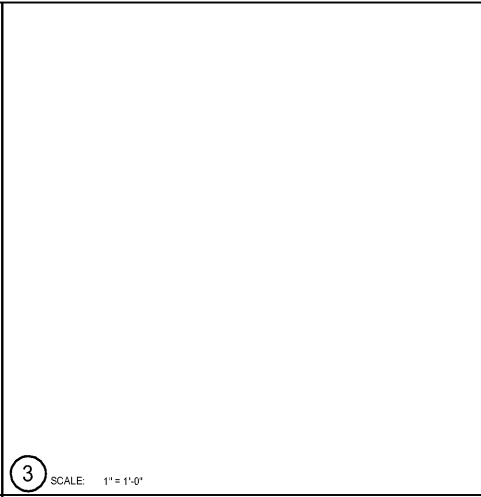


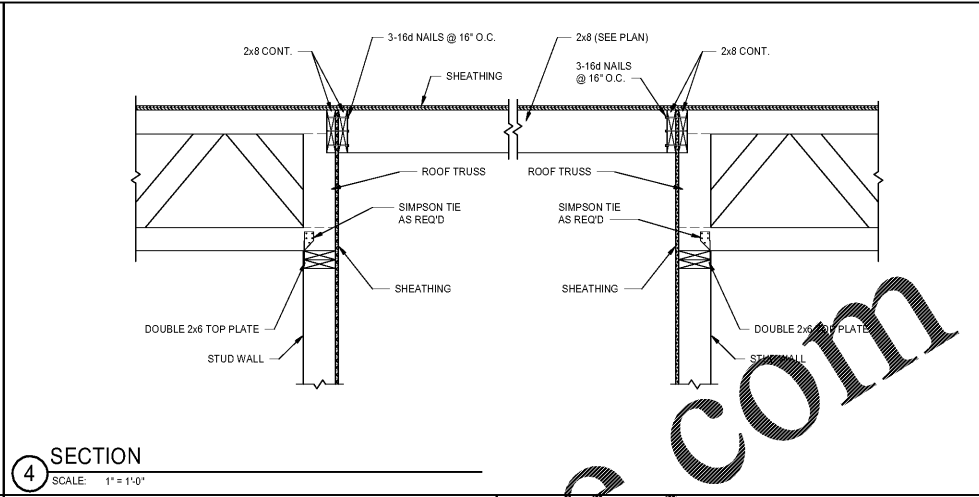
1 SECTION
SCALE: 1" = 1'-0"



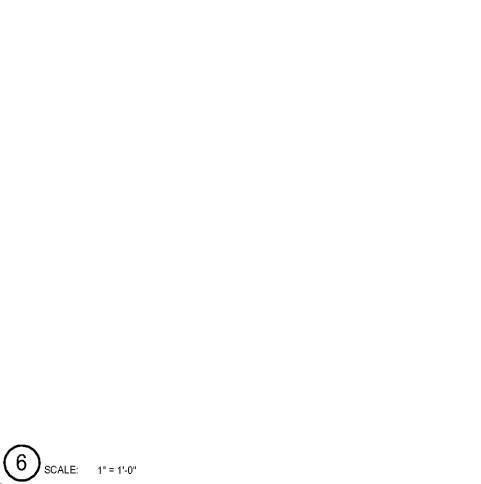
2 SCALE: 1" = 1'-0"



3 SCALE: 1" = 1'-0"



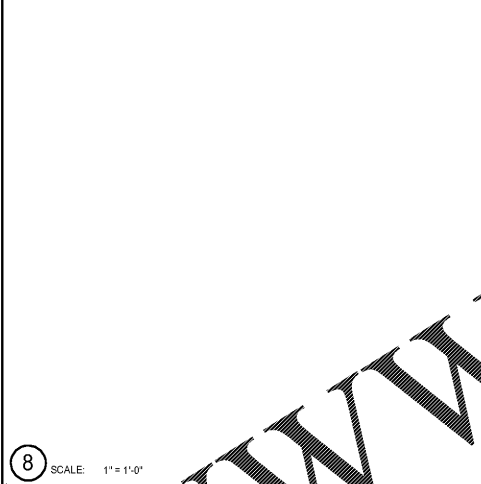
4 SECTION
SCALE: 1" = 1'-0"



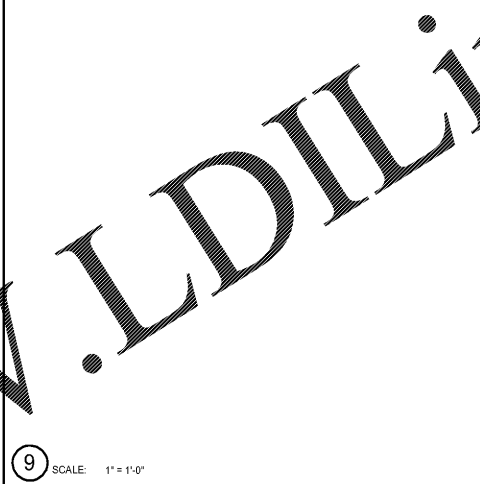
6 SCALE: 1" = 1'-0"



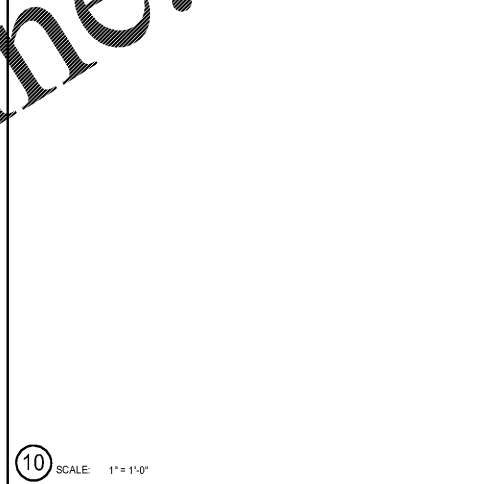
7 SCALE: 1" = 1'-0"



8 SCALE: 1" = 1'-0"



9 SCALE: 1" = 1'-0"



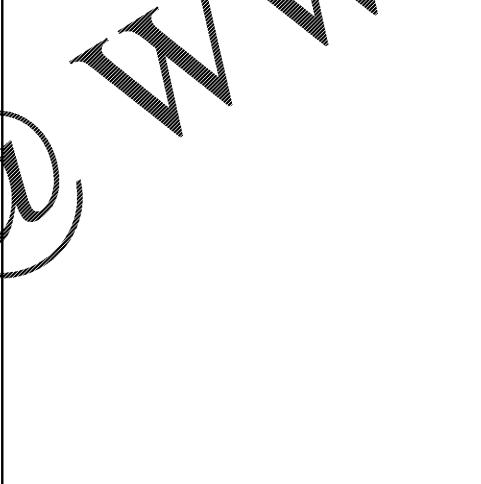
10 SCALE: 1" = 1'-0"



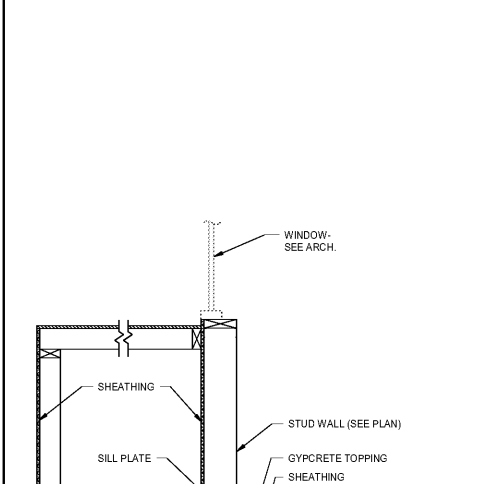
6 SCALE: 1" = 1'-0"



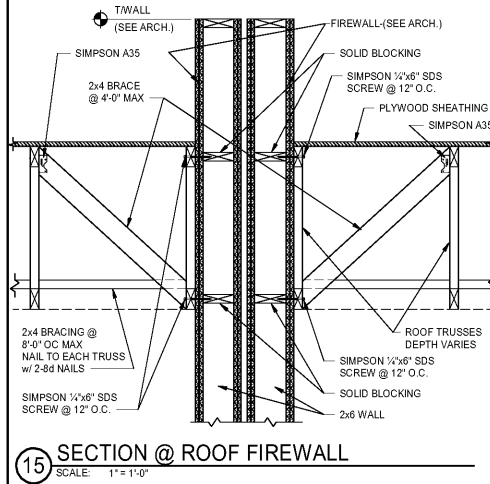
7 SCALE: 1" = 1'-0"



8 SCALE: 1" = 1'-0"



9 SCALE: 1" = 1'-0"



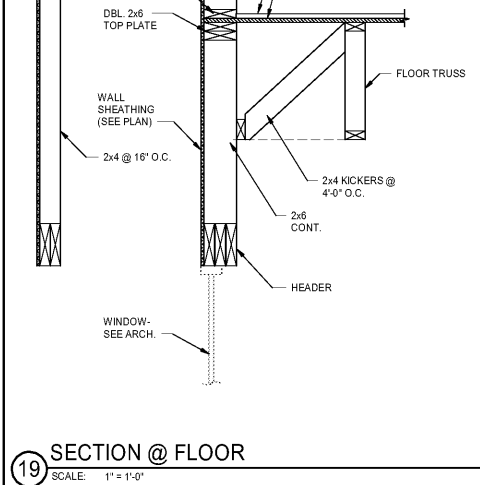
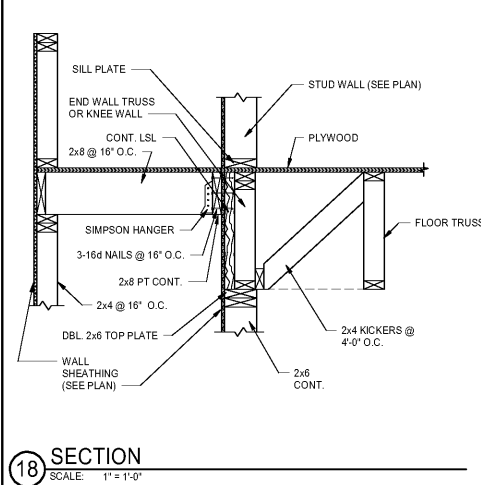
15 SECTION @ ROOF FIREWALL
SCALE: 1" = 1'-0"



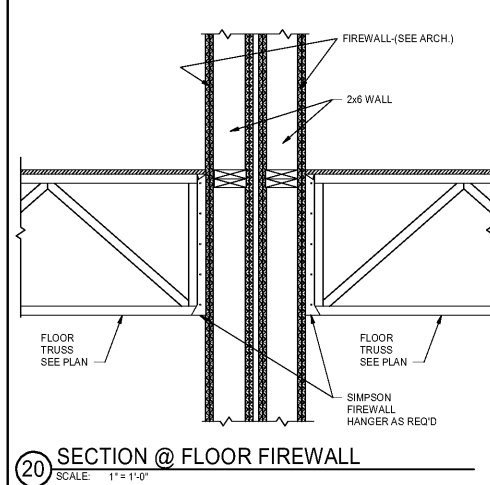
18 SECTION
SCALE: 1" = 1'-0"



19 SECTION @ FLOOR
SCALE: 1" = 1'-0"



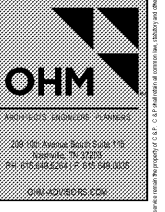
19 SECTION @ FLOOR
SCALE: 1" = 1'-0"



20 SECTION @ FLOOR FIREWALL
SCALE: 1" = 1'-0"

Order Plans @ www.LDILine.com

1925 Prospect Ave.
Orlando, FL 32814
P (407) 661-9100
F (407) 661-9101
www.rp.com



PROJECT NAME
HUTTON DEVELOPMENT

PROJECT NAME
ROCKLEDGE FLATS - BUILDING "A"
220 Baron Boulevard
Rockledge, FL 32955



Revision Schedule	
No.	Description

PROJECT NO. 054015010	DATE 20/09/20	DRAWN 	CHECKED
--------------------------	------------------	-----------	-------------

S304

GMP PRICING SET 15 NOVEMBER 2019