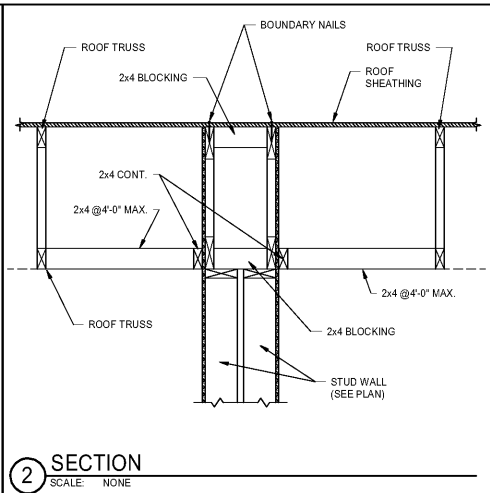
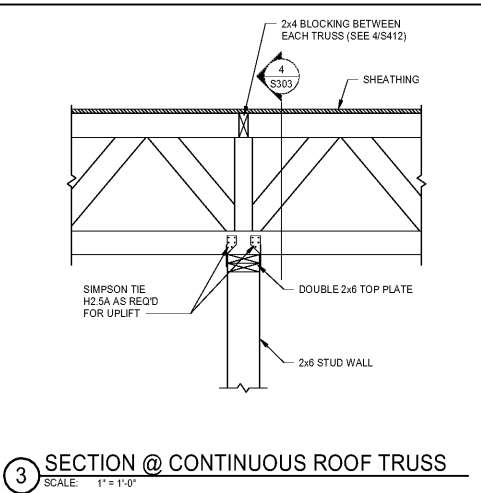


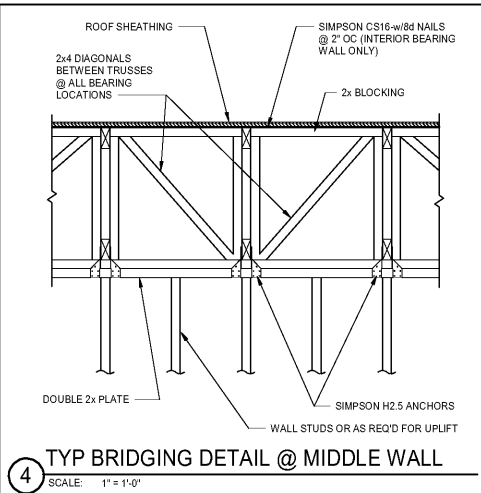
1 SECTION  
SCALE: NONE



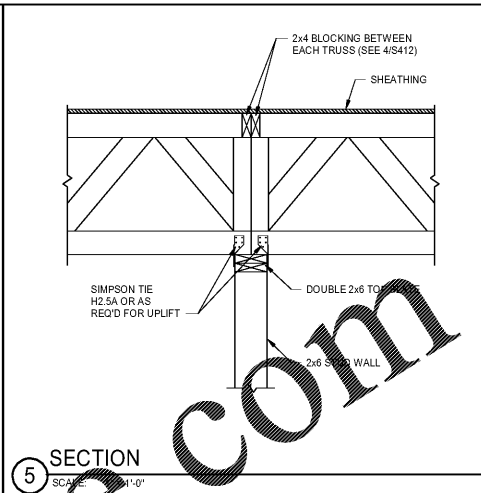
2 SECTION  
SCALE: NONE



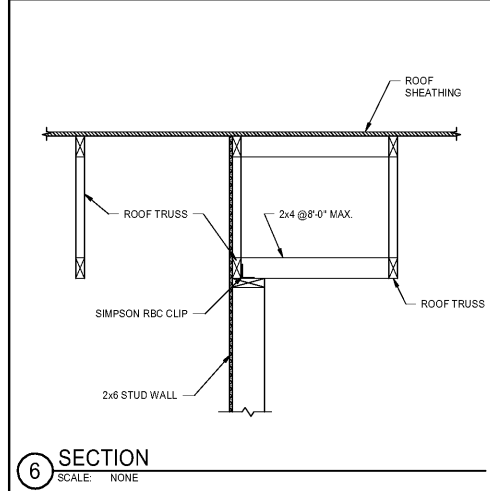
3 SECTION @ CONTINUOUS ROOF TRUSS  
SCALE: 1" = 1'-0"



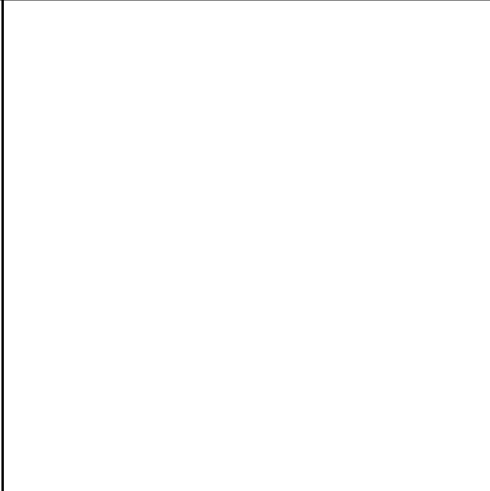
4 TYP BRIDGING DETAIL @ MIDDLE WALL  
SCALE: 1" = 1'-0"



5 SECTION  
SCALE: 1" = 1'-0"



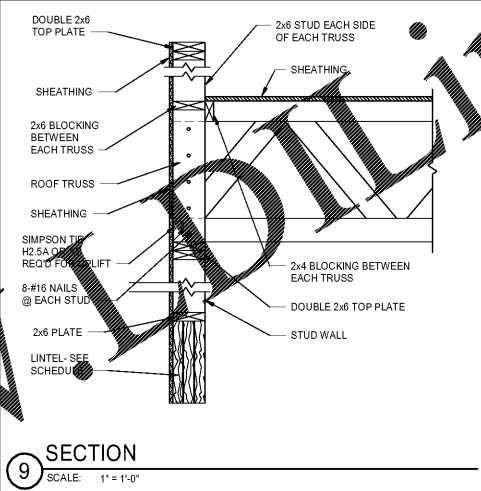
6 SECTION  
SCALE: NONE



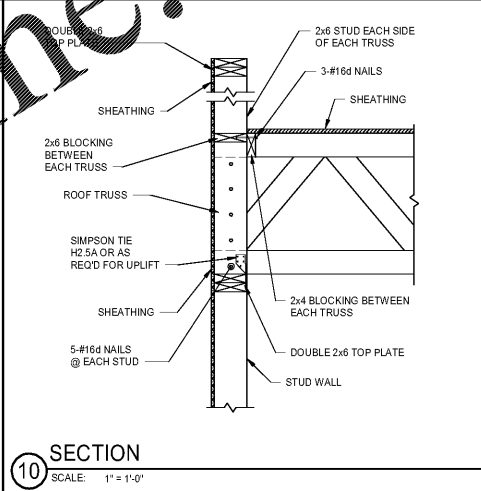
7 SECTION  
SCALE: NONE



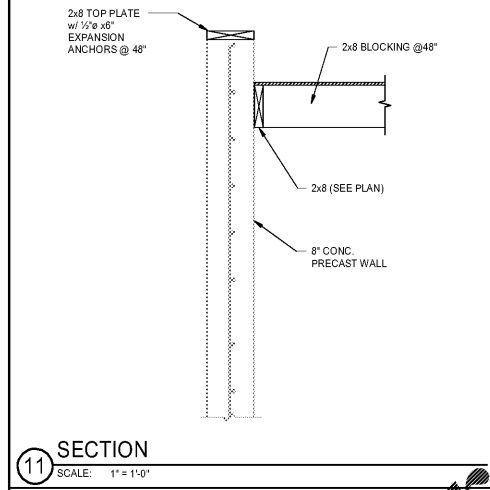
8 SECTION  
SCALE: NONE



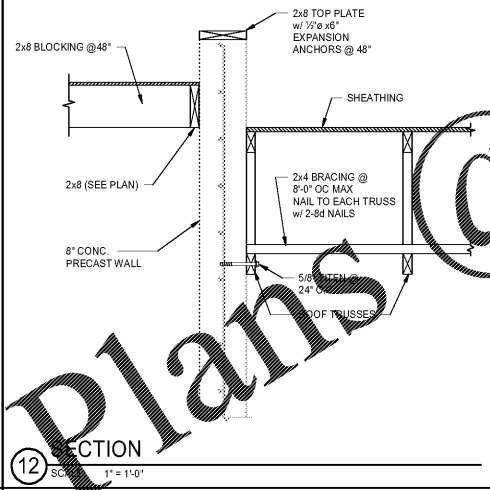
9 SECTION  
SCALE: 1" = 1'-0"



10 SECTION  
SCALE: 1" = 1'-0"



11 SECTION  
SCALE: 1" = 1'-0"



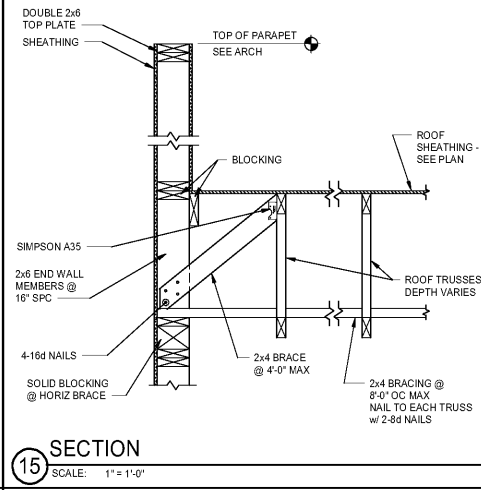
12 SECTION  
SCALE: 1" = 1'-0"



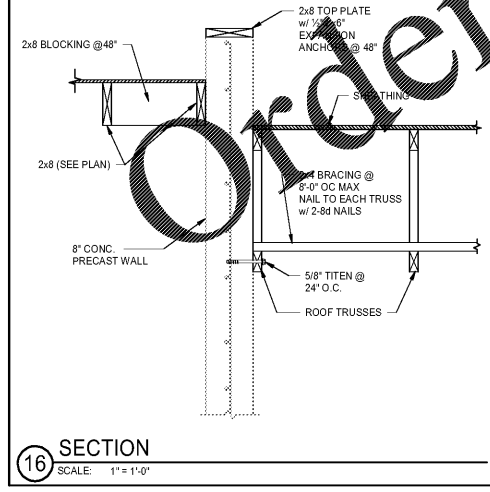
13 SECTION  
SCALE: 1" = 1'-0"



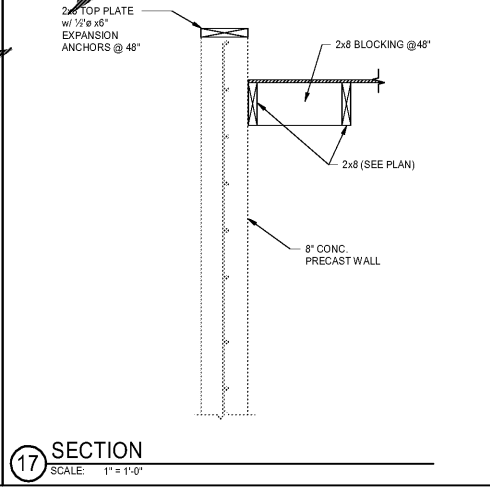
14 SECTION  
SCALE: 1" = 1'-0"



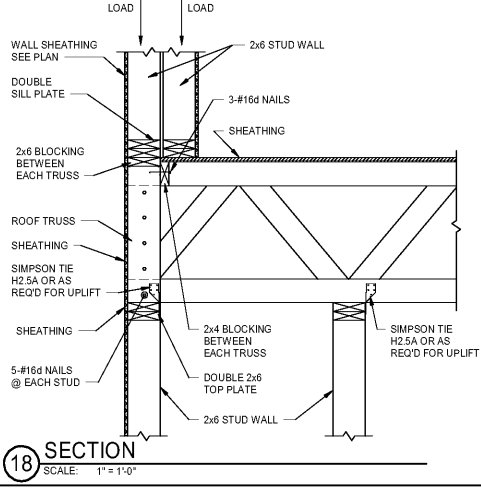
15 SECTION  
SCALE: 1" = 1'-0"



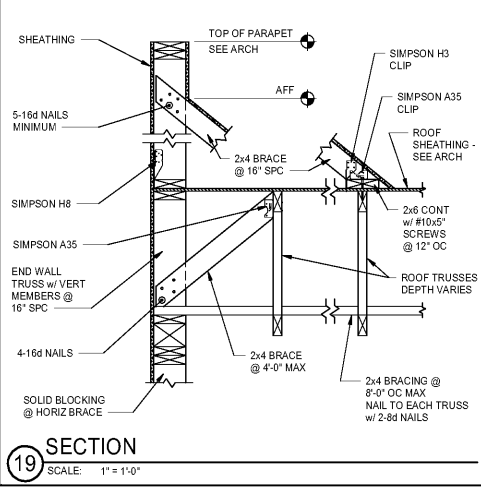
16 SECTION  
SCALE: 1" = 1'-0"



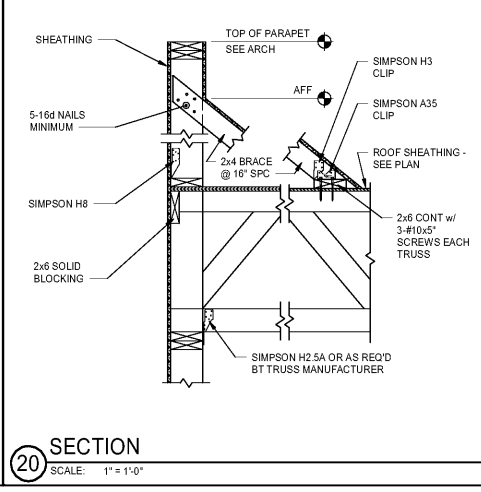
17 SECTION  
SCALE: 1" = 1'-0"



18 SECTION  
SCALE: 1" = 1'-0"



19 SECTION  
SCALE: 1" = 1'-0"



20 SECTION  
SCALE: 1" = 1'-0"

Order Plans @

WWW.Online.com

1925 Prospect Ave.  
Orlando, FL 32814  
P (407) 661-9100  
F (407) 661-9101  
www.rp.com

**Calacaci & Peterson**  
Architects Engineers Planners

**OHM**  
Structural Engineering

PROJECT NAME: **ROCKLEDGE FLATS - BUILDING "A"**  
PROJECT ADDRESS: **220 Baron Boulevard, Rockledge, FL 32955**  
CLIENT: **HUTTON DEVELOPMENT**  
SHEET TITLE: **ROOF FRAMING DETAILS**

DATE: 11-15-2019  
DRAWN BY: [Signature]  
CHECKED BY: [Signature]

No.	Description	Date

PROJECT NO: 0540150010  
DATE: 2/10/2019  
DRAWN: [Signature]  
CHECKED: [Signature]

GMP PRICING SET 15 NOVEMBER 2019

**S303**