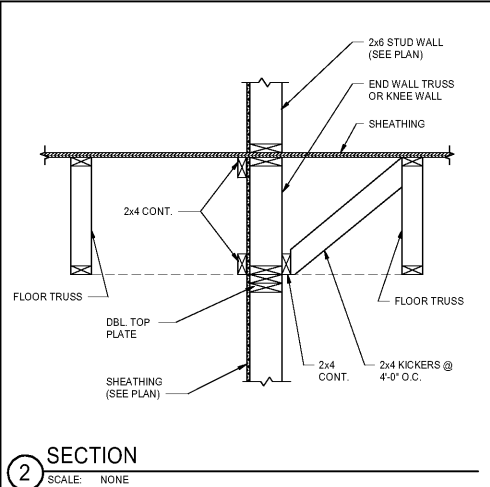
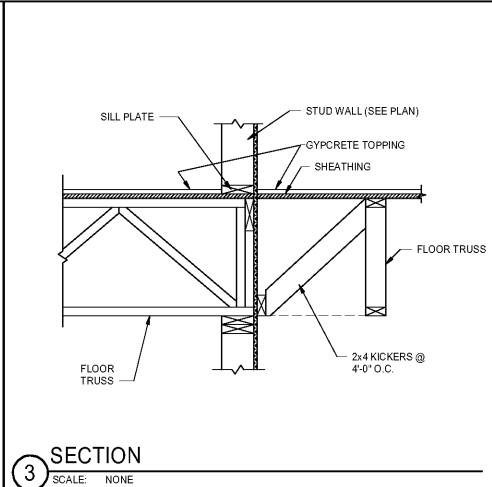


1 DETAIL
SCALE: NONE



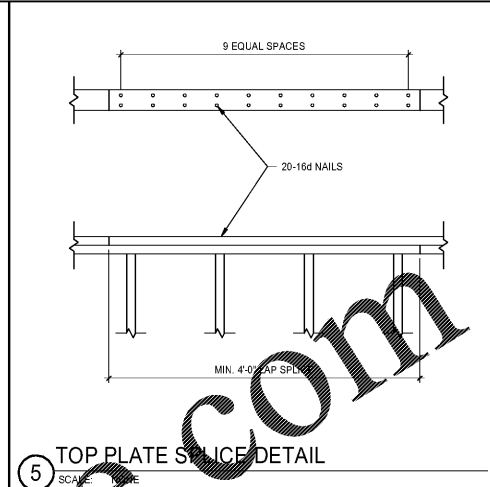
2 SECTION
SCALE: NONE



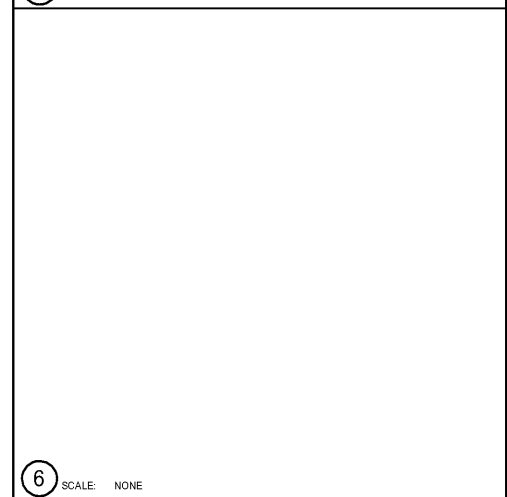
3 SECTION
SCALE: NONE

HEADER SCHED		
MAX SPAN	SIZE REQ'D	SUPPORT CONDITION
0 TO 2'-11"	2-2x6	2 FULL HEIGHT STUDS EA SIDE 1 BEARING STUD
3'-0" TO 4'-5"	2-2x8	
4'-6" TO 5'-11"	2-2x10	
6'-0" TO 7'-5"	2-2x12	2 FULL HEIGHT STUDS EA SIDE 2 BEARING STUD
7'-6" TO 9'-0"	2-11 7/8" LVL	

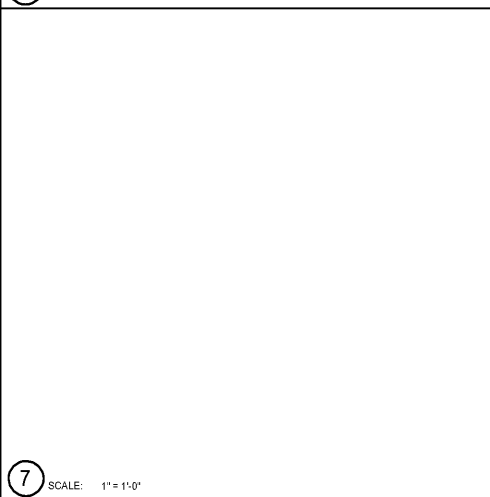
4 HEADER SCHEDULE
SCALE: NONE



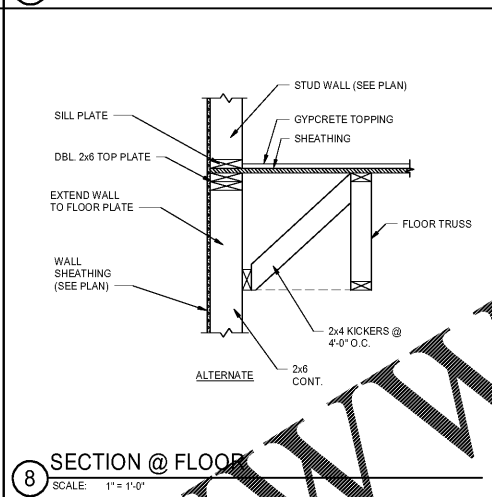
5 TOP PLATE SPLICE DETAIL
SCALE: NONE



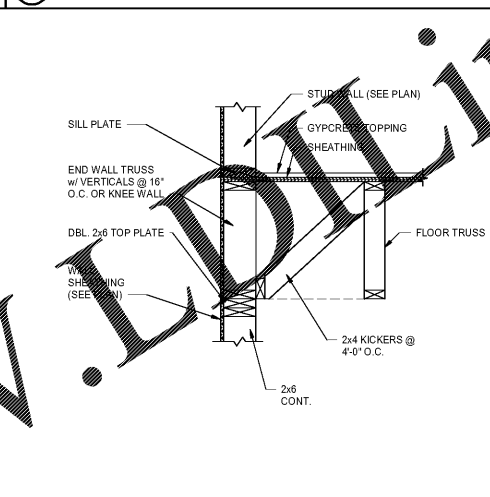
6 SECTION
SCALE: NONE



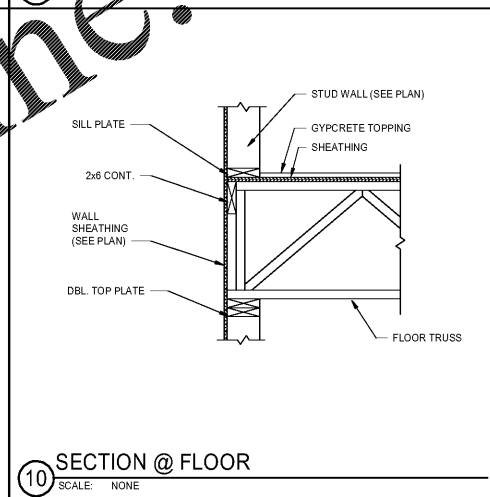
7 SECTION
SCALE: 1" = 1'-0"



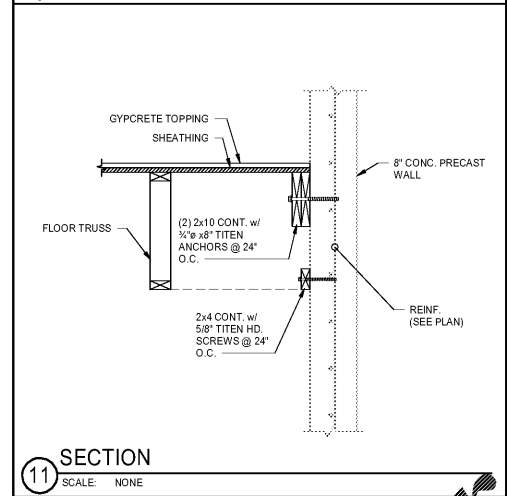
8 SECTION @ FLOOR
SCALE: 1" = 1'-0"



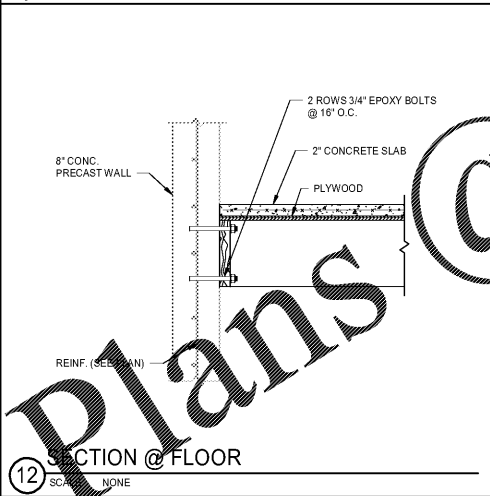
9 SECTION @ FLOOR
SCALE: NONE



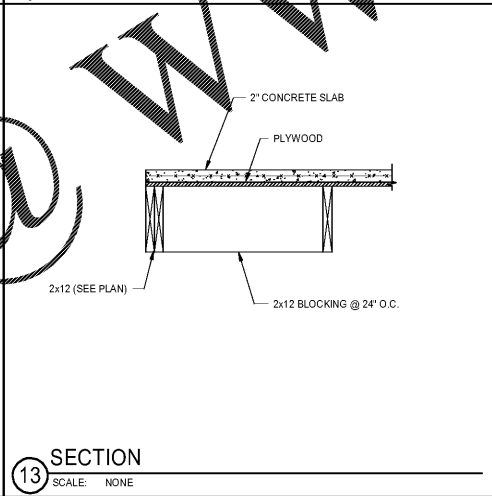
10 SECTION @ FLOOR
SCALE: NONE



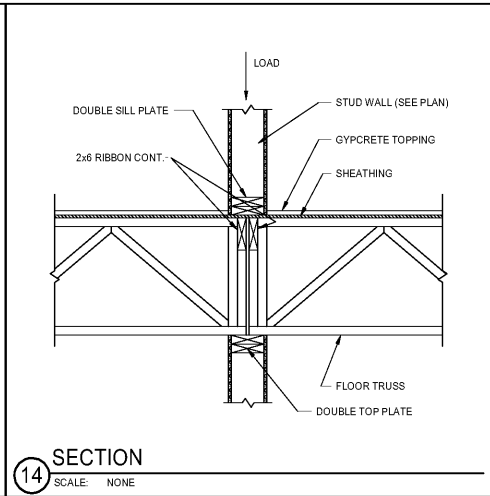
11 SECTION
SCALE: NONE



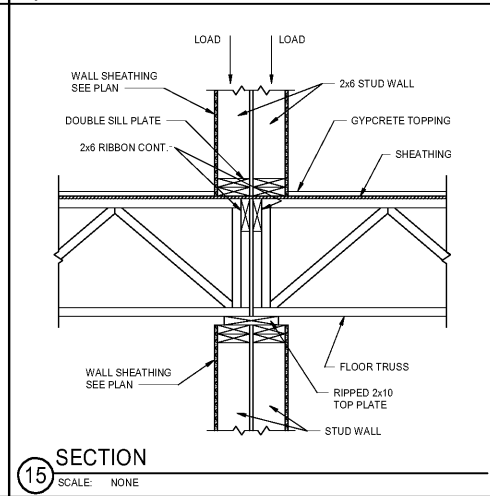
12 SECTION @ FLOOR
SCALE: NONE



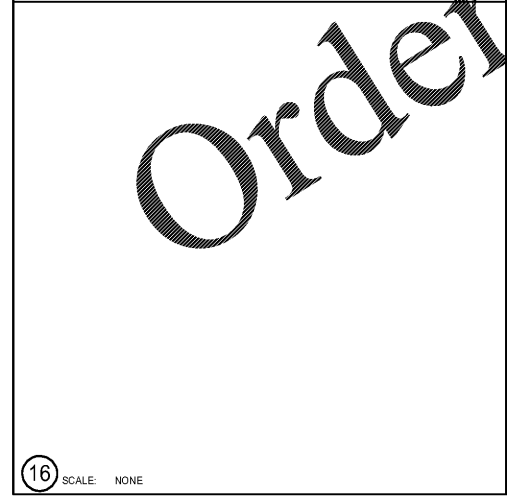
13 SECTION
SCALE: NONE



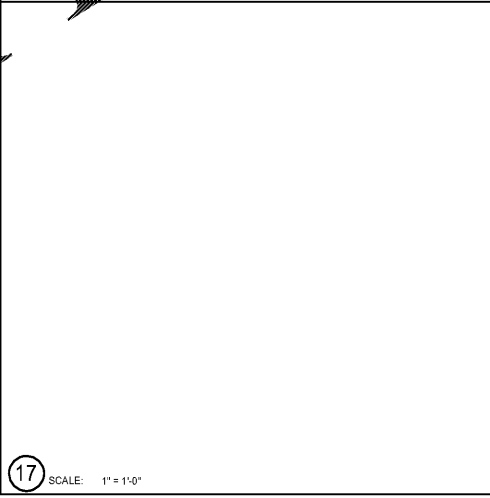
14 SECTION
SCALE: NONE



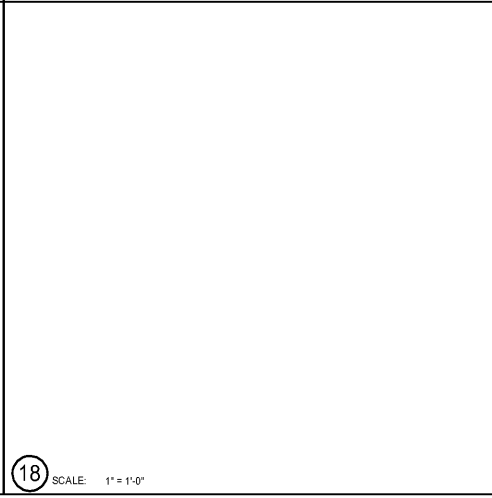
15 SECTION
SCALE: NONE



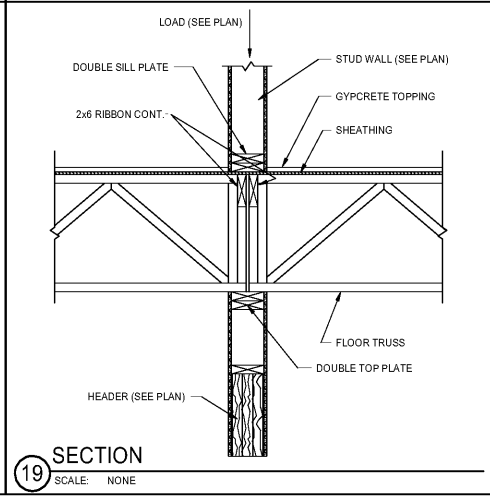
16 SECTION
SCALE: NONE



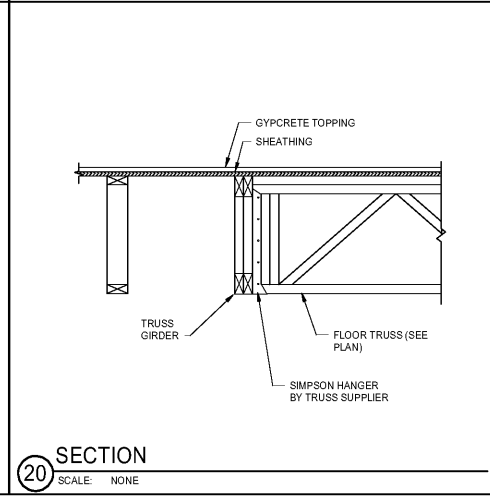
17 SECTION
SCALE: 1" = 1'-0"



18 SECTION
SCALE: 1" = 1'-0"



19 SECTION
SCALE: NONE

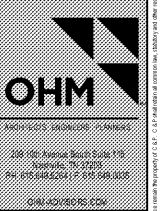


20 SECTION
SCALE: NONE

Order Plans @

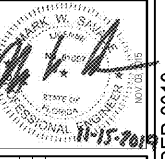
WWW.LDOLINE.COM

1925 Prospect Ave.
Orlando, FL 32814
P (407) 661-9100
F (407) 661-9101
www.rp.com



HUTTON DEVELOPMENT

ROCKLEDGE FLATS - BUILDING "A"
220 Baron Boulevard
Rockledge, FL 32955



Revision Schedule	
No.	Description

S302

GMP PRICING SET 15 NOVEMBER 2019