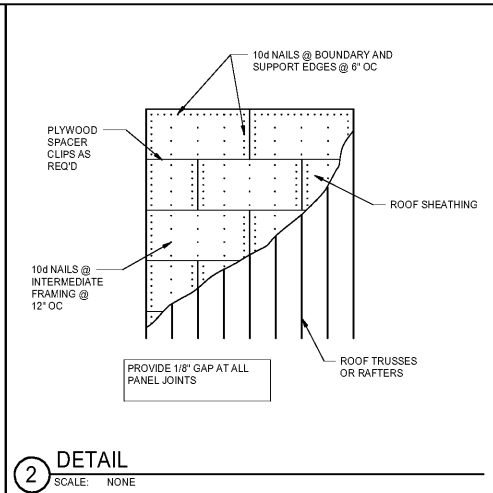
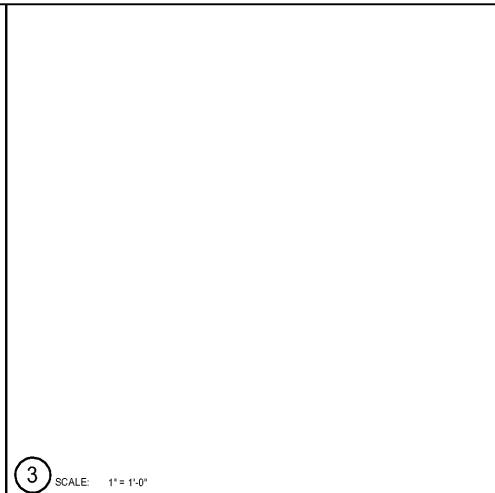


1 SCALE: 1" = 1'-0"



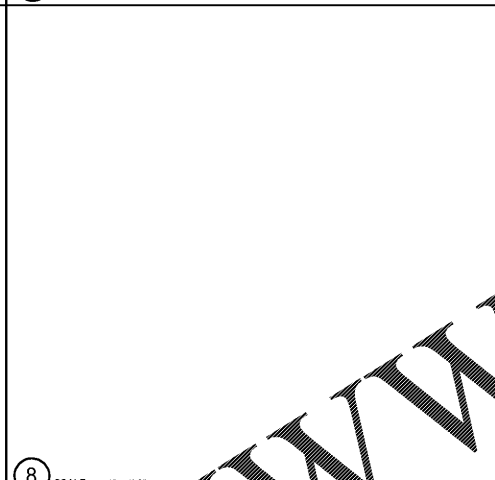
2 DETAIL SCALE: NONE



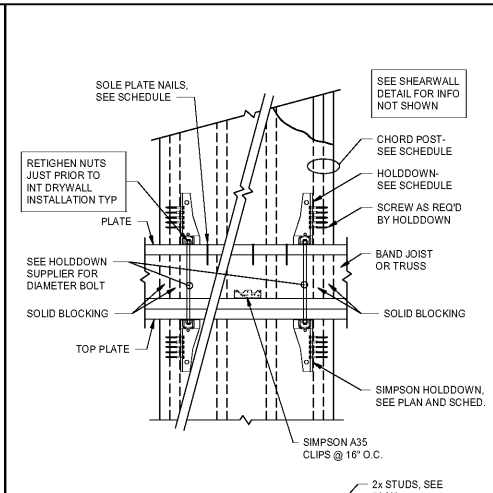
3 SCALE: 1" = 1'-0"

NAILING SCHED		
CONNECTION	FASTENER	NUMBER OR SPACING
JOIST TO BAND JOIST FACE NAIL	16D COMMON	3
JOIST TO SILL GIRDER TOE NAIL	8D COMMON	3
BRIDGING TO JOIST TOE NAIL EACH END	8D COMMON	2
LEADER STRIP	16D COMMON	3 AT EACH JOIST
1/4" SUBFLOOR OR LESS TO EA JOIST FACE NAIL	8D COMMON	2
OVER 1/4" SUBFLOOR TO EA JOIST FACE NAIL	8D COMMON	3
2" SUBFLOOR TO JOIST OR GIRDER, BLIND & FACE NAIL	8D COMMON	2
SOLE PLATE TO JOIST OR BLOCKING, FACE NAIL	16D COMMON	16" OC
TOP OR SOLE PLATE TO STUD, END NAILED	16D COMMON	2
STUD TO SOLE PLATE, TOE NAIL	16D COMMON	4
DOUBLE STUDS, FACE NAIL	10D COMMON	24" OC
DOUBLE TOP PLATES FACE NAIL	10D COMMON	16" OC
TOP PLATES, LAP AND INTERSECTIONS FACE NAIL	-----	2:16D OR 3:16D COMMON
CONTINUOUS HEADER TWO PEGS	16D COMMON	16" OC ALONG EACH EDGE
CEILING JOISTS TO PLATES TOE NAIL	8D COMMON	3
CONTINUOUS HEADER TO STUD TOE NAIL	8D COMMON	3
CEILING JOIST LAPS OVER PARTITION, FACE WALL	-----	3:16D OR 4:16D COMMON
CEILING JOIST TO PARALLEL RAFTERS, FACE NAIL	-----	3:16D OR 4:16D COMMON
RAFTER TO PLATE, TOE NAIL	8D COMMON	3
1" BRACE TO EACH STUD & PLATE, FACE NAIL	8D COMMON	2
1/4" SHEATHING OR LESS TO EA BEARING, FACE NAIL	8D COMMON	2
OVER 1/4" SHEATHING TO EACH BEARING, FACE NAIL	8D COMMON	3
BUILT UP CORNER STUDS EACH BEARING, FACE NAIL	16D COMMON	24" OC
BUILT UP BRACERS & BEAMS, OF THREE MEMBERS	20D COMMON	12" OC AT TOP & BOTTOM & STAGGERED 2 ENDS AT EACH SPLICE
2" INCH PLANKS	16D COMMON	2 EACH BEARING
STUDS TO SOLE PLATE, END NAIL	16D COMMON	2 EACH END

7 SCALE: 1" = 1'-0"



8 SCALE: 1" = 1'-0"

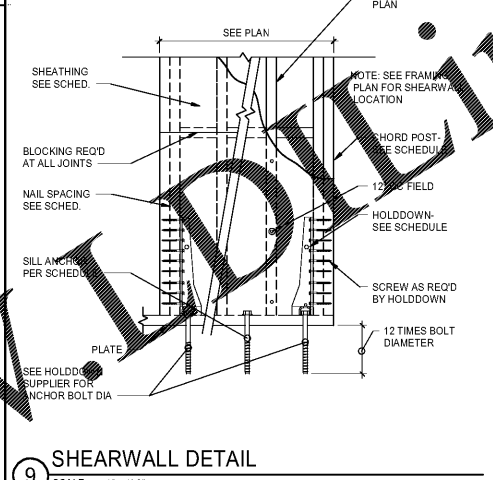


9 SHEARWALL DETAIL SCALE: 1" = 1'-0"

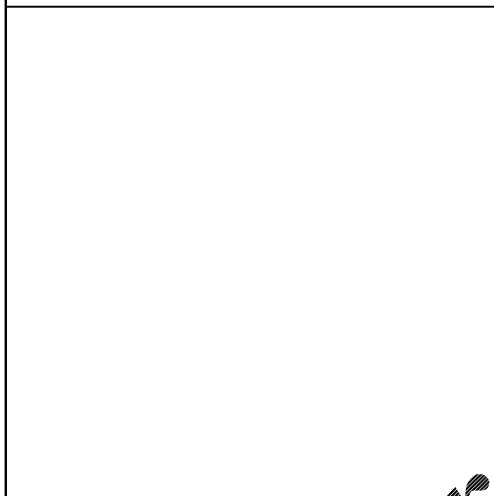
HOLD-DOWN SCHEDULE			
MARK	LEVEL	HOLD-DOWN	CAPACITY (LBS)
*	FDN	HDU2-SDS2.5	3,075
	2ND	HDU2-SDS2.5	3,075
	3RD	HDU2-SDS2.5	3,075
	4TH	HDU2-SDS2.5	3,075
▲	FDN	HDU14-SDS2.5	14,445
	2ND	HDU5-SDS2.5	(2)2x6
	3RD	HDU2-SDS2.5	(2)2x6
	4TH	HDU2-SDS2.5	(2)2x6

NOTE: CAPACITY IS SERVICE LEVEL

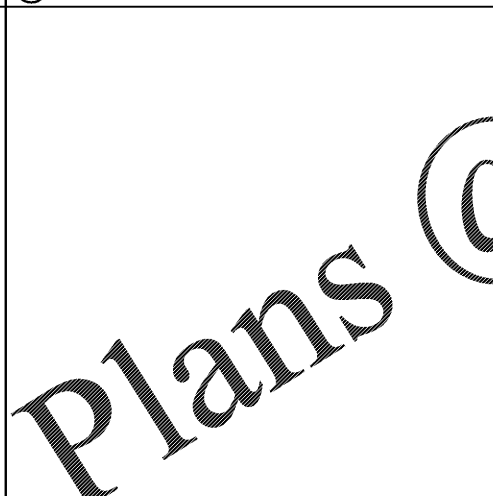
5 SCHEDULE SCALE: 1" = 1'-0"



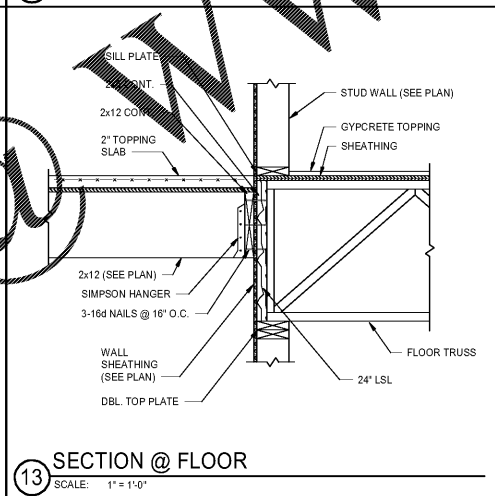
10 SECTION @ FLOOR SCALE: NONE



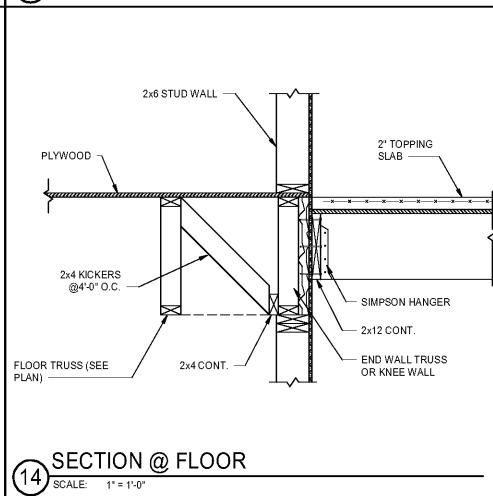
16 SECTION SCALE: 1" = 1'-0"



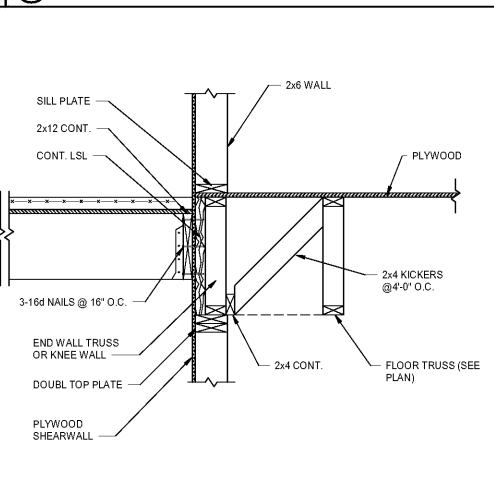
13 SECTION @ FLOOR SCALE: 1" = 1'-0"



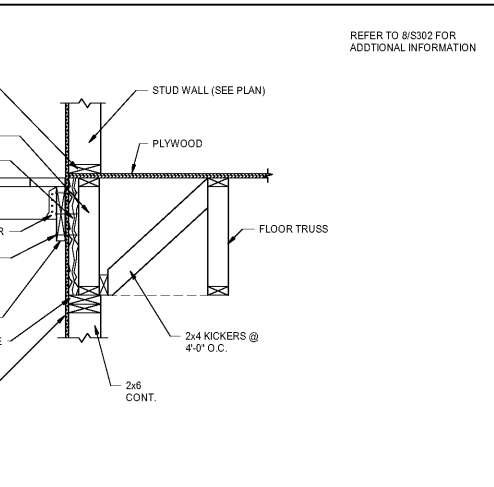
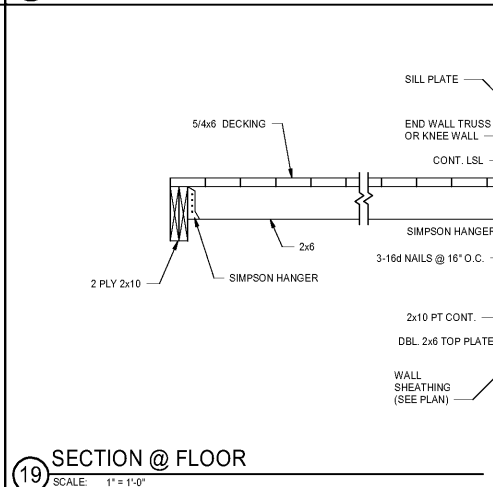
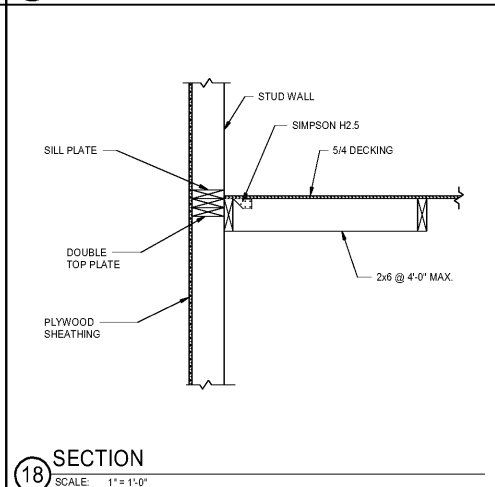
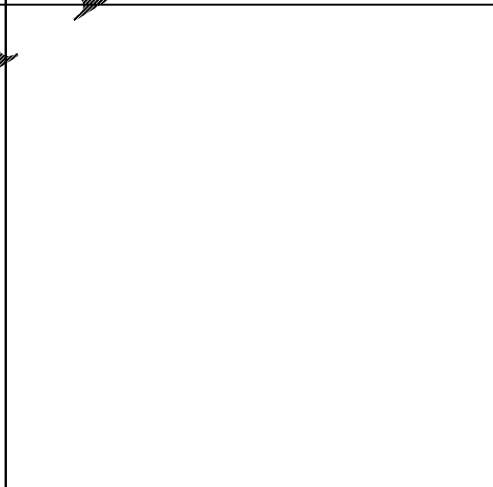
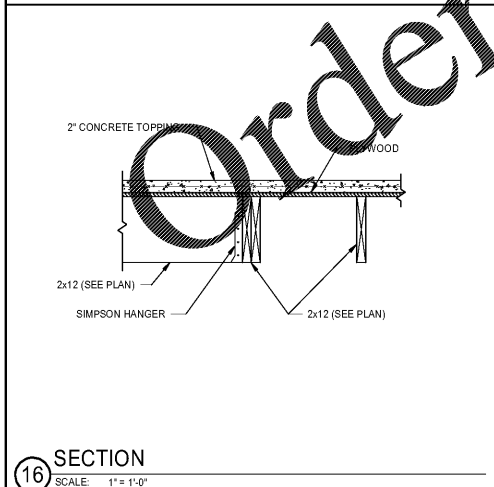
18 SECTION SCALE: 1" = 1'-0"



14 SECTION @ FLOOR SCALE: 1" = 1'-0"



19 SECTION @ FLOOR SCALE: 1" = 1'-0"



1925 Prospect Ave.
Orlando, FL 32814
P (407) 661-9100
F (407) 661-9101
www.rp.com

Colucci & Peterson
Architects Engineers Planners

OHM
Structural Engineering

PROJECT NAME: **ROCKLEDGE FLATS - BUILDING "A"**
PROJECT ADDRESS: 220 Barton Boulevard, Rockledge, FL 32955

CLIENT: **HUTTON DEVELOPMENT**

DATE: 20/09/2019
DRAWN: [Signature]
CHECKED: [Signature]

11-15-2019

GMP PRICING SET 15 NOVEMBER 2019

19181-RC19