

1 SCALE: NONE

2 SCALE: NONE

3 SCALE: 1" = 1'-0"

4 SCALE: 1" = 1'-0"

5 SECTION SCALE: 1" = 1'-0"

6 SCALE: NONE

7 SCALE: NONE

8 SCALE: 1" = 1'-0"

9 SCALE: 1" = 1'-0"

10 SCALE: 1" = 1'-0"

11 TYP COLUMN SCALE: 1" = 1'-0"

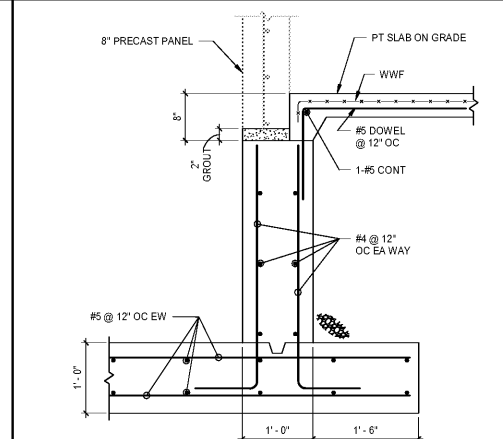
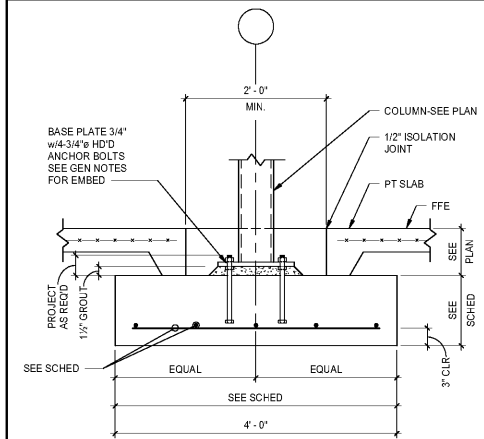
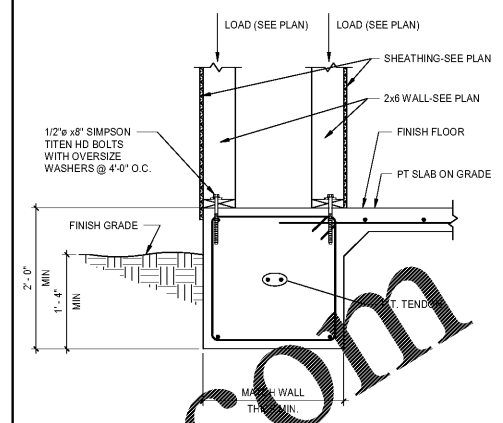
12 SCALE: 1" = 1'-0"

13 SCALE: 1" = 1'-0"

14 SCALE: 1" = 1'-0"

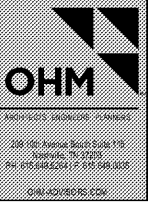
15 ELEVATOR PIT DETAILS SCALE: 1" = 1'-0"

16 SCALE: 1" = 1'-0"



Order Plans @ www.LDILine.com

1925 Prospect Ave.
Orlando, FL 32814
P (407) 661-9100
F (407) 661-9101
www.rp.com



CLIENT NAME
HUTTON DEVELOPMENT

PROJECT NAME
ROCKLEDGE FLATS - BUILDING "A"

PROJECT ADDRESS
220 Baron Boulevard
Rockledge, FL 32955

SHEET TITLE
SECTIONS AND DETAILS



Revision Schedule	
No.	Description

PROJECT NO. 0540150010	CHECKED
DATE 20/09/20	CHECKER
DRAWN 	

S202

GMP PRICING SET 15 NOVEMBER 2019