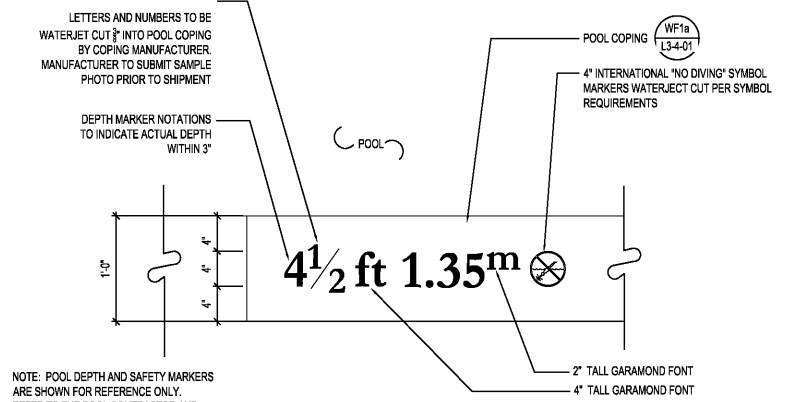
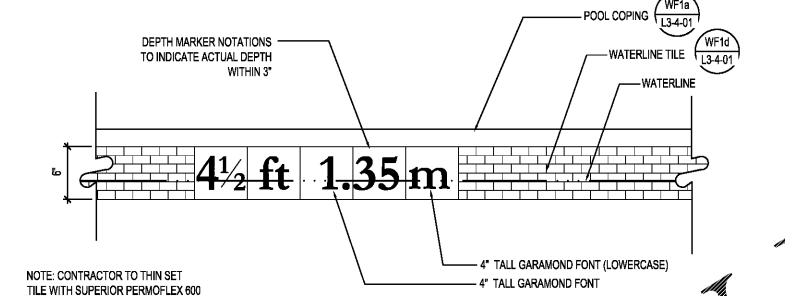


1 WF1 - POOL COPING EDGE SECTION SCALE: 1 1/2" = 1'-0"

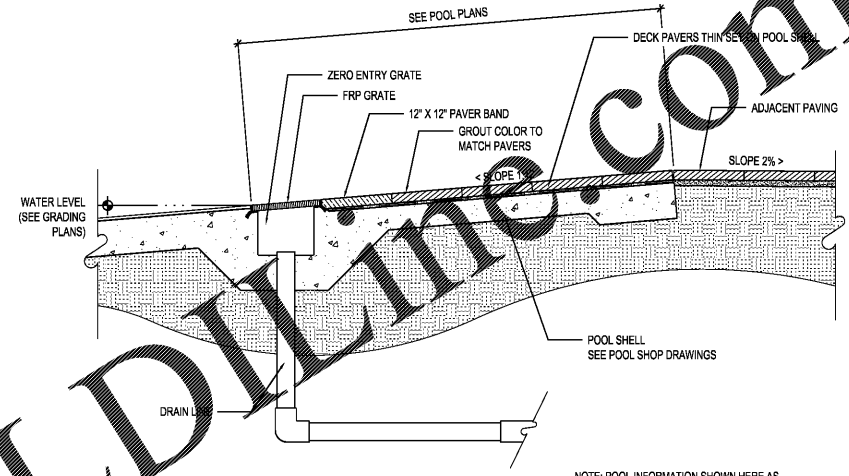


POOL COPING DEPTH MARKER - HORIZONTAL



POOL WATER LINE DEPTH MARKER - VERTICAL

2 POOL DEPTH MARKER - HORIZONTAL & VERTICAL DETAIL SCALE: 1 1/2" = 1'-0"



3 ZERO ENTRY SECTION SCALE: 1" = 1'-0"

Order Plans @ WWW.LDILLINE.COM

Project Name
ROCKLEDGE FLATS

Client
OHM ADVISORS

Consultants
edsa PLANNING LANDSCAPE ARCHITECTURE URBAN DESIGN
 800 N. ORANGE AVENUE, SUITE 300 ORLANDO, FLORIDA 32801 USA TEL: 407.425.3300 | L33-06-0001

OHM ADVISORS DESIGN ARCHITECT
 209 10TH AVENUE SOUTH, SUITE 116 NASHVILLE, TN 37203

CUHACI & PETERSON ARCHITECT IN RECORD
 1925 PROSPECT AVENUE ORLANDO, FL 32814

BRAND INTERIOR DESIGN INTERIOR DESIGNER
 NASHVILLE, TN 34747

BERRY ENGINEERS LLC CIVIL ENGINEER
 3555 KEITH STREET NW, SUITE 109 CLEVELAND, TN 37312

EMC STRUCTURAL ENGINEERS STRUCTURAL ENGINEER
 4525 TROUSDALE DRIVE NASHVILLE, TN 37204-4513

QDG ENGINEERING MEP AND FIRE PROTECTION
 6901 LENOX VILLAGE DRIVE, SUITE 108 NASHVILLE, TN 37211

PREVOST STAMPER IRRIGATION IRRIGATION CONSULTANT
 414 ARBOR CIRCLE CELEBRATION, FL 34747

Key Plan

Rev	Date	Issued for

Date	NOVEMBER 15, 2019
Designed By	JYP
Drawn By	JYP
Approved / Checked By	EML
Project Number	219086

Seal

Project Phase
GMP PRICING SET

Sheet Title
HARDSCAPE DETAILS

Sheet Number
L3-3-06