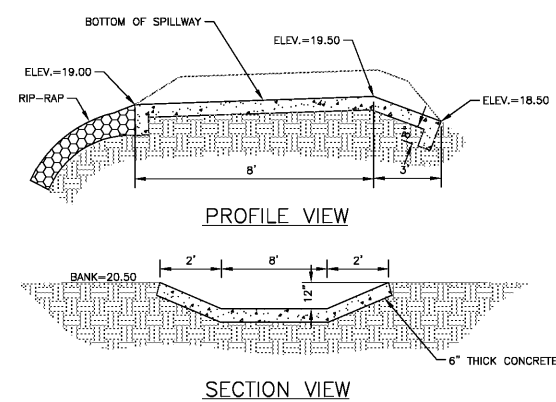


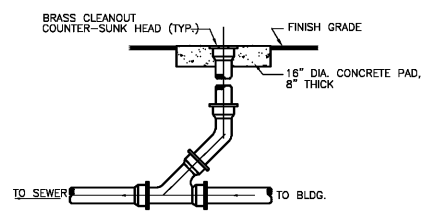
OUTLET CONTROL STRUCTURE #1

N.T.S.
(FDOT TYPE E)



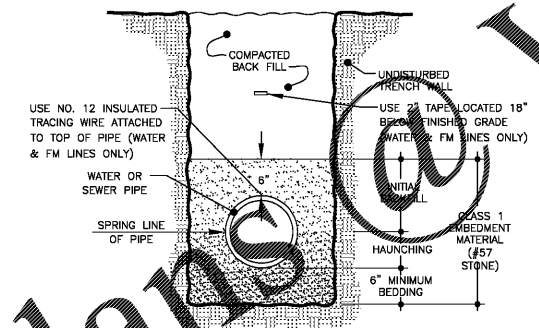
CONCRETE EMERGENCY SPILLWAY

N.T.S.

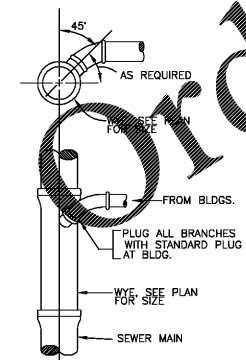


EXTERIOR CLEANOUT DETAIL

N.T.S.

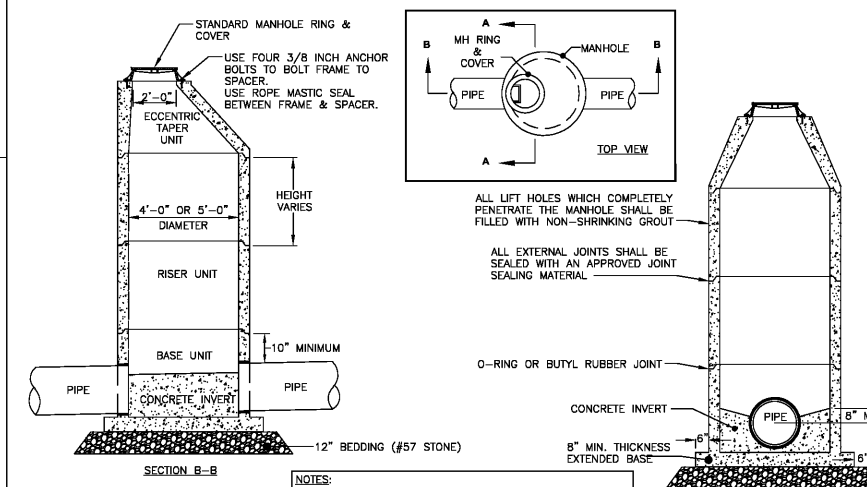


BEDDING FOR WATER & SEWER PIPE



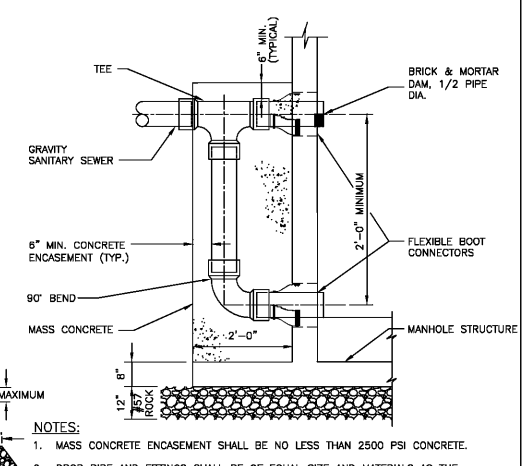
SANITARY SEWER LATERAL DETAIL

N.T.S.



STANDARD PRECAST MANHOLE DETAIL

N.T.S.



MANHOLE OUTSIDE DROP DETAIL

N.T.S.

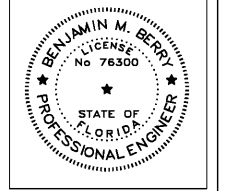
- NOTES:**
1. ALL MANHOLE CONNECTIONS SHALL BE PREFABRICATED OR CORED WITH A CONCRETE CORING MACHINE.
 2. ALL MANHOLES SHALL BE VACUUM TESTED.
 3. EXTENDED BASE REQUIRED FOR ALL MANHOLES.
 4. PROVIDE A MINIMUM 0.1 FOOT IN-OUT DROP.

- NOTES:**
1. MASS CONCRETE ENCASUREMENT SHALL BE NO LESS THAN 2500 PSI CONCRETE.
 2. DROP PIPE AND FITTINGS SHALL BE OF EQUAL SIZE AND MATERIALS AS THE INFLUENT SEWER.
 3. AN OUTSIDE DROP CONNECTION SHALL BE REQUIRED FOR ALL INFLUENT CONNECTIONS WHICH HAVE A DIFFERENCE OF 2'-0" OR MORE BETWEEN INVERTS.

BERRY ENGINEERS LLC
 CIVIL ENGINEER:
 355 KEITH ST NW, SUITE 109
 CLEVELAND, TN 37312
 TEL: (623) 790-5880
 CERTIFICATE OF AUTHORIZATION #3083

DEVELOPER:
 HUTTON ROCKLEDGE MF LLC
 736 CHERRY STREET
 CHATTANOOGA, TN 37402

PROJECT:
ROCKLEDGE FLATS
 190 BARTON BLVD
 ROCKLEDGE, FL



REVISIONS	
1	
2	
3	
4	
5	
6	
7	
8	
9	
10	

SHEET NAME:
 SITE DETAILS

DATE: 11/01/2019
DRAWN BY: JDS
CHECKED BY: BMB
PROJECT NO.: 19018
SHEET NUMBER:
C-08