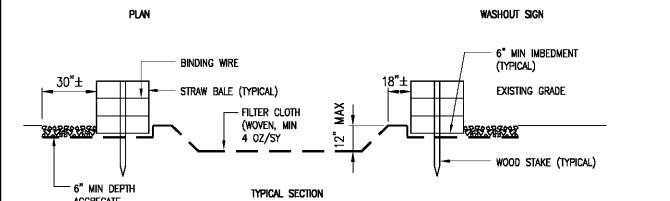
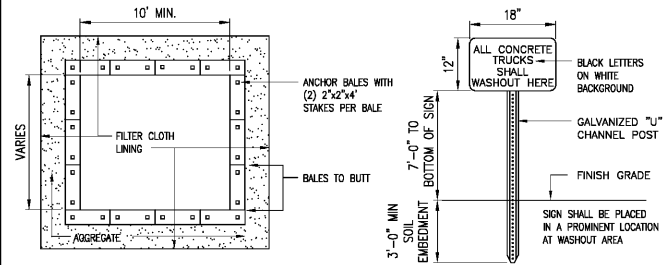
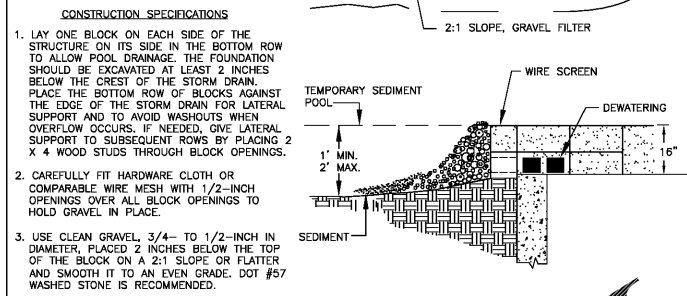


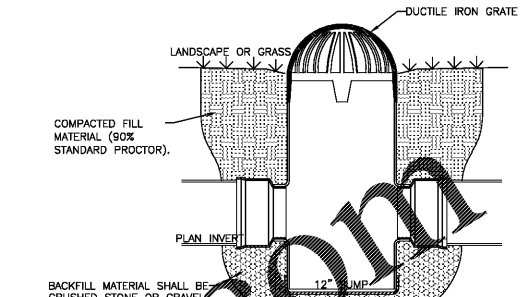
SILT FENCE DETAIL
N.T.S.



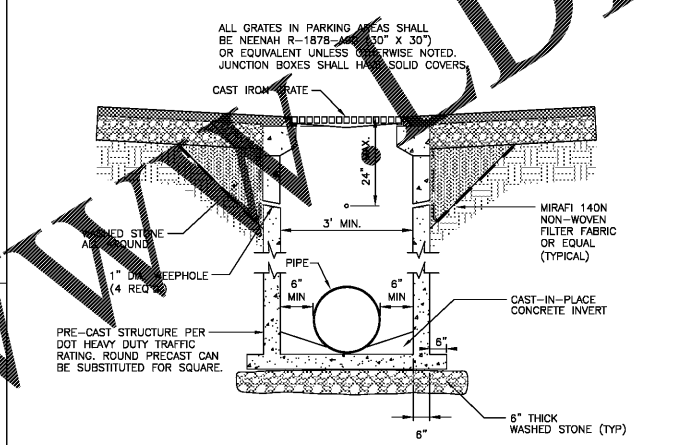
CONCRETE WASHOUT AREA DETAIL
N.T.S.



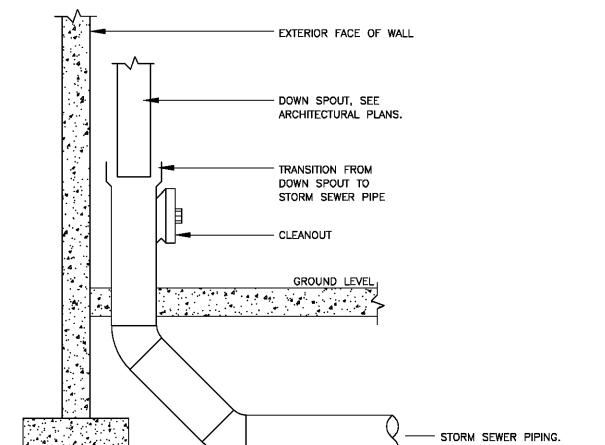
STORM DRAIN INLET PROTECTION
N.T.S.



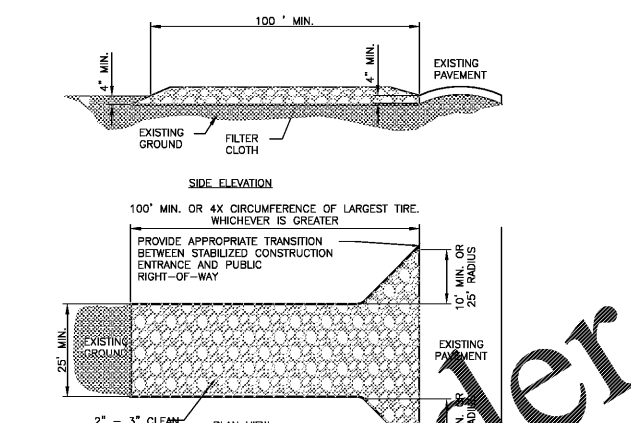
BUILDING DOWNSPOUT CONNECTION DETAIL
N.T.S.



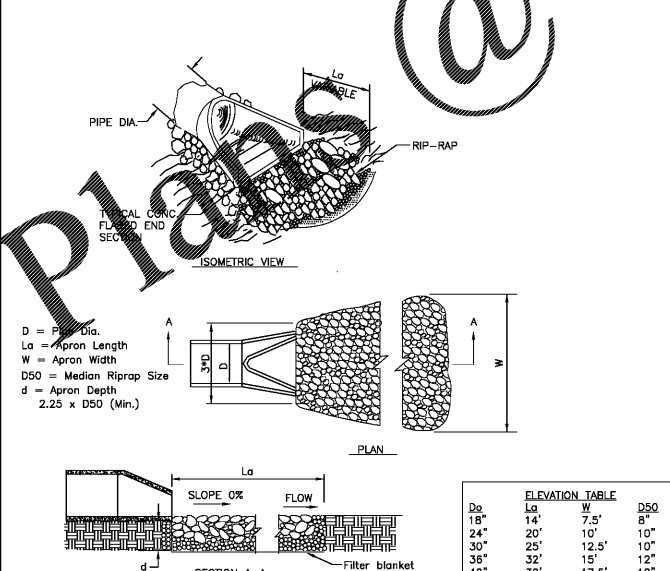
CATCH BASIN/JUNCTION BOX
N.T.S.



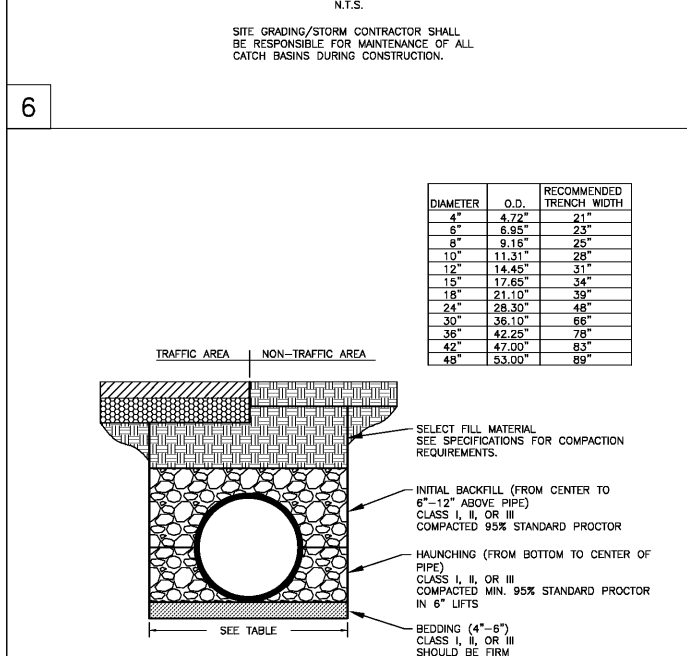
BUILDING DOWNSPOUT CONNECTION DETAIL
N.T.S.



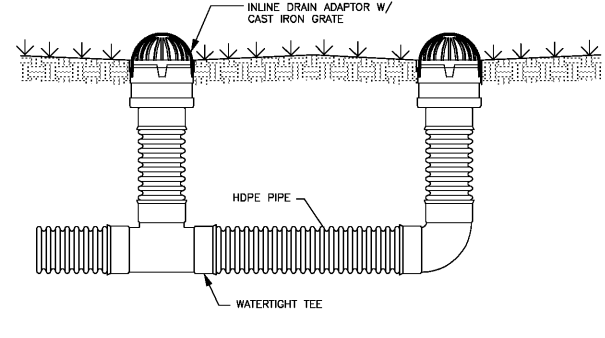
CONSTRUCTION EXIT DETAIL
N.T.S.



RIP RAP APRON - OUTLET CHANNEL
N.T.S.



HDPE PIPE TRENCHING & BACKFILL REQUIREMENTS
N.T.S.



IN-LINE DRAIN DETAILS
N.T.S.

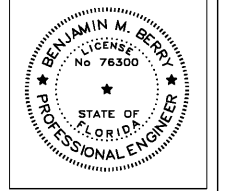
DIAMETER	O.D.	RECOMMENDED TRENCH WIDTH
4"	4.72"	21"
6"	6.95"	23"
8"	9.18"	25"
10"	11.31"	28"
12"	14.45"	31"
15"	17.65"	34"
18"	21.10"	39"
24"	28.30"	48"
30"	36.10"	66"
36"	42.25"	78"
42"	47.00"	83"
48"	53.00"	89"

D _o	L _a	W	D ₅₀
18"	14'	7.5'	8"
24"	20'	10'	10"
30"	25'	12.5'	10"
36"	32'	15'	12"
42"	32'	17.5'	12"
48"	37'	20'	15"

BERRY ENGINEERS LLC
3555 KEITH ST NW, SUITE 109
CLEVELAND, TN 37312
TEL: (623) 790-5880
CERTIFICATE OF AUTHORIZATION #B889

HUTTON ROCKLEDGE MF LLC
736 CHERRY STREET
CHATTANOOGA, TN 37402

ROCKLEDGE FLATS
190 BARTON BLVD
ROCKLEDGE, FL



REVISIONS

NO.	DATE	DESCRIPTION
1		
2		
3		
4		
5		
6		
7		
8		
9		
10		

SHEET NAME:
SITE DETAILS

DATE: 11/01/2019

DRAWN BY: JDS

CHECKED BY: BMB

PROJECT NO: 19018

SHEET NUMBER:
C-07