

PLUMBING LEGEND

—	SANITARY
—	VENT
—	COLD WATER
—	HOT WATER
—	GAS
—	HOT WATER RETURN
—	CONDENSATE
—	GREASE WASTE
—	P-TRAP
—	DRAIN W/O TRAP
—	INDIRECT WASTE
—	PIPE DOWN
—	PIPE UP
—	TEE DOWN
—	TEE UP
—	TEE TO THE SIDE

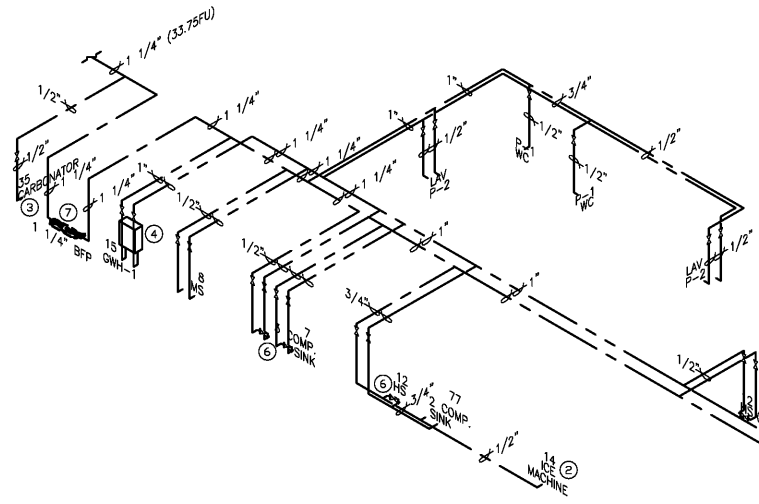
V	VENT UP
VTR	VENT THRU ROOF
FU	FIXTURE UNIT
WFU	WATER SUPPLY FIXTURE UNITS
CO	CLEAN OUT
FCO	FLOOR CLEAN OUT

BACKFLOW PREVENTER ASSEMBLY REQUIREMENTS			
TYPE OF EQUIPMENT ON SYSTEM	METHOD OF CROSS CONNECTION CONTROL	MANUFACTURE AND MODEL NUMBER	REMARKS
CARBONATOR SODA SYSTEM	REDUCED PRESSURE ZONE ASSEMBLY	WATTS SS009-30T ASSE 1013 CERT	STAINLESS STEEL BODY WITH QUARTER TURN VALVE SS STRAINER.
ICE MACHINE	REDUCED PRESSURE ZONE ASSEMBLY	WATTS LF-009-QT-S	STAINLESS STEEL BODY WITH QUARTER TURN VALVE BRONZE STRAINER.
TEA MACHINE	DOUBLE CHECK VALVE ASSEMBLY	WATTS 90-LF ASSE 1022/1024 CERT	STAINLESS STEEL BODY WITH QUARTER TURN VALVE BRONZE STRAINER.
WATER SERVICE	REDUCED PRESSURE ZONE ASSEMBLY	WATTS LF-919-QT	LEAD FREE CAST COPPER WITH QUARTER TURN.

1. CONTRACTOR SHALL PROVIDE INDIVIDUAL BACKFLOW PREVENTERS FOR EACH PIECE OF EQUIPMENT.
2. EACH BACKFLOW PREVENTER MUST HAVE TESTING PORTS.
3. BRONZE BACKFLOW PREVENTERS ARE PERMISSIBLE IF ALLOWED BY LOCAL CODES.

KEY NOTES

- NEW 1 1/4" COLD WATER PIPE TO BE TIED TO EXISTING 2" COLD WATER LINE. CONTRACTOR SHALL COORDINATE EXACT LOCATION AND CONNECTION POINT WITH EXISTING.
- BACKFLOW PREVENTER FOR ICE MAKER, TEA BREWER AND SODA SYSTEM WATER CONNECTION BASED ON WATTS. REFER TO BACKFLOW PREVENTER ASSEMBLY REQUIREMENTS TABLE FOR MODEL SPECIFICATIONS AND DETAILS.
- 1/2" COLD WATER LINE TO CARBONATOR, PROVIDE A BACKFLOW PREVENTER. THE PIPING MATERIAL, DOWNSIDE OF BACKFLOW DEVICE SHALL NOT BE EFFECTED BY CO2 GAS. PROVIDE 1/4" CONNECTION TO CARBONATOR.
- WATER HEATER FLUE VENT 3" CONCENTRIC PIPE TO ROOF MAX. LENGTH 41'.
- UNDER LAVATORY INTEGRAL TRAP PRIMER. REFER TO P2 FOR SANITARY CONNECTION AND MODEL SPECIFICATIONS. REFER TO P4 FOR DETAIL.
- THERMOSTATIC MIXING VALVE FOR HAND SINKS AND 3-COMPARTMENT SINK SUPPLIED AND INSTALLED BY PLUMBING CONTRACTOR.
- PROVIDE 1 1/2" LF919QT BACKFLOW PREVENTER AND PRV. ROUTE RELIEF PIPING TO DRAIN INDIRECTLY INTO MOP SINK. FOLLOW MANUFACTURERS PROCEDURES FOR INSTALLATION.



2 | WATER DISTRIBUTION ISOMETRIC DIAGRAM

WATER HEATER DISTRIBUTION:

- EQUIPMENT REQUIRING 140 F WATER:
- (1) 3-COMPARTMENT SINK
 - (1) MOP SINK BASIN
 - (1) HOSE BIBB UNDER 3-COMPARTMENT SINK.
- EQUIPMENT REQUIRING 110 F WATER:
- (1) 2-COMPARTMENT SINK
 - (3) HAND SINKS
 - (2) LAVATORY

NATURAL GAS TANKLESS WATER HEATER (BASED ON NORITZ)

MODEL	THERM. EFF.	GAS CONN.	GAS MAX.	GAS PRESS.	CW CONN.	CW FLOW	VOLTS	MCA	MOCP	WxDxH	WEIGHT	COMMENTS
NCC300-DV	97%	3/4"	300 MBTUH	0.5"-10.5"WC	1"	0.5-13.2 GPM	1/120/60	20A	20A	18.4"x14.2"x32.7"	110 LBS	SEE NOTES

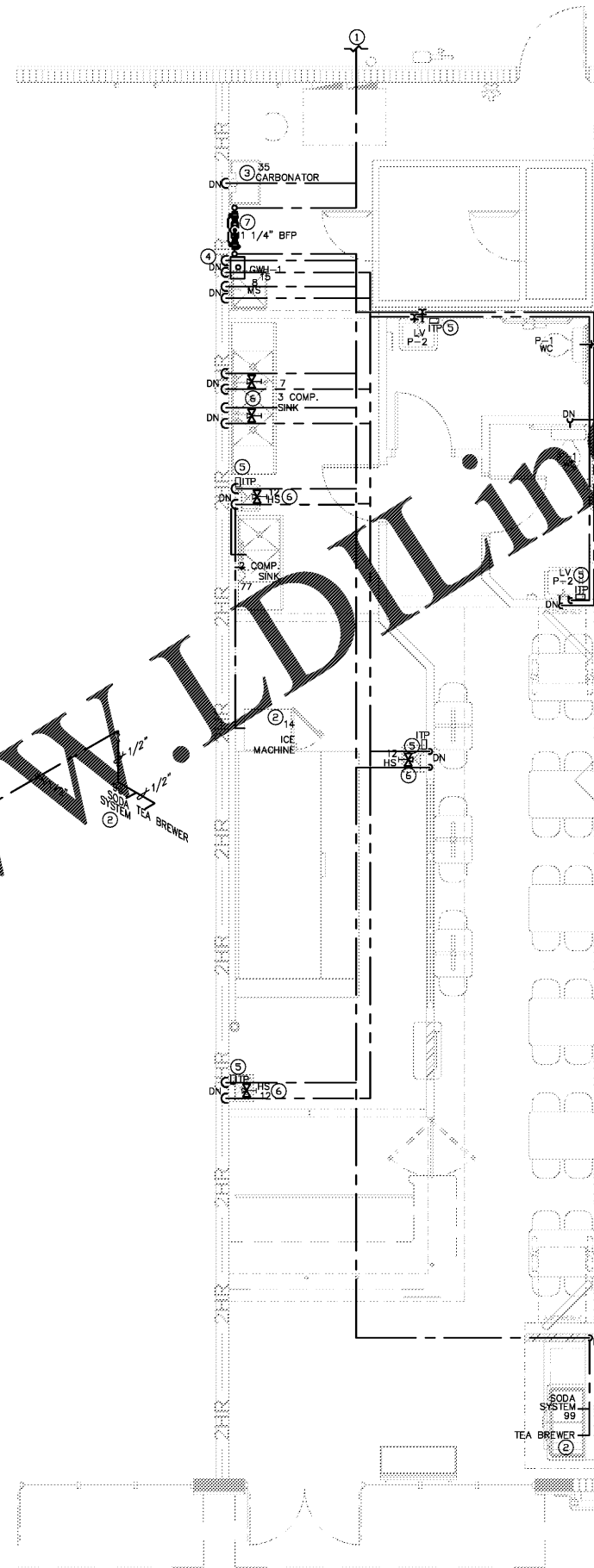
WATER HEATER NOTES:

- UNIT TO HAVE BUILT-IN RECIRCULATION PUMP AND CONTROLS; SEE IOM FOR EXACT PIPING CONFIGURATION.
- FOLLOW MANUFACTURER'S INSTALLATION INSTRUCTIONS AND RECOMMENDATIONS.
- UNIT TO BE EQUIPPED WITH MANUFACTURER'S HIGH LIMIT SENSOR/SWITCH TO SHUT DOWN SYSTEM IF WATER TEMPERATURE IS TOO HIGH.
- CONTRACTOR TO CONFIRM AND ADJUST THERMOSTAT SETPOINT.
- MAINTAIN MANUFACTURER'S RECOMMENDED CLEARANCES.
- SECURE ALL WARRANTIES, MANUALS, ETC. FOR EQUIPMENT AND SUBMIT TO OWNER.
- FOR GAS UNIT, CONTRACTOR TO INSTALL PRESSURE RELIEF VALVE AT THE HOT WATER OUTLET RATED FOR AT LEAST 200 KBTU/H AND SET TO NO MORE THAN 150 PSI.

PLUMBING FIXTURE SCHEDULE

SYMBOL	FIXTURE TYPE	BRAND/ MODEL	MOUNT	MOUNT HEIGHT	WASTE	VENT	COLD WATER	HOT WATER	NO. OF FIXTURES	NOTES
P-1	WATER CLOSET TANK TYPE HADICAP	AMERICAN STANDARD/ CADET 23T1J00	FLOOR	17 1/2" TO RIM	-	-	-	-	2	PROVIDE 1.28 GPF W.C.S PER CODE
P-2	LAVATORY, HCP 20" X 18"	AMERICAN STANDARD/ LUCERNE 0355012	WALL	34" TO LIP	2"	1 1/2"	1/2"	1/2"	2	LAVATORIES 1.5 G.P.M.
7	3 COMPART. SINK	G.C. TO VERIFY	WALL	-	-	1 1/2"	1/2"	1/2"	1	
8	1 COMPART. MOP SINK	FIAT / MSB-2424	FLOOR	-	4"	2"	1/2"	1/2"	1	
12	HAND SINK	G.C. TO VERIFY	WALL	-	2"	1 1/2"	1/2"	1/2"	3	
14	ICE MACHINE	G.C. TO VERIFY	FLOOR	-	2"	-	1/2"	-	1	
35	CARBONATOR	G.C. TO VERIFY	FLOOR	-	-	-	1/2"	-	1	
77	2 COMPART. SINK	G.C. TO VERIFY	WALL	-	2"	1 1/2"	1/2"	1/2"	1	
99	SODA SYSTEM	G.C. TO VERIFY	FLOOR	-	2"	-	1/2"	-	1	
FS	FLOOR SINK	JOSAM / 49340A	FLOOR	-	4"	2"	-	-	3	
C.O.	CLEAN OUT	JOSAM / 57000	FLOOR	-	4"	-	-	-	3	
FD	FLOOR DRAIN	SIoux CHIEF	FLOOR	-	4"	-	-	-	6	
TP	INTEGRAL TRAP PRIMER	SIoux CHIEF	UNDER LAV.	-	-	-	1/2"	-	5	ALL BRONZE TRAP W/ VACUUM BREAKER. CONTAINS NO SPRINGS, DIAPHRAGMS OR PLASTIC.

EQUALS BY ELJER, KOHLER, TOTO, AMERICAN STANDARD, AND HALSEY TAYLOR WILL BE ACCEPTED. SIOUX CHIEF DRAINS PRODUCTS OR EQUAL.



1 | WATER DISTRIBUTION FLOOR PLAN



SCALE: 1/4" = 1'-0"

THESE PLANS ARE FOR BUILDING DEPARTMENT REVIEW ONLY. THEY ARE NOT TO BE CONSTRUED AS CONSTRUCTION DOCUMENTS UNTIL ALL BUILDING DEPARTMENT APPROVALS ARE OBTAINED.

PROJECT #: 19022

RCI Engineering, Inc. C.A.#: 27662

BRIAN D. COLDWELL, PE - LIC #67527
OSCAR E. SEBLEN, PE - LIC #66481
5230 S UNIVERSITY DR, SUITE 106, DAVIE, FL 33328
P: 954.680.2690 F: 954.414.9393 www.rcieng.com

DATE: 03/15/19

THIS DOCUMENT, THE IDEAS AND DESIGNS INCORPORATED HEREIN, AS AN INSTRUMENT OF PROFESSIONAL SERVICE, IS THE PROPERTY OF WARNER ARCHITECTURAL ASSOCIATES AND IS NOT TO BE USED, IN WHOLE OR IN PART, FOR ANY OTHER PROJECT WITHOUT THE WRITTEN AUTHORIZATION OF WARNER ARCHITECTURAL ASSOCIATES, INC.

WARNER ARCHITECTURAL ASSOCIATES

109 ANDERSON STREET SE, SUITE 105
MARIETTA, GA 30060
PH: 678.290.9200
EMAIL: INFO@WARNERARCHASSOC.COM



10125 ULMERTON RD.
LARGO, FL 33771 (SUITE C)
STORE # V050

DRAWN BY: RCI
CHECKED BY: RCI
DATE: 03/15/2019
PROJECT: V050
REVISION:

WATER DISTRIBUTION FLOOR PLAN

DRAWING NUMBER

P1