

EXHAUST FAN INFORMATION - Job#3741775

FAN UNIT NO.	TAG	FAN UNIT MODEL #	CFM	ESP.	RPM	H.P.	B.H.P.	Ø	VOLT	FLA	DISCHARGE VELOCITY	WEIGHT (LBS.)	SONES
1		DUI80HFA	2700	1.200	1176	2.000	0.8730	3	208	6.1	624 FPM	161	14.8

MUA FAN INFORMATION - Job#3741775

FAN UNIT NO.	TAG	FAN UNIT MODEL #	BLOWER	HOUSING	MIN CFM	DESIGN CFM	ESP.	RPM	H.P.	B.H.P.	Ø	VOLT	FLA	WEIGHT (LBS.)	SONES
2		A1-15D	1SMF-1-MOD	A1	-	2160	0.500	1978	1.500	1.2530	3	208	4.4	254	27

FAN OPTIONS

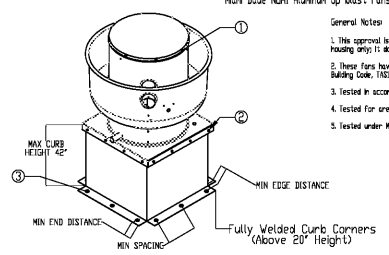
FAN UNIT NO.	TAG	OPTION (Qty. - Descr.)
1		1 - Grease Box 1 - Miami Dade Certification - NDA-1 Aluminum Upblast 1 - Fan Base Ceramic Seal - Installed At Plant - For Grease Ducts
2		1 - Miami Dade Certification - NDA-2 Supply

FAN ACCESSORIES

FAN UNIT NO.	TAG	EXHAUST				SUPPLY			
		GREASE CUP	GRAVITY DAMPER	WALL MOUNT	SIDE DISCHARGE	GRAVITY DAMPER	MOTORIZED DAMPER	WALL MOUNT	
1		YES							

CURB ASSEMBLIES

NO.	ON FAN	WEIGHT	ITEM	SIZE
1	# 1	53 LBS	Curb	26.500"W x 26.500"L x 26.000"H Vented Hinged 16 Gauge
2	# 2	48 LBS	Curb	21.000"W x 21.000"L x 20.000"H 16 Gauge



- General Notes:**
- This approval is for the structural capacity and impact rating of the exterior housing only. It does not include any interior mechanism or electrical part.
 - These fans have not been wind tested for Wind Driven Rain Test per Florida Building Code, 14030.00-55.
 - Tested in accordance to Florida Building Code test protocol 14020, 14022, 14023.
 - Tested for areas including high velocity hurricane zones.
 - Tested under Miami-Dade County Notification number A11-0832.

Installation Instructions:

- SCURE UP TO FAN USING 1/4" x 1" ZINC PLATED SELF-DRILLING STEEL SELF-DRILLING SCREWS WITH RUBBER WASHERS TO PREVENT CHIMNEY EFFECT AROUND LID.
- STURGE FAN BASE TO CURB USING 1/4" x 1" ZINC PLATED SELF-DRILLING SCREWS (A307 OR BETTER) THROUGH PRE-DRILLED HOLES IN THE FAN BASE. SEE TABLE BELOW FOR QTY.
- STURGE CURB TO ROOF OR WALL BY DRILLING 1/4" DIA PILOT HOLES IN THE CURB FLANGE AT LOCATIONS SHOWN IN THE DIAGRAM. SEE TABLE FOR FASTENER TYPE AND QTY.

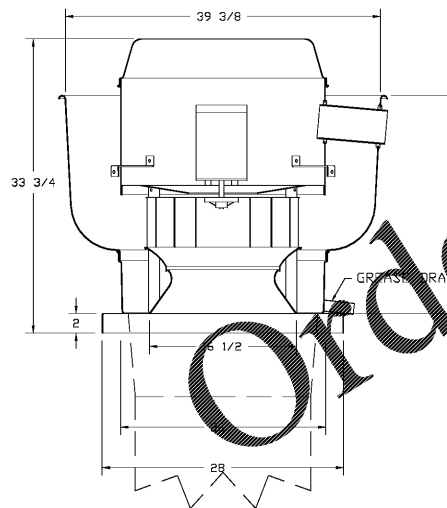
DESIGN PRESSURE: 1500 / 1500 PSF LARGE MISSILE IMPACT RESISTANT

Fastener	Fan To Curb		Wood (80 = 0.42 Min)		Steel (12 Gauge Min)		Concrete (2500 psi Min, Cracked Concrete)	
	1/4" x 1" Self-Drilling Screw (A307 OR BETTER)	3/8" Dia. Zinc Plated Lag Bolt	1/4" x 14 Dri-Flex Self-Drilling Screw	3/8" Dia. SS HBB Kwik Bolt 1/2 Expansion Anchor	1/4" x 14 Dri-Flex Self-Drilling Screw	3/8" Dia. SS HBB Kwik Bolt 1/2 Expansion Anchor	3/8" Dia. SS HBB Kwik Bolt 1/2 Expansion Anchor	3/8" Dia. SS HBB Kwik Bolt 1/2 Expansion Anchor
Minimum Thread Penetration	N/A	2-1/2"	12 Gauge	2"	12 Gauge	2"	2-5/16"	2-5/16"
Minimum Edge Distance	N/A	1-1/2"	3/8"	3"	1-1/2"	3/8"	3"	3"
Minimum End Distance	N/A	2-5/8"	3/8"	4"	2-5/8"	3/8"	4"	4"
Minimum Spacing	N/A	1-1/2"	3/4"	5-1/2"	1-1/2"	3/4"	5-1/2"	5-1/2"

INSTALLATION FASTENER QTY

Fan Model	Curb to Fan (Wood)		Curb to Fan (Steel)		Wood (Wood)		Steel (Steel)		Concrete (Wood)		Concrete (Steel)	
	Per Side	Total	Per Side	Total	Per Side	Total	Per Side	Total	Per Side	Total	Per Side	Total
DUI80	3	12	3	12	3	25	3	25	3	25	3	25

FAN #1 DUI80HFA - EXHAUST FAN



FEATURES:

- DIRECT DRIVE CONSTRUCTION (NO BELTS OR PULLEYS)
- ROOF MOUNTED FANS
- RESTAURANT MODEL
- UL705 AND UL765 AND UL904
- VARIABLE SPEED CONTROL
- INTERNAL WIRING
- WEAR RESISTANT DISCONNECT
- THERMAL OVERLOAD PROTECTION (ANGLE PHASE)
- HIGH TEMPERATURE OPERATION (315°C/600°F)
- GREASE CLASSIFICATION TESTING

NORMAL TEMPERATURE TEST:
EXHAUST FAN MUST OPERATE CONTINUOUSLY WHILE EXHAUSTING AIR AT 300°F (149°C) UNTIL ALL FAN PARTS HAVE REACHED THERMAL EQUILIBRIUM, AND WITHOUT ANY DEGRADING EFFECTS TO THE FAN WHICH WOULD CAUSE UNSAFE OPERATION.

ABNORMAL FLARE-UP TEST:
EXHAUST FAN MUST OPERATE CONTINUOUSLY WHILE EXHAUSTING BURNING GREASE VAPORS AT 600°F (315°C) FOR A PERIOD OF 15 MINUTES WITHOUT THE FAN BECOMING DAMAGED TO ANY EXTENT THAT COULD CAUSE AN UNSAFE CONDITION.

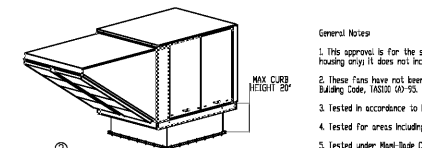
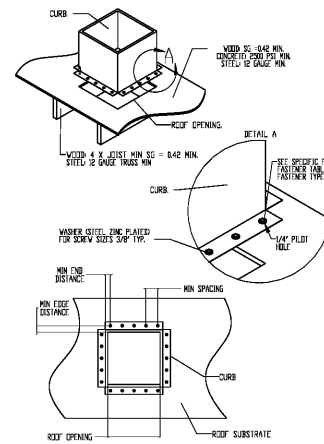
OPTIONS

- GREASE BOX
- MIAMI DADE CERTIFICATION - NDA-1 ALUMINUM UPBLAST
- FAN BASE CERAMIC SEAL - INSTALLED AT PLANT - FOR GREASE DUCTS.

REFER TO FAN MANUALS REGARDING PROPER STARTUP AND INSTALLATION

CAPTIVE-AIRE HOOD PACKAGE AS SHOWN IS OWNER PROVIDED

Miami-Dade County - Curb Roof Installation Guide



General Notes:

- This approval is for the structural capacity and impact rating of the exterior housing only. It does not include any interior mechanism or electrical part.
- These fans have not been wind tested for Wind Driven Rain Test per Florida Building Code, 14030.00-55.
- Tested in accordance to Florida Building Code test protocol 14020, 14022, 14023.
- Tested for areas including high velocity hurricane zones.
- Tested under Miami-Dade County Notification number A11-0834.

Installation Instructions:

- SCURE UP TO FAN USING 1/4" x 1" ZINC PLATED SELF-DRILLING SCREWS (A307 OR BETTER) THROUGH FAN BASE. SEE TABLE BELOW FOR QTY.
- STURGE CURB TO ROOF FRAMING MEMBERS BY DRILLING 1/4" DIA PILOT HOLES IN THE CURB FLANGE AT LOCATIONS SHOWN IN BOTTOM LEFT DIAGRAM. SEE TABLE BELOW FOR FASTENER TYPE AND QTY.

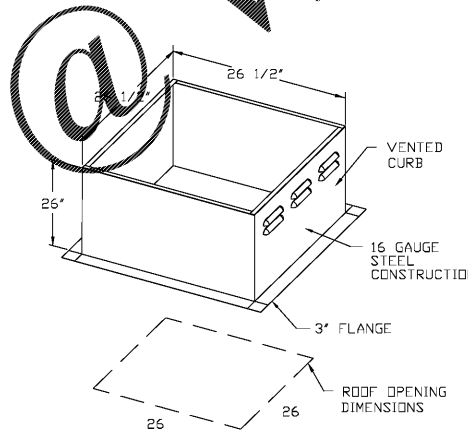
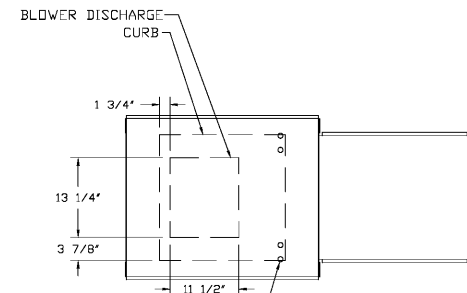
DESIGN PRESSURE: 1500 / 1500 PSF LARGE MISSILE IMPACT RESISTANT

Fastener	Fan To Curb		Wood (80 = 0.42 Min)		Steel (12 Gauge Min)		Concrete (2500 psi Min, Cracked Concrete)	
	1/4" x 1" Self-Drilling Screw (A307 OR BETTER)	3/8" Dia. Zinc Plated Lag Bolt	1/4" x 14 Dri-Flex Self-Drilling Screw	3/8" Dia. SS HBB Kwik Bolt 1/2 Expansion Anchor	1/4" x 14 Dri-Flex Self-Drilling Screw	3/8" Dia. SS HBB Kwik Bolt 1/2 Expansion Anchor	3/8" Dia. SS HBB Kwik Bolt 1/2 Expansion Anchor	3/8" Dia. SS HBB Kwik Bolt 1/2 Expansion Anchor
Minimum Thread Penetration	N/A	2-1/2"	12 Gauge	2"	12 Gauge	2"	2-5/16"	2-5/16"
Minimum Edge Distance	N/A	1-1/2"	3/8"	3"	1-1/2"	3/8"	3"	3"
Minimum End Distance	N/A	2-5/8"	3/8"	4"	2-5/8"	3/8"	4"	4"
Minimum Spacing	N/A	1-1/2"	3/4"	5-1/2"	1-1/2"	3/4"	5-1/2"	5-1/2"

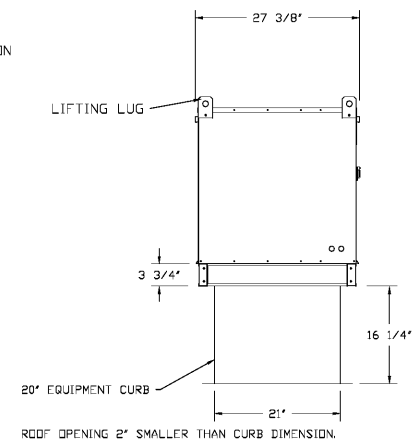
INSTALLATION FASTENER QTY

Fan Model	Curb to Fan (Wood)		Curb to Fan (Steel)		Wood (Wood)		Steel (Steel)		Concrete (Wood)		Concrete (Steel)	
	Per Side	Total	Per Side	Total	Per Side	Total	Per Side	Total	Per Side	Total	Per Side	Total
DUI80	3	12	3	12	3	25	3	25	3	25	3	25

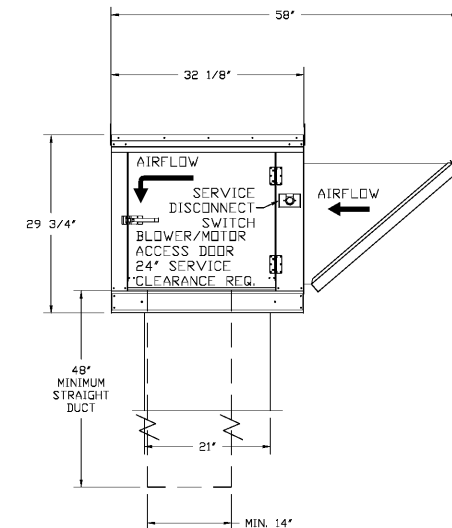
- FAN #2 A1-15D - SUPPLY FAN**
- UNTEMPERED SUPPLY UNIT WITH 15" DIRECT DRIVE FAN IN HOUSING #1 HOUSING
 - INTAKE HOOD WITH EZ FILTERS-LOW CFM
 - DOWN DISCHARGE - AIR FLOW RIGHT -> LEFT
 - MIAMI DADE IMPACT AND WIND LOAD CERTIFICATION #2011-1300-001 - MIAMI DADE COUNTY PRODUCT CONTROL APPROVED. FLORIDA BUILDING CODE APPROVAL. ROOF JOINT EXHAUST CURBS TO 20" HIGH MUST BE 16 GAUGE ALUMINIZED.
- NOTE:** SUPPLY DUCT MUST BE INSTALLED TO MEET SMACNA STANDARDS. A MINIMUM STRAIGHT DUCT LENGTH MUST BE MAINTAINED DOWNSTREAM OF UNIT DISCHARGE UNLESS OTHERWISE SPECIFIED. DO NOT RELY ON UNIT TO SUPPORT DUCT IN ANY WAY. FAILURE TO PROPERLY SUPPORT NETWORK MAY CAUSE SYSTEM EFFECTS AND REDUCE PERFORMANCE OF THE EQUIPMENT. SUGGESTED STRAIGHT DUCT LENGTH IS 14' x 14' x 14' MIN.



PITCHED CURBS ARE AVAILABLE FOR PITCHED ROOFS.
SPECIFY PITCH:
EXAMPLE: 7/12 PITCH = 30° SLOPE



PITCHED CURBS ARE AVAILABLE FOR PITCHED ROOFS.
SPECIFY PITCH:
EXAMPLE: 7/12 PITCH = 30° SLOPE



REVISIONS

DESCRIPTION	DATE

www.captiveaire.com

Dallas Office

1901 Royal Lane Suite 101, DALLAS, TX, 75229 PHONE: (214) 220-3969 FAX: (214) 220-0069 EMAIL: reg45@captiveaire.com

Wingstop Largo FL #V050
10125 Ulmerton Rd. Suite C,
LARGO, FL, 33771

DATE: 3/5/2019
DWG.#: 3741775
DRAWN BY: CJP-REG45
SCALE: 3/4" = 1'-0"
MASTER DRAWING

SHEET NO.
4