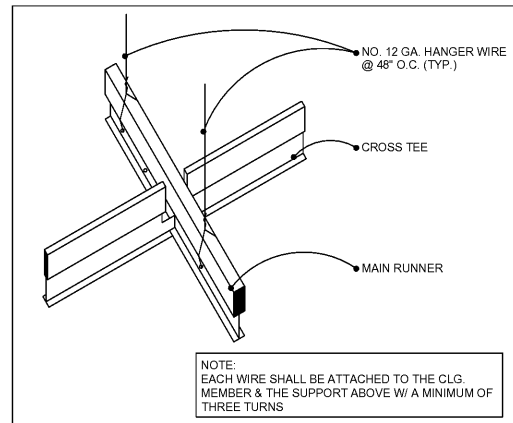


LIGHTING, DIFFUSERS, & GRILLE SCHEDULE

MK.	SYMBOL	SPECIFICATIONS	MOUNTING HEIGHT	NOTES
A	⌘	FIXTURE: 2'-0" TRACK W/ (2) FIXTURES (HEAD) SUPPLIER: MELETO ELECTRICAL SUPPLY	MOUNT TO BOTTOM OF SCHEDULED CLG. BOTTOM OF TRACK MOUNTED TO BOTTOM OF FRAMING AND 3'-0" FROM ADJACENT WALLS UNLESS NOTED OTHERWISE	SCHEDULE SHEET A4.0 SUSPEND FROM CLG. W/ 3/8" ALL-THREAD
B	⊙	FIXTURE: 16" ROUND PENDANT W/ 16'-0" CORD (BLACK) SUPPLIER: MELETO ELECTRICAL SUPPLY	MOUNT TO SCHEDULED CLG. AS FOLLOWS: ALL AREAS SUSPEND TO 8'-0" A.F.F. TO BOTTOM OF FIXTURE	N/A
C	⊙	FIXTURE: 2x4 TROFFER W/ ACRYLIC LENS SUPPLIER: MELETO ELECTRICAL SUPPLY	MOUNT TO SCHEDULED ACOUSTICAL CLG.	N/A
CA	⊙	FIXTURE: 2x4 TROFFER W/ ACRYLIC LENS SUPPLIER: MELETO ELECTRICAL SUPPLY	MOUNT TO SCHEDULED ACOUSTICAL CLG.	N/A
D	⊙	FIXTURE: 4" ROUND RECESSED CAN LIGHT SUPPLIER: MELETO ELECTRICAL SUPPLY	MOUNT TO SCHEDULED ACOUSTICAL CLG. NOTE: CLG. INSULATION MUST BE 3" AWAY ON ALL SIDES	N/A
DA	⊙	FIXTURE: 6" ROUND RECESSED CAN LIGHT SUPPLIER: MELETO ELECTRICAL SUPPLY	MOUNT TO SCHEDULED ACOUSTICAL CLG. NOTE: CLG. INSULATION MUST BE 3" AWAY ON ALL SIDES	N/A
G	---	FIXTURE: LED STRIKE LIGHT SUPPLIER: MELETO ELECTRICAL SUPPLY	MOUNT TO TOP SIDE OF SALES SOFFIT. SEE DETAIL 4/A6.0 AND 7/A6.0	N/A
F	---	FIXTURE: 6'-0" TRACK WITH AMP CURRENT LIMITER (4) WALL WASH TRACK HEADS (WHITE) SUPPLIER: MELETO ELECTRICAL SUPPLY	MOUNT TO SCHEDULED CLG.	CLG. INSULATION MUST BE 3" AWAY ON ALL SIDES
LCD	⊙	FIXTURE: WALL MOUNTED FLAT PANEL DISPLAY TV WALL MOUNTING BRACKET FOR FLAT SCREEN TV'S 32" TO 42" MODELS CONTRACTOR TO COORDINATE BRACKET WITH MANUFACTURER'S RECOMMENDATION AND OWNER SELECTION SUPPLIED BY OWNER	MOUNT TO SCHEDULED PARTITION WITH BOTTOM OF LCD PANEL AS INDICATED ON THE REFLECTED CLG. PLAN	N/A
S	⊙	8" CEILING RECESSED SPEAKER (4 REQUIRED) PROVIDED BY OWNER (N.I.C.) - WIRING BY OWNER PROVIDE MIN. 6" ADDITIONAL WIRE PER SPEAKER AT J.BOX - VERIFY LOCATION W/ OWNER	MOUNT IN TILE	PROVIDE IN FACTORY FINISHED FLAT BLACK

SUPPLIER NOTE:
MELETO ELECTRICAL SUPPLY: 10930 HARRY HINES, DALLAS, TEXAS 75220
CONTACT: JIM ELLIS (SALES MANAGER); PHONE 1.800.777.4993 EXT. 1143 OFFICE; 972.569.6943 DIRECT; 214.353.3425 FAX; JELLS@MELETO.COM



4 NOT USED
A2.0 SCALE: N.T.S.

NOTE: A HEAVY DUTY T-BAR GRID SYSTEM SHALL BE USED. THE SYSTEM SHALL BE INSTALLED IN ACCORDANCE WITH THE PROVISIONS OF ASTM C 635 AND ASTM C 636. SECTION 1613.1 CBC

HANGER ATTACHMENT DEVICES SHALL BE AN APPROVED TYPE. SUSPENSION WIRES SHALL NOT BE SMALLER THAN NO. 12 GAUGE SPACED @ 4'-0" O.C. ALONG EACH MAIN RUNNER. EACH WIRE SHALL BE ATTACHED TO THE CEILING MEMBER AND THE SUPPORT ABOVE WITH A MINIMUM OF THREE TURNS. CONNECTION DEVICES AT THE SUPPORTING CONSTRUCTION SHALL BE CAPABLE OF CARRYING NOT LESS THAN 100 POUNDS. WIRES SHALL NOT HANG MORE THAN 1 IN 6 OUT OF PLUMB UNLESS COUNTERSLOPING WIRES ARE PROVIDED. A TRAPEZE SHALL BE USED WHERE OBSTRUCTIONS PRECLUDE DIRECT SUSPENSION.

TERMINAL ENDS OF EACH CROSS RUNNER AND MAIN RUNNER SHALL BE INDEPENDENTLY SUPPORTED A MAXIMUM OF 8" FROM THE WALL OR CEILING DISCONTINUITY WITH NO. 12 GAUGE WIRE.

HORIZONTAL RESTRAINTS SHALL BE EFFECTED BY FOUR NO. 12 GAUGE WIRES SECURED TO THE MAIN RUNNER WITHIN 2" OF THE CROSS RUNNER INTERSECTION AND SPAYED 90 DEGREES FROM EACH OTHER AT AN ANGLE NOT TO EXCEED 45 DEGREES FROM THE PLANE OF THE CEILING. A STRUT FASTENED TO THE MAIN RUNNER SHALL BE EXTENDED UP AND FASTENED TO THE STRUCTURAL MEMBERS SUPPORTING THE ROOF OR FLOOR ABOVE. THE STRUT SHALL BE ADEQUATE TO RESIST THE VERTICAL COMPONENT INDUCED BY THE BRACING WIRES. THESE HORIZONTAL RESTRAINT POINTS SHALL BE PLACED 12'-0" ON CENTER IN BOTH DIRECTIONS WITH THE FIRST POINT WITHIN 6'-0" FROM EACH WALL. ATTACHMENT OF THE RESTRAINT WIRES SHALL BE ADEQUATE FOR THE LOAD IMPOSED.

LATERAL FORCE BRACING MEMBERS SHALL BE SPACED A MINIMUM OF 6" FROM ALL HORIZONTAL PIPING OR DUCTWORK THAT IS NOT PROVIDED WITH BRACING RESTRAINTS FOR HORIZONTAL FORCES. BRACING WIRES SHALL BE ATTACHED TO THE GRID AND TO THE STRUCTURE IN SUCH A MANNER THAT THEY CAN SUPPORT A DESIGN LOAD OF NOT LESS THAN 200 POUNDS OR THE ACTUAL DESIGN LOAD, WHICHEVER IS GREATER, WITH A SAFETY FACTOR OF 2.

PERIMETER MEMBERS SHALL BE CONSIDERED AS AESTHETIC CLOSURES WITH NO STRUCTURAL VALUE. ENDS OF MAIN RUNNERS AND CROSS RUNNERS SHALL BE TIED TOGETHER TO PREVENT SPREADING. MAIN RUNNERS AND CROSS RUNNERS MAY BE ATTACHED AT TWO ADJACENT WALLS WITH CLEARANCE BETWEEN THE WALL AND RUNNERS MAINTAINED AT THE OTHER TWO WALLS.

INTERMEDIATE AND HEAVY DUTY CEILING SYSTEMS SHALL BE USED FOR SUPPORT OF LIGHT FIXTURES. ALL LIGHTING FIXTURES SHALL BE POSITIVELY ATTACHED TO THE SUSPENDED CEILING SYSTEM. THE ATTACHMENT DEVICE SHALL HAVE A CAPACITY OF 100% OF THE LIGHTING FIXTURE WEIGHT ACTING IN ANY DIRECTION. WHEN INTERMEDIATE SYSTEMS ARE USED, NO. 12 GAUGE HANGER WIRES SHALL BE ATTACHED TO THE GRID MEMBERS WITHIN 3" OF EACH CORNER OF EACH FIXTURE. TANDEM FIXTURES MAY UTILIZE COMMON WIRES. WHEN HEAVY DUTY SYSTEMS ARE USED, SUPPLEMENTAL HANGERS ARE NOT REQUIRED IF A 48" MODULAR PATTERN IS FOLLOWED.

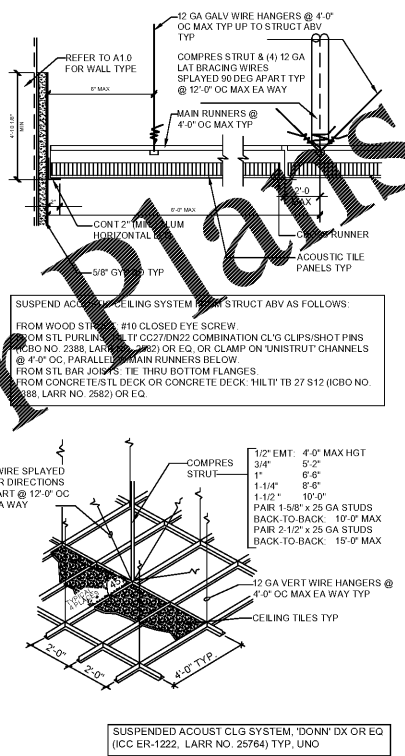
LIGHTING FIXTURES WEIGHING LESS THAN 50 POUNDS SHALL HAVE, IN ADDITION TO THE ABOVE REQUIREMENTS, TWO NO. 12 GAUGE HANGERS CONNECTED FROM THE FIXTURE HANGING TO THE STRUCTURE ABOVE. THESE WIRES MAY BE SLACK. LIGHTING FIXTURES WEIGHING 50 POUNDS OR MORE SHALL BE SUPPORTED DIRECTLY FROM THE STRUCTURE ABOVE. THE STRUT WIRE SHALL BE USING NO. 9 GAUGE WIRES OR APPROVED ALTERNATE SUPPORT METHOD USING THE CEILING SYSTEM FOR DIRECT SUPPORT.

CEILING MOUNTED AIR TERMINALS OR SERVICES WEIGHING LESS THAN 50 POUNDS SHALL BE POSITIVELY ATTACHED TO THE MAIN RUNNERS OR CROSS RUNNERS WITH THE SAME CARRYING CAPACITY AS MAIN RUNNERS. SERVICES WEIGHING MORE THAN 50 POUNDS SHALL HAVE, IN ADDITION TO THE ABOVE, TWO NO. 12 GAUGE WIRES CONNECTED FROM THE TERMINAL OR SERVICE TO THE STRUCTURE ABOVE. THESE WIRES SHALL BE SLACK. SERVICES WEIGHING MORE THAN 50 POUNDS SHALL BE SUPPORTED DIRECTLY FROM THE STRUCTURE ABOVE BY APPROVED HANGERS.

ALL PARTITIONS SHALL BE BRACED INDEPENDENTLY FROM THE CEILING SYSTEM. THE WIDTH OF THE PERIMETER SUPPORTING CLOSURE ANGLE SHALL NOT BE LESS THAN 2 INCHES IN EACH ORTHOGONAL IN ALL HORIZONTAL DIRECTIONS. ALTERNATIVELY, A SWING JOINT SHALL BE TO THE CLOSURE ANGLE. THE OTHER END IN EACH HORIZONTAL DIRECTION SHALL HAVE A 0.75 INCH CLEARANCE FROM THE WALL AND SHALL REST UPON, AND BE FREE TO SLIDE ON A CLOSURE ANGLE.

EXCEPT WHERE RIGID BRACES ARE USED TO LIMIT LATERAL DEFLECTIONS, SPRINKLER HEADS, OR OTHER PENETRATIONS SHALL HAVE A 2 INCH OVERSIZE RING, SLEEVE, OR ADAPTOR THROUGH THE CEILING TILE TO ALLOW FOR FREE MOVEMENT OF AT LEAST 1 INCH OF CEILING MOVEMENT IN ALL HORIZONTAL DIRECTIONS. ALTERNATIVELY, A SWING JOINT THAT CAN ACCOMMODATE 1 INCH OF CEILING MOVEMENT IN ALL HORIZONTAL DIRECTIONS IS PERMITTED TO BE PROVIDED AT THE TOP OF THE SPRINKLER HEAD EXTENSION.

EXCEPT WHERE RIGID BRACES ARE USED TO LIMIT LATERAL DEFLECTIONS, SPRINKLER HEADS, OR OTHER PENETRATIONS SHALL HAVE A 2 INCH OVERSIZE RING, SLEEVE, OR ADAPTOR THROUGH THE CEILING TILE TO ALLOW FOR FREE MOVEMENT OF AT LEAST 1 INCH OF CEILING MOVEMENT IN ALL HORIZONTAL DIRECTIONS. ALTERNATIVELY, A SWING JOINT THAT CAN ACCOMMODATE 1 INCH OF CEILING MOVEMENT IN ALL HORIZONTAL DIRECTIONS IS PERMITTED TO BE PROVIDED AT THE TOP OF THE SPRINKLER HEAD EXTENSION.



5 SUSPENDED CEILING DETAIL
A2.0 SCALE: N.T.S.

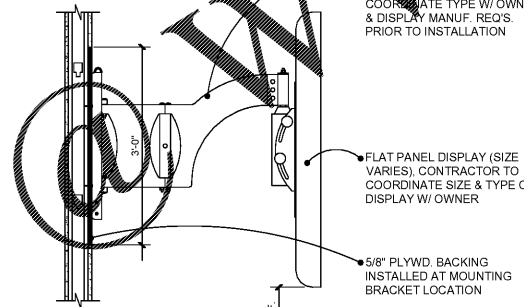
CEILING PLAN NOTES

- PROVIDE A MIN. OF 6" BATT INSULATION ABOVE ALL SCHEDULED CEILING SYSTEMS - DETERMINE DURING SITE VISIT - GC TO COORDINATE W/ OWNER - TYP.
- LIGHT FIXTURES SHALL BE PLACED AS DIMENSIONED AND SCHEDULED - ALL LIGHT FIXTURES SHOULD BE SCHEDULED WITH NO EXCEPTIONS
- REFER TO MECHANICAL DRAWINGS FOR RETURN AND DIFFUSER LOCATIONS - ALL RETURNS AND DIFFUSERS IN SALES, ORDER, AND SEATING AREAS TO BE FACTORY FINISHED IN FLAT BLACK
- VERIFY LOCATION AND QUANTITIES FOR EMERGENCY LIGHTING WITH ELECTRICAL DRAWINGS, LOCAL INSPECTION AGENCY, AND LOCAL FIRE MARSHALL - EXIT SIGNS SHALL BE CONNECTED TO AN EMERGENCY ELECTRICAL SYSTEM PROVIDED FROM STORAGE BATTERIES, UNIT EQUIPMENT OR AN ON-SITE GENERATOR - THE SYSTEM SHALL BE INSTALLED IN ACCORDANCE WITH THE ELECTRICAL CODE
- REFER TO DETAIL 5/A2.0 FOR SUSPENDED CEILING DETAIL
- REFER TO THE FINISH SCHEDULE ON SHEET A4.0 FOR CEILING FINISH INFORMATION

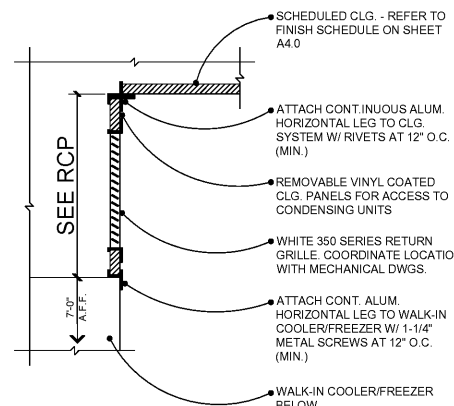
CEILING LEGEND

- INSTALL ALL WALL MOUNTED LCD/TV OUTLETS 7'-0" A.F.F. - REFER TO 2/A2.0 - TYP.
- TRACK LIGHTING (BLACK) MOUNTED TO BOTTOM OF THE CEILING TILE - TYP.
- PENDANT LIGHTING - REFER TO THE LIGHTING SCHEDULE FOR MOUNTING LOCATIONS - TYP.
- SPEAKER LOCATIONS - OWNER TO COORDINATE TYPE/LOCATION, SPACE EQUALLY IN SEATING
- MENU BOARD - MOUNT BOTTOM OF MENU BOARD AT 7'-0" A.F.F. - REFER TO A3.0 FOR ADD. INFO.
- CEILING GRID STARTING POINT
- DINE IN SIGN REFER TO A3.1 FOR ADD. INFO.
- ORDER AHEAD SIGN, ORIENTATE TO FRONT DOOR - REFER TO A3.1 FOR ADD. INFO.

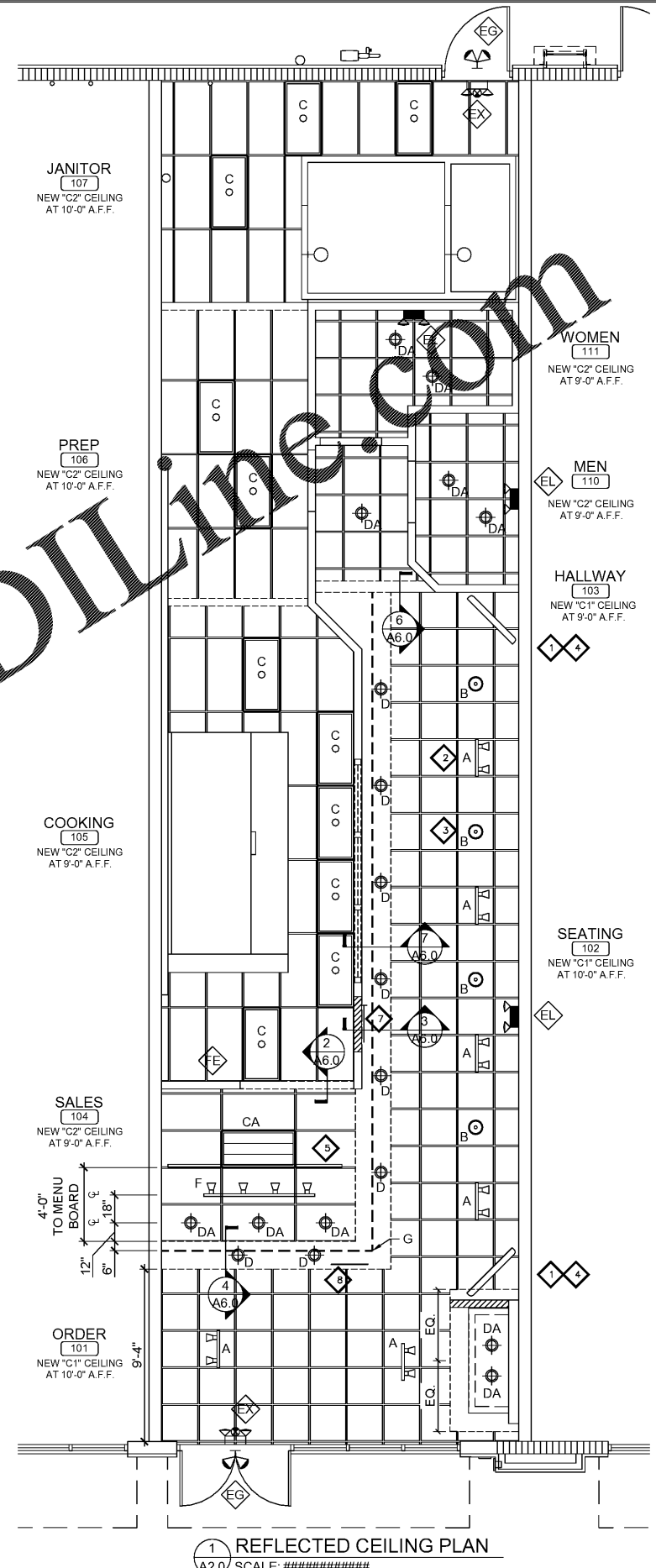
FLAT PANEL DISPLAY WALL MOUNTING BRACKET CONTRACTOR TO COORDINATE TYPE W/ OWNER & DISPLAY MANUF. REQ'S. PRIOR TO INSTALLATION



2 WALL-MOUNT BRACKET DETAIL
A2.0 SCALE: 3/4" = 1'-0"



3 VENT DETAIL @ COOLER
A2.0 SCALE: 1" = 1'-0"



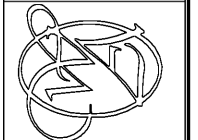
1 REFLECTED CEILING PLAN
A2.0 SCALE: #####

ALL DOCUMENTS ARE TO BE BUILT AND BID BASED ON THE MOST STRINGENT CODES. G.C. TO VERIFY THAT ALL CONSTRUCTION IS BUILT TO CODE AND THAT BIDS PROVIDED INCLUDE THE MOST RECENT CODE PER THE MUNICIPALITY. FAILURE TO DO SO WILL RESULT IN THE RELIEF OF LIABILITY OF THE OWNER, ARCHITECT, ENGINEER, AND DESIGNER. DRAWINGS ARE PROVIDED AS REFERENCE AND NOT ALL CONDITIONS ARE DETAILED. IF THERE ARE ANY DISCREPANCIES IN THE PLANS AND THE FIELD CONDITIONS THE CONTRACTOR MUST NOTIFY THE ARCHITECT OR ENGINEER OF RECORD. FAILURE TO DO SO WILL RESULT IN A DENIAL OF CHANGE ORDER REQUEST.

DATE:

THIS DOCUMENT, THE IDEAS AND DESIGNS INCORPORATED HEREIN, AS AN INSTRUMENT OF PROFESSIONAL SERVICE, IS THE PROPERTY OF WARNER ARCHITECTURAL ASSOCIATES AND IS NOT TO BE USED, IN WHOLE OR IN PART, FOR ANY OTHER PROJECT WITHOUT THE WRITTEN AUTHORIZATION OF WARNER ARCHITECTURAL ASSOCIATES, INC.

WARNER ARCHITECTURAL ASSOCIATES
109 ANDERSON STREET SE, SUITE 105
MARIETTA, GA 30060
PH: 678.290.9200
EMAIL: INFO@WARNERARCHASSOC.COM



WING-STOP
10125 ULMERTON RD.
LARGO, FL 33771
STORE # V050

DRAWN BY: RDL
CHECKED BY: WLW
DATE:
PROJECT: WS1813
REVISION:
REVISION:

REFLECTED CEILING PLAN
DRAWING NUMBER
A2.0

