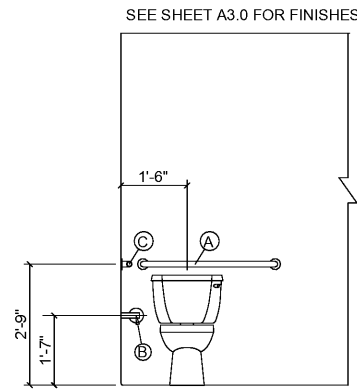
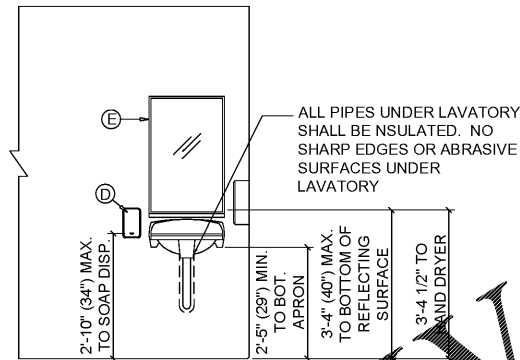


1 ENLARGED RESTROOM PLAN  
B2.0 SCALE: 1/2" = 1'-0"



2 TYPICAL WC ELEVATION  
B2.0 SCALE: 1/2" = 1'-0"



2 TYP. LAV ELEVATION  
B2.0 SCALE: 1/2" = 1'-0"

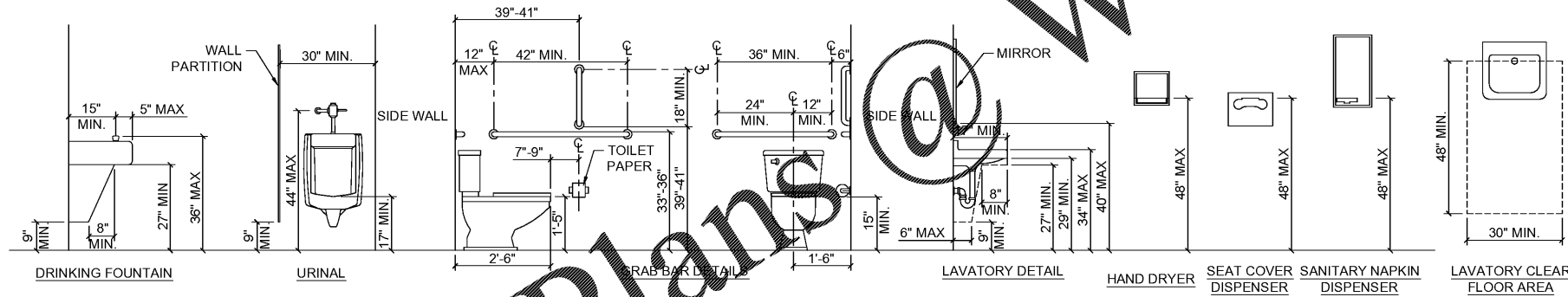
| ACCESSORY SCHEDULE |                         |  |
|--------------------|-------------------------|--|
| MARK               | ITEM / DESCRIPTION      | REMARKS                                      |
| A                  | GRAB BAR (42" LONG)     | MOUNT CENTER AT 33" - 36" AFF                |
| B                  | TOILET TISSUE DISPENSER | MOUNT CENTER AT 19" AFF                      |
| C                  | GRAB BAR (36" LONG)     | MOUNT CENTER AT 33" - 36" AFF - 6" FROM WALL |
| D                  | SOAP DISPENSER          | MOUNT CENTER AT 34" AFF                      |
| E                  | MIRROR                  | MOUNT BOTTOM AT 36" AFF                      |
| F                  | HAND DRYER              | MOUNT WITH OPENING AT 40" A.F.F.             |
|                    |                         |  |
|                    |                         |  |

NOTES:

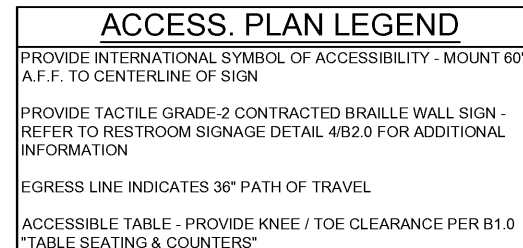
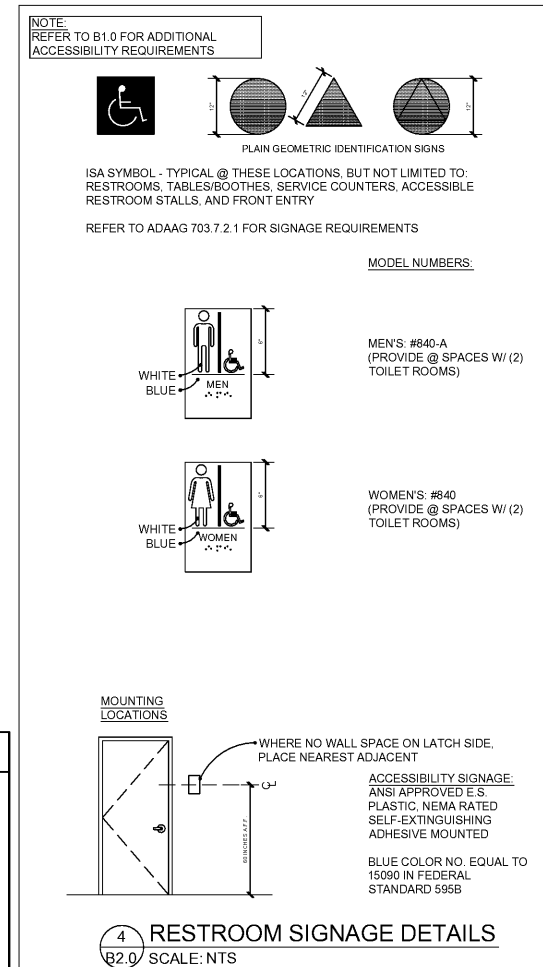
- ALL TOILET FIXTURE MOUNTING HEIGHTS SHALL COMPLY WITH ADA AND LOCAL HANDICAP CODES.
- PROVIDE 2 X BLOCKING AT ALL GRAB BAR LOCATIONS.
- HOT WATER AND DRAIN PIPES UNDER LAVATORIES SHALL BE INSULATED TO PROTECT AGAINST CONTACT. THERE SHALL BE NO SHARP OR ABRASIVE SURFACES UNDER LAVATORIES.
- DOOR HANDLES, PULLS, LATCHES, LOCKS AND OTHER OPERATING DEVICES ON DOORS SHALL NOT REQUIRE TIGHT GRASPING, TIGHT PINCHING OR TWISTING OF THE WRIST TO OPERATE.
- ALL GLAZED AREAS, INCLUDING GLASS MIRRORS, IN ANY HAZARDOUS LOCATIONS AS DEFINED IN SECTION 2406.3 SHALL COMPLY WITH THE REFERENCED CODE SECTION.
- ALL GLASS SHALL BE TEMPERED AS REQUIRED BY CODE.

ADA NOTES:

- POSITION ON LATCH SIDE OF DOOR OR NEAREST ADJACENT WALL AT 9" MIN DISTANCE FROM THE CENTER OF THE RAISED CHARACTERS ON THE SIGN.
- SIGNS WITH TACTILE CHARACTERS SHALL COMPLY W/ 703.4
- SIGNS CONTAINING TACTILE CHARACTERS SHALL BE LOCATED SO THAT A CLEAR FLOOR SPACE OF 18 INCHES MIN. CENTERED ON THE TACTILE CHARACTERS, IS PROVIDED BEYOND THE ARC OF ANY DOOR SWING BETWEEN THE CLOSED POSITION AND 45° OPEN POSITION



3 ADA FIXTURE HEIGHTS & CLEARANCES  
B2.0 SCALE: 1/2" = 1'-0"



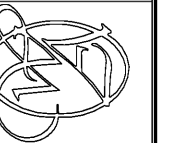
Order Plans @ WWW.LDWLine.com

DATE:

THIS DOCUMENT, THE IDEAS AND DESIGNS INCORPORATED HEREIN, AS AN INSTRUMENT OF PROFESSIONAL SERVICE, IS THE PROPERTY OF WARNER ARCHITECTURAL ASSOCIATES AND IS NOT TO BE USED, IN WHOLE OR IN PART, FOR ANY OTHER PROJECT WITHOUT THE WRITTEN AUTHORIZATION OF WARNER ARCHITECTURAL ASSOCIATES, INC.

WARNER ARCHITECTURAL ASSOCIATES

109 ANDERSON STREET SE, SUITE 105  
MARIETTA, GA 30060  
PH: 678.290.9200  
EMAIL: INFO@WARNERARCHASSOC.COM



WING-STOP

10125 ULMERTON RD.  
LARGO, FL 33771  
STORE # V050

DRAWN BY: RDL  
CHECKED BY: WLW  
DATE:  
PROJECT: WS1813  
REVISION:

ENLARGED RESTROOM PLAN

DRAWING NUMBER  
B2.0