

**CENTER PARK RESTROOM  
 FACILITIES AND SHADE  
 PAVILION**

City of Centerville

103 E CHURCH ST  
 CENTERVILLE, GA  
 31028

**REVISIONS**  
 # DATE DESCRIPTION

© 2019, WM2A Architects/Planners, Inc.  
 and WM2A Architects. These drawings, as  
 instruments of service, remain the property  
 of the Architect. Unauthorized use or  
 reproduction is forbidden.

Date: 11/04/19

Drawn By: SC, BF

Checked By: DJIS

Project Number: 2018-077

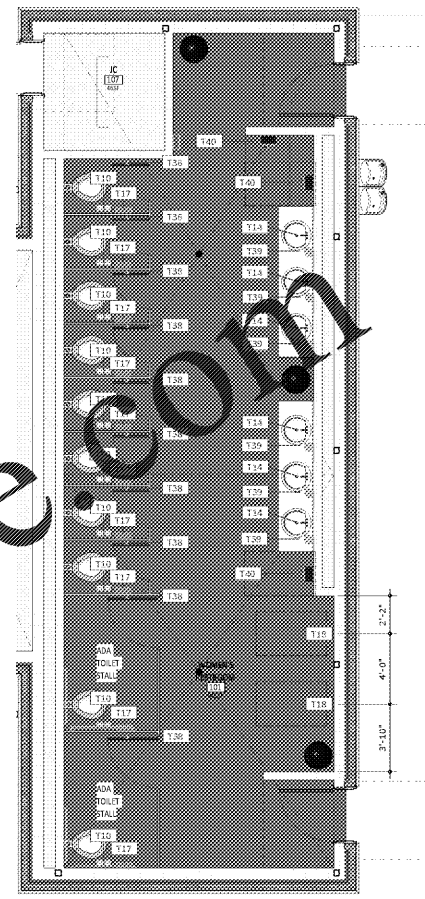
Drawing Name:

**INTERIOR ELEVATIONS**

Drawing Number:

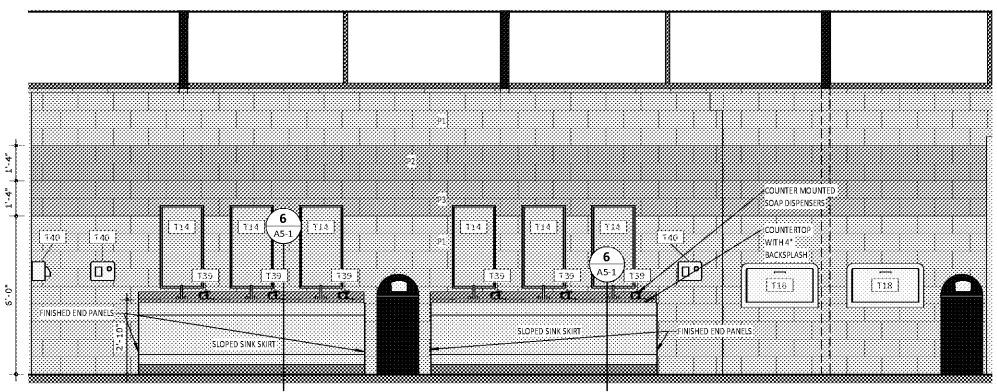
**A5-1**

CONSTRUCTION DOCUMENTS  
 11/6/2019 11:30:31 AM

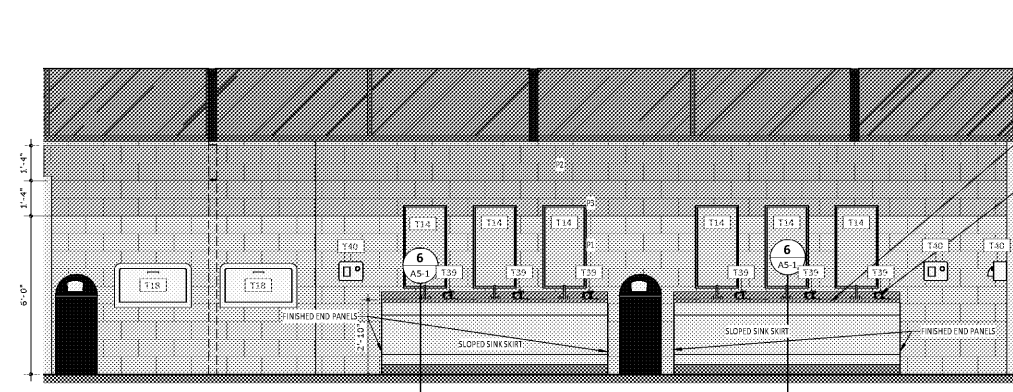


**8 TYPICAL RESTROOM BLDG. TOILET ACCESSORIES**  
 A5-1 1/4" = 1'-0"

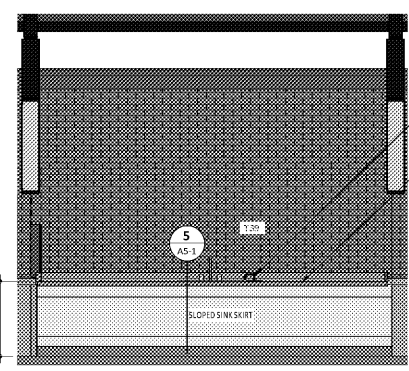
TOILET ACCESSORIES BY ROOM					
ROOM NO.	ROOM NAME	TYPE MARK	DESCRIPTION	COUNT	O.C./C.C./O.O.
		T10	Toilet Paper Dispenser	1	C.C.
		T39	COUNTER-MOUNTED SOAP DISPENSER	1	C.C.
101	WOMEN'S RESTROOM	T10	Toilet Paper Dispenser	10	C.C.
101	WOMEN'S RESTROOM	T14	18" x 36" Mirror	6	C.C.
101	WOMEN'S RESTROOM	T17	Surface Mounted Sanitary Napkin Disposal	11	C.C.
101	WOMEN'S RESTROOM	T18	BABY CHANGING STATION	2	C.C.
101	WOMEN'S RESTROOM	T38	STANDARD DOUBLE COAT HOOK	10	C.C.
101	WOMEN'S RESTROOM	T39	COUNTER-MOUNTED SOAP DISPENSER	6	C.C.
101	WOMEN'S RESTROOM	T40	ELECTRIC HAND DRYER	3	C.C.
103	MEN'S RESTROOM	T10	Toilet Paper Dispenser	5	C.C.
103	MEN'S RESTROOM	T14	18" x 36" Mirror	6	C.C.
103	MEN'S RESTROOM	T18	BABY CHANGING STATION	2	C.C.
103	MEN'S RESTROOM	T38	STANDARD DOUBLE COAT HOOK	6	C.C.
103	MEN'S RESTROOM	T39	COUNTER-MOUNTED SOAP DISPENSER	6	C.C.
103	MEN'S RESTROOM	T40	ELECTRIC HAND DRYER	3	C.C.
202	TL1	T11	18" Grab Bar (Vertical)	1	C.C.
202	TL1	T13	36" Grab Bar	1	C.C.
202	TL1	T14	42" Grab Bar	1	C.C.
202	TL1	T38	STANDARD DOUBLE COAT HOOK	1	C.C.
202	TL1	T39	COUNTER-MOUNTED SOAP DISPENSER	1	C.C.
202	TL1	T40	ELECTRIC HAND DRYER	1	C.C.
3	TL1	T11	18" Grab Bar (Vertical)	1	C.C.
3	TL1	T13	36" Grab Bar	1	C.C.
3	TL1	T14	42" Grab Bar	1	C.C.
3	TL1	T38	STANDARD DOUBLE COAT HOOK	1	C.C.
3	TL1	T39	COUNTER-MOUNTED SOAP DISPENSER	1	C.C.
3	TL1	T40	ELECTRIC HAND DRYER	1	C.C.



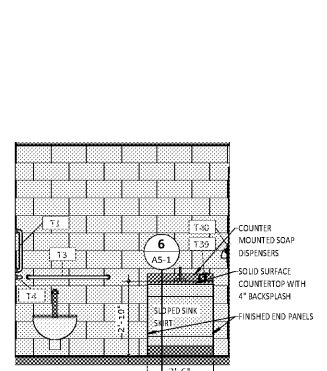
**1 101 WOMEN'S RESTROOM**  
 A5-1 3/8" = 1'-0"



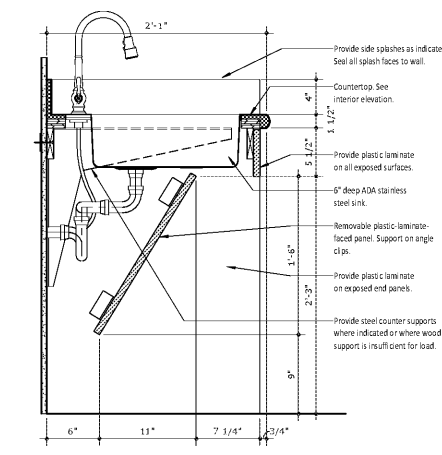
**2 102 MEN'S RESTROOM**  
 A5-1 3/8" = 1'-0"



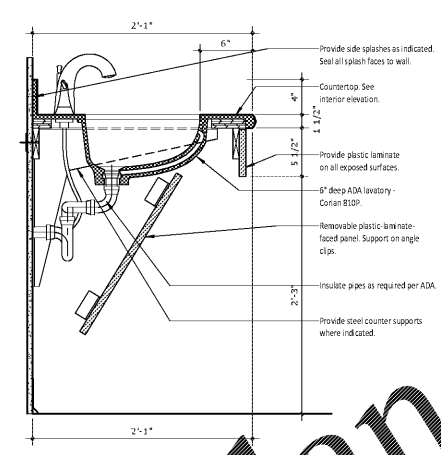
**3 200 PAVILION CASEWORK**  
 A5-1 3/8" = 1'-0"



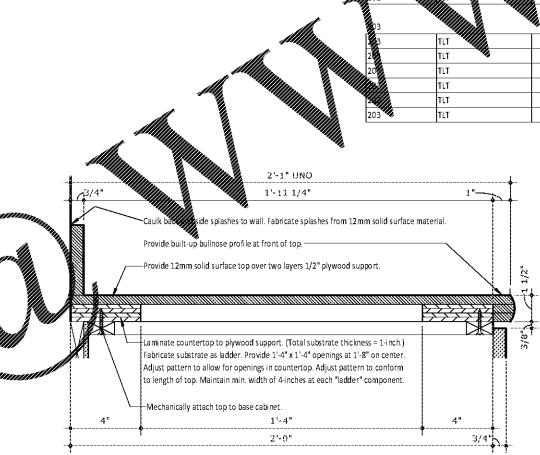
**4 202 - PAVILION TOILET**  
 A5-1 3/8" = 1'-0"



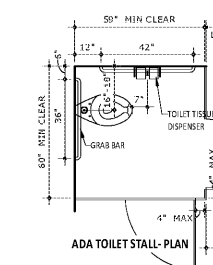
**5 34" ADA SINK BASE, FRONT APPROACH**  
 A5-1 1 1/2" = 1'-0"



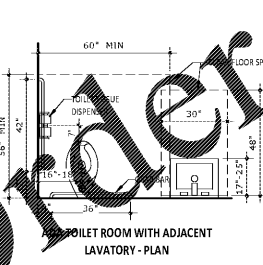
**6 34" ADA LAVATORY, FRONT APPROACH**  
 A5-1 1 1/2" = 1'-0"



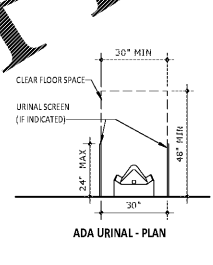
**7 Solid Surface Countertop**  
 A5-1 3" = 1'-0"



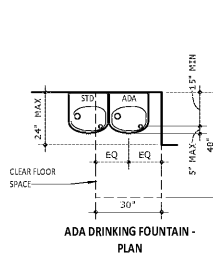
ADA TOILET STALL - PLAN



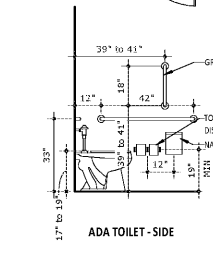
TOILET ROOM WITH ADJACENT LAVATORY - PLAN



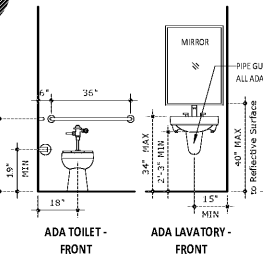
ADA URINAL - PLAN



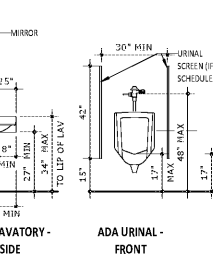
ADA DRINKING FOUNTAIN - PLAN



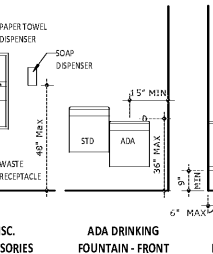
ADA TOILET - SIDE



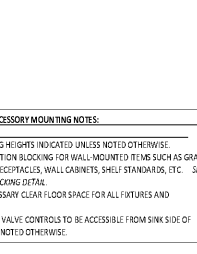
ADA TOILET - FRONT



ADA LAVATORY - FRONT



ADA URINAL - SIDE



ADA DRINKING FOUNTAIN - SIDE

- FIXTURE AND ACCESSORY MOUNTING NOTES:**
1. USE MOUNTING HEIGHTS INDICATED UNLESS NOTED OTHERWISE.
  2. PROVIDE PARTITION BLOCKING FOR WALL-MOUNTED ITEMS SUCH AS GRAB BARS, WASTE RECEPTACLES, WALL CABINETS, SHELL STANDARDS, ETC. SEE PARTITION BLOCKING DETAIL.
  3. PROVIDE NECESSARY CLEAR FLOOR SPACE FOR ALL FIXTURES AND ACCESSORIES.
  4. INSTALL FLUSH VALVE CONTROLS TO BE ACCESSIBLE FROM SINK SIDE OF ROOM UNLESS NOTED OTHERWISE.

**LEGEND - ADA ACCESSIBLE FIXTURES**  
 3/8" = 1'-0"