

**CENTER PARK RESTROOM
 FACILITIES AND SHADE
 PAVILION**

City of Centerville

103 E CHURCH ST
 CENTERVILLE, GA
 31028

REVISIONS		
#	DATE	DESCRIPTION

© 2019, WM Architects/Planners, Inc.
 All rights reserved. These drawings, as instruments of service, remain the property of the Architect. Unauthorized use or reproduction is forbidden.

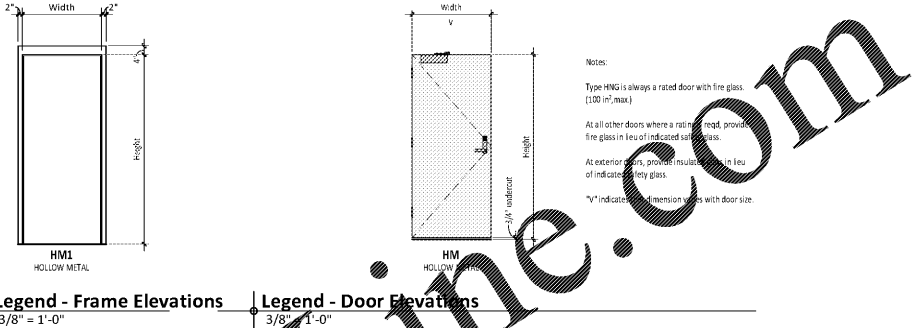
Date: 11/04/19
 Drawn By: BF
 Checked By: YKP
 Project Number: 2018-077
 Drawing Name:

**DOOR SCHEDULE,
 DETAILS, WINDOW
 SCHEDULE & DETAILS**

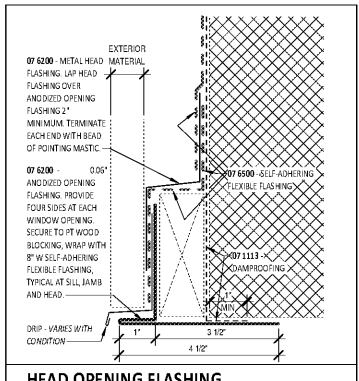
Drawing Number:

A2-3

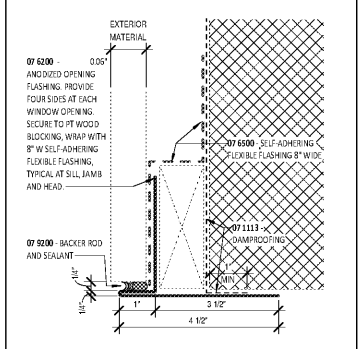
DOOR SCHEDULE WM2A											
OPNG NO	FROM ROOM	TO ROOM	FullWidth	Height	Door Type	Frame Type	HEAD	JAMB	HW SET	Notes/Opng	COMMENTS
101A	BREEZEWAY	WOMEN'S RESTROOM	3'-0"	7'-0"	HM	HM1	10/A2-3	11/A2-3	HW	NR	FIXED BLADE DOOR GRILLE. REF MECH
101B	BREEZEWAY	WOMEN'S RESTROOM	3'-0"	7'-0"	HM	HM1	10/A2-3	11/A2-3	HW	NR	FIXED BLADE DOOR GRILLE. REF MECH
102A	BREEZEWAY	MEN'S RESTROOM	3'-0"	7'-0"	HM	HM1	10/A2-3	11/A2-3	HW	NR	FIXED BLADE DOOR GRILLE. REF MECH
102B	BREEZEWAY	MEN'S RESTROOM	3'-0"	7'-0"	HM	HM1	10/A2-3	11/A2-3	HW	NR	FIXED BLADE DOOR GRILLE. REF MECH
104	MEN'S RESTROOM	JC	3'-0"	7'-0"	HM	HM1	8/A2-3	9/A2-3	HW	NR	FIXED BLADE DOOR GRILLE. REF MECH
105	STORAGE	PUMP RM	8'-0"	7'-0"	HM	HM1	10/A2-3	11/A2-3	HW	NR	FIXED BLADE DOOR GRILLE. REF MECH
106	STORAGE	JC	8'-0"	7'-0"	HM	HM1	10/A2-3	11/A2-3	HW	NR	FIXED BLADE DOOR GRILLE. REF MECH
107	JC	JC	3'-0"	7'-0"	HM	HM1	10/A2-3	11/A2-3	HW	NR	FIXED BLADE DOOR GRILLE. REF MECH
201	STORAGE	JC	8'-0"	7'-0"	HM	HM1	10/A2-3	11/A2-3	HW	NR	FIXED BLADE DOOR GRILLE. REF MECH
202	TLT	JC	3'-0"	7'-0"	HM	HM1	10/A2-3	11/A2-3	HW	NR	FIXED BLADE DOOR GRILLE. REF MECH
203	TLT	JC	3'-0"	7'-0"	HM	HM1	10/A2-3	11/A2-3	HW	NR	FIXED BLADE DOOR GRILLE. REF MECH



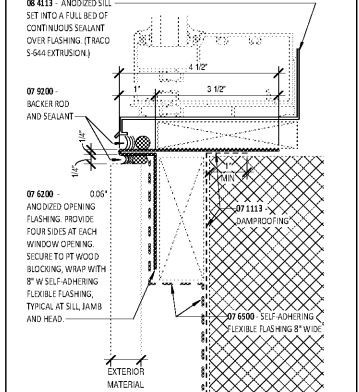
Legend - Frame Elevations Legend - Door Elevations



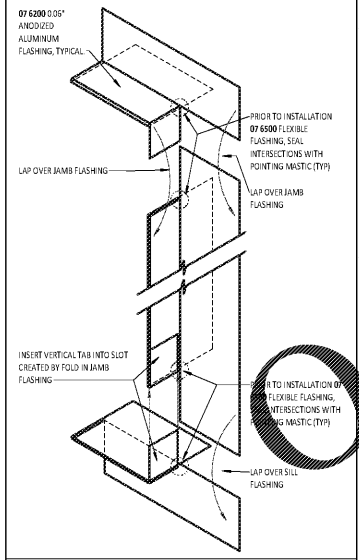
H1 | Head - MWP on Stud Framing



J1 | JAMB - Storefront at Brick / CMU



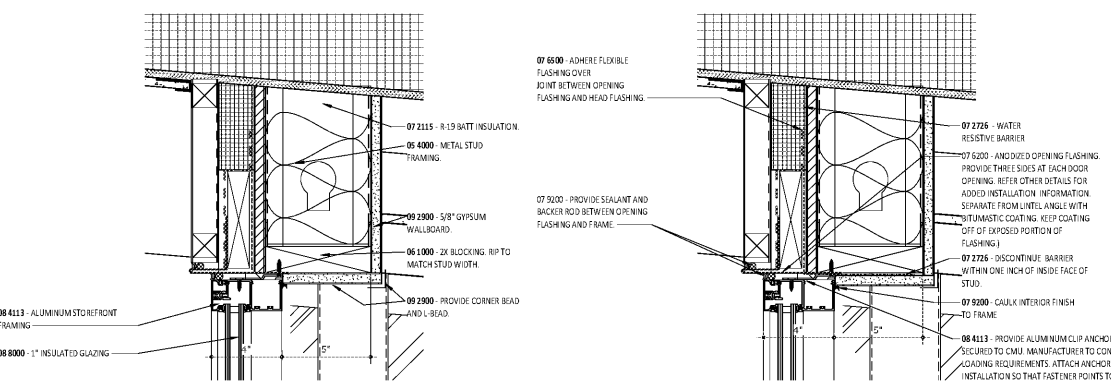
S1 | SILL @ SINGLE BLOCK/BRICK WALL



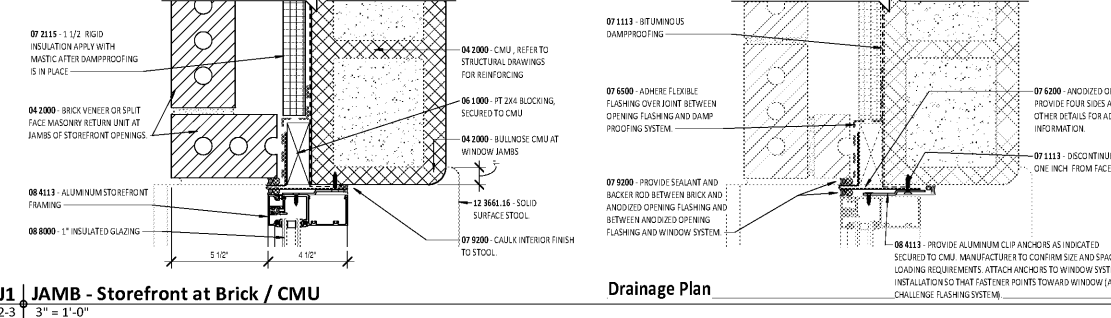
1 | W1

FLASHING GENERAL NOTES

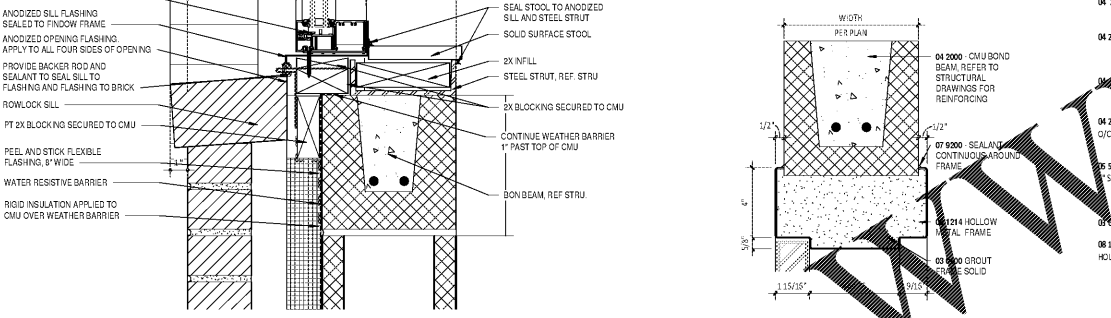
- PROVIDE 2" LAP DAMS AT ALL OPENINGS AND TERMINATIONS
- LAPS BETWEEN PIECES OF METAL FLASHING SHOULD BE FULLY BODDED IN SEALANT
- REMOVE TOP HEM FROM TOP PIECE OF FLASHING @ LAPS



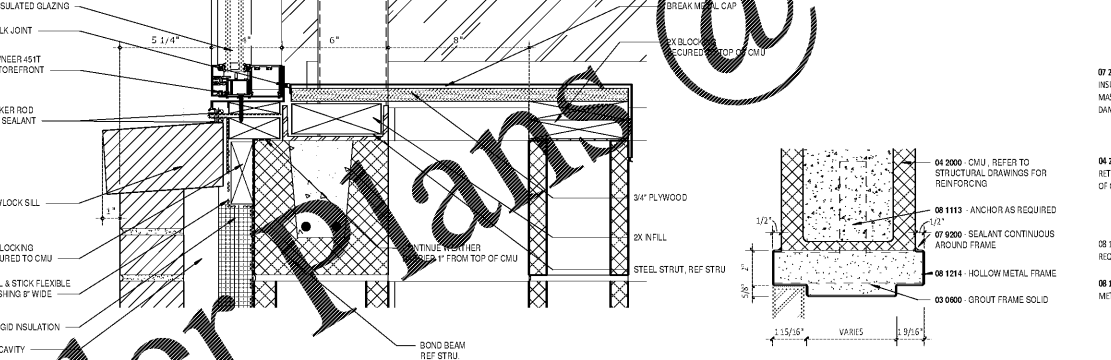
2 | W2



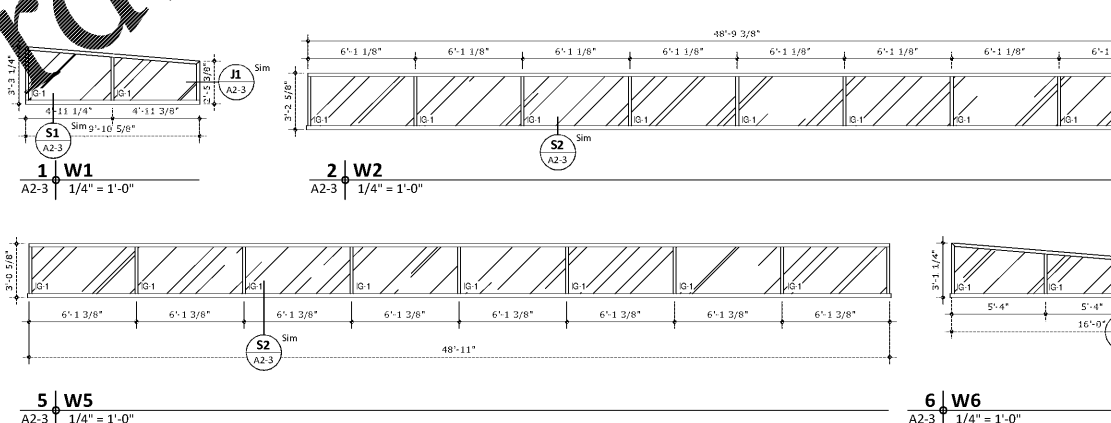
3 | W3



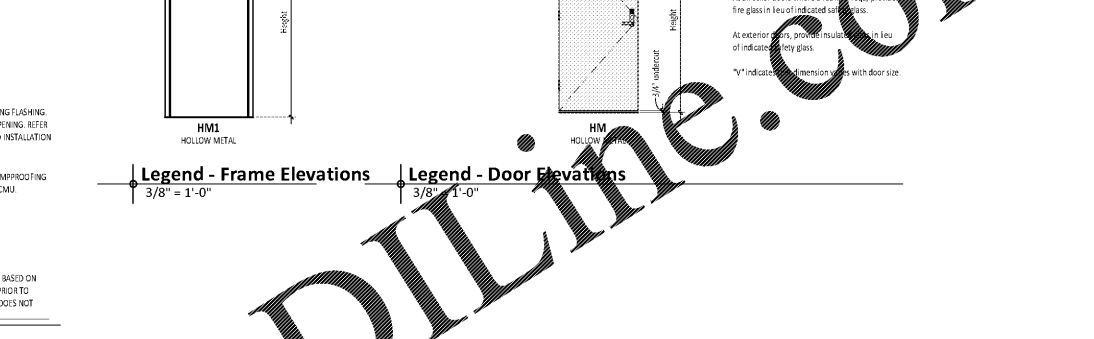
4 | W4



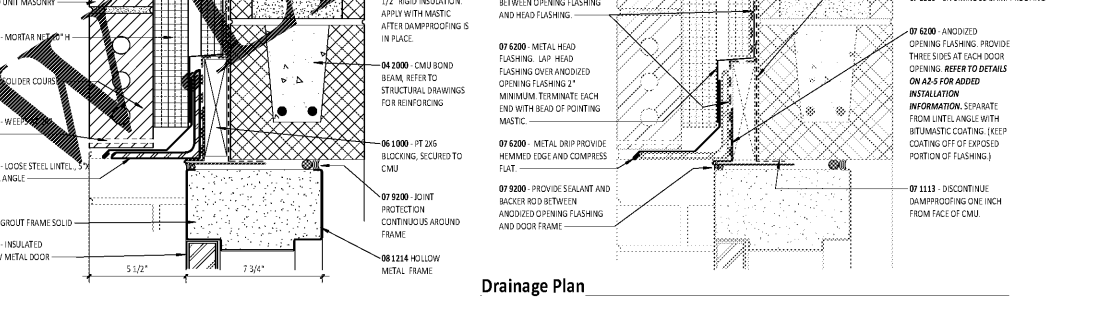
5 | W5



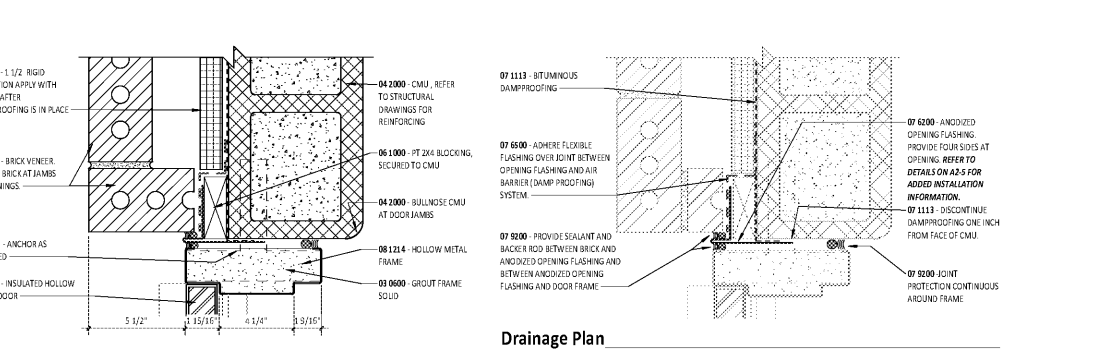
6 | W6



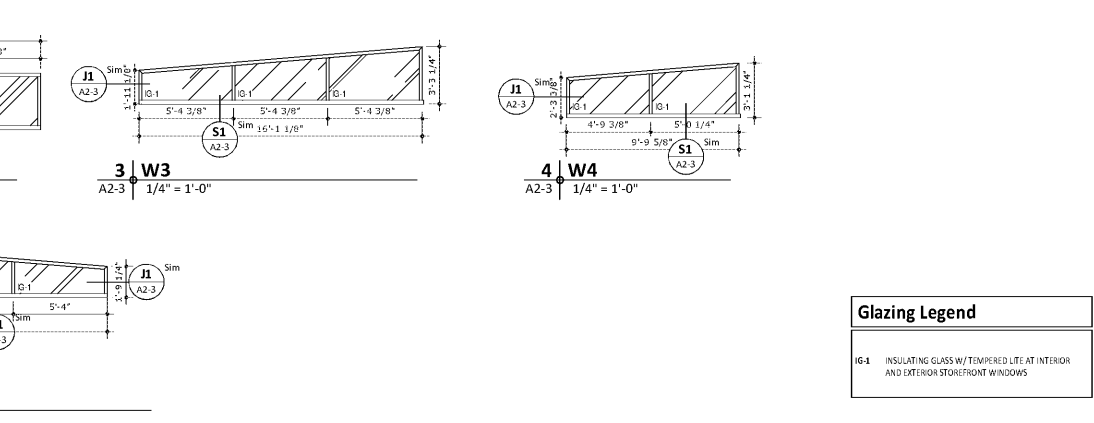
8 | HEAD - HM at CMU Interior-2



9 | JAMB - HM at CMU Interior-2



10 | HEAD - HM Frame at Brick / CMU



11 | JAMB - HM Frame at Brick / CMU

Glazing Legend

IG-1	INSULATING GLASS W/ TEMPERED LITE AT INTERIOR AND EXTERIOR STOREFRONT WINDOWS
------	---

Order Plans

WWW.DIline.com