

CENTER PARK RESTROOM FACILITIES AND SHADE PAVILLION

CENTER PARK

CITY OF CENTERVILLE
103 E CHURCH ST.
CENTERVILLE, GA 31028

11/04/2019 - CONSTRUCTION DOCUMENTS

WM 2A
ARCHITECTS
WM2A.COM
348 COTTON AVENUE
SUITE 500, P O BOX 110
MACON, GEORGIA 31202



CENTER PARK RESTROOM
FACILITIES AND SHADE
PAVILLION

City of Centerville
103 E CHURCH ST
CENTERVILLE, GA
31028

REVISIONS
DATE DESCRIPTION

Date: 11/04/19

Drawn By: BF, SC

Checked By: DIS

Project Number: 2018-077

Drawing Name:

Project Number: 2018-077

Drawing Name:

Project Number: 2018-077

Drawing Name:

Project Number: 2018-077

Drawing Name:

Project Number: 2018-077

ABBREVIATIONS		ABBREVIATIONS		ABBREVIATIONS		ABBREVIATIONS	
ABBREV	TERM	ABBREV	TERM	ABBREV	TERM	ABBREV	TERM
A	AND	EA	EACH	LB	POUNDS	SD	STORM DRAIN
AB	ANCHOR BOLT	EB	EXPANSION BOLT	LGMS	LIGHT GAUGE METAL STUD	SECT	SECTION
AV	AUDIO/VISUAL	EJ	EXPANSION JOINT	LLH	LONG LEG HORIZONTAL	SF	SQUARE FEET, SQUARE FOOT
AB	ANCHOR BOLT	EL	ELEVATION	LLV	LONG LEG VERTICAL	SH	SHOWER
AC	AIR CONDITIONING	ELEC	ELECTRICAL	LT	LIGHT	SHR	SHOWER
ACC	ACCESSIBLE	ELEV	ELEVATOR	LVT	LUXURY VINYL TILE	SHI	SHEET
ACOUT	ACOUSTICAL	EMER	EMERGENCY	M	MASONRY	SHL	SHOWER
ACT	ACOUSTIC CEILING TILE	ENCL	ENCLOSURE	MAX	MAXIMUM	SHM	SHEET METAL SURFACE MOUNTED
AD	AREA DRAIN	ENGR	ENGINEER	MB	MODIFIED BITUMEN (ROOFING)	SP	STANDARD
ADJ	ADJACENT, ADJUSTABLE	EPM	ELECTRICAL PANEL	MECH	MECHANICAL	SPC	SPECIFICATION, SPECIFIED
AF	ABOVE FINISHED FLOOR	EPF	EPOXY FLOOR FINISH (EPOXY FLOOR PAINT)	MEMB	MEMBRANE	SPK	SPEAKER
AFG	ABOVE FINISHED GRADE	EQ	EQUAL	MFR	MANUFACTURER	SQ	SQUARE
AGGR	AGGREGATE	EQIP	EQUIPMENT	MIR	MIRROR	SS	STAINLESS STEEL
ALT	ALTERNATE	EXH	EXHAUST	MW	MANHOLE	SSK	SERVICE SINK
ALUM	ALUMINUM	EXT	EXISTING	MW	MANHOLE	STA	STATION
ANOD	ANODIZED	EXP	EXPANSION	MIS	MISCELLANEOUS	STR	STRUCTURE
APC	ACOUSTICAL PANEL CEILING	EXT	EXTERIOR	MISC	MISCELLANEOUS	STR	STRUCTURE
APPROX	APPROXIMATE	F	FIRE	MO	MASONRY OPENING	STL	STEEL
ARCH	ARCHITECTURAL	FA	FIRE ALARM	MR	MOISTURE RESISTANT	STOR	STORAGE
ASPH	ASPHALT	FB	FACE BRICK	MTD	MOUNTED	STRG	STRINGER
ATTN	ATTENTION	FD	FLOOR DRAIN, FIRE DEPARTMENT	MTG	MOUNTING	STRUCT	STRUCTURE, STRUCTURAL
AUTO	AUTOMATIC	FD	FIRE DEPARTMENT CONNECTION	MTL	METAL	SURCAT	SUBCAT GORY
B	BUILDING	FE	FIRE EXTINGUISHER	MULL	MULLION	SUSP	SUSPENDED
BD	BOARD	FEC	FIRE EXTINGUISHER CABINET	N	NORTH	SYM	SYMMETRICAL
BG	BUMPER GUARD	FFB	FRESH FLOOR BOX	N/A	NOT APPLICABLE	SYS	SYSTEM
BT	BTU/HR	FFE	FINISH FLOOR ELEVATION	NC	NOISE CRITERIA	T	TREAD
BL	BED LOCATOR, BUILDING LINE	FM	FLAT HEAD	NC	NOT IN CONTRACT	T&B	TOP AND BOTTOM
BLOG	BUILDING	FHC	FIRE HOSE CABINET	NO	NUMBER	T&G	TONGUE AND GROOVE
BK	BLOCK	FIN	FINISH	NDM	NOMINAL	TB	TOWEL BAR
BKNG	BLOCKING	FIX	FIXTURE	NTS	NOT TO SCALE	TEL	TELEPHONE, TELECOM
BSMT	BASEMENT	FLSK	FLASHING	O	OWNER FURNISHED, CONTRACTOR INSTALLED	TELE	TELEPHONE
BUR	BUILT-UP ROOFING	FLR	FLOOR	O.C.	OWNER FURNISHED, CONTRACTOR INSTALLED	TEMP	TEMPERATURE, TEMPORARY
C	CHANNEL	FLU	FLUORESCENT	O.D.	OWNER FURNISHED, OWNER INSTALLED	TEMP	TEMPORARY
CC	CONTRACTOR FURNISHED, CONTRACTOR INSTALLED	FND	FOUNDATION	O/C	ON CENTER	THK	THICKNESS
CAB	CABINET	FO	FACE OF	OA	OUTSIDE AIR	THRU	THROUGH
CAT	CATEGORY	FP	FIRE PROTECTION	OD	OUTSIDE DIAMETER, OVERFLOW DRAIN	TKBD	TACK BOARD
CATV	CABLE TELEVISION	FR	FIRE RESISTANT	OD	OVERFLOW DRAIN	TLT	TOILET
CB	CATCH BASIN, CEMENT BOARD	FR	FIRE RESISTANT	OFF	OFFICE	TMPO	TEMPERED
CBU	CEMENTitious BACKER UNIT	FR	FIRE RESISTANT	OP	OVERHEAD	TOP	TOP OF
CC	CENTER TO CENTER	FR	FIRE RESISTANT	OPN	OPENING	TOB	TOP OF BEAM
CCTV	CLOSED-CIRCUIT TELEVISION	FR	FIRE RESISTANT	OPP	OPPOSITE	TOC	TOP OF CONCRETE
CEM	CEMENT	FR	FIRE RESISTANT	ORD	OVERFLOW ROOF DRAIN	TOS	TOP OF STEEL
CE	CERAMIC	FR	FIRE RESISTANT	P	PAINT	TV	TELEVISION
CG	CORNER GUARD	FR	FIRE RESISTANT	PAV	PAVING	TV	TYPICAL
CH	CHILLER	FR	FIRE RESISTANT	PB	PARTICULATE BOARD	U	UNFINISHED
CI	CAST IRON	FR	FIRE RESISTANT	PC	PRECAST	UNO	UNLESS NOTED OTHERWISE
CI	CAST-IN-PLACE	FR	FIRE RESISTANT	PF	POWER DRIVEN FASTENER	UNL	UNLESS OTHERWISE NOTED
CL	CENTRAL LINE	FR	FIRE RESISTANT	PFMB	PRE-ENGINEERED METAL BUILDING	V	VARIABLE
CLG	CEILING	FR	FIRE RESISTANT	PERF	PERFORATED	VAR	VARIES
CLR	CLEAR	FR	FIRE RESISTANT	PERM	PERMETER	VCT	VINYL COMPOSITION TILE
CMU	CONCRETE MASONRY UNIT	FR	FIRE RESISTANT	PERP	PERPENDICULAR	VERT	VERTICAL
CNR	CENTER, COUNTER	FR	FIRE RESISTANT	PL	PLATE	VEST	VESTIBULE
CO	CASED OPENING, CLEANOUT	FR	FIRE RESISTANT	PLAM	PLASTIC LAMINATE	VIF	VENT IN FIELD
COL	COLUMN	FR	FIRE RESISTANT	PLAS	PLASTER	VIP	VENT IN PITCH
CONC	CONCRETE	FR	FIRE RESISTANT	PLG	PLASTER	VP	VENT ON PARAPET
COND	CONDITION	FR	FIRE RESISTANT	PLW	PLYWOOD	VWC	VENT WITH CURB
CONN	CONNECTION	FR	FIRE RESISTANT	PNL	PANEL	W	WITH
CONSTR	CONSTRUCTION	FR	FIRE RESISTANT	PNT	PAIN, PAINTED	W/O	WITHOUT
CONT	CONTINUOUS	FR	FIRE RESISTANT	POL	POLISHED	W/O	WITHOUT
CONTR	CONTRACTOR	FR	FIRE RESISTANT	PR	PAIR	W/O	WITHOUT
COORD	COORDINATE	FR	FIRE RESISTANT	PREFAB	PRE-FABRICATED	W/O	WITHOUT
CORR	CORROSION	FR	FIRE RESISTANT	PRD	PRODUCT	W/O	WITHOUT
CPT	CARPET	FR	FIRE RESISTANT	PRD	PRODUCT	W/O	WITHOUT
CS	CORNER SINK	FR	FIRE RESISTANT	PRD	PRODUCT	W/O	WITHOUT
CS	CORNER SINK	FR	FIRE RESISTANT	PRD	PRODUCT	W/O	WITHOUT
CT	CERAMIC TILE	FR	FIRE RESISTANT	PRD	PRODUCT	W/O	WITHOUT
CTR	CENTER	FR	FIRE RESISTANT	PRD	PRODUCT	W/O	WITHOUT
CTSK	COUNTERSINK	FR	FIRE RESISTANT	PRD	PRODUCT	W/O	WITHOUT
CW	COLD WATER, CURTAIN WALL	FR	FIRE RESISTANT	PRD	PRODUCT	W/O	WITHOUT
D	DEEP, DEPTH	FR	FIRE RESISTANT	PRD	PRODUCT	W/O	WITHOUT
DAL	DOUBLE	FR	FIRE RESISTANT	PRD	PRODUCT	W/O	WITHOUT
DIG	DIGREE	FR	FIRE RESISTANT	PRD	PRODUCT	W/O	WITHOUT
DEMOL	DEMOLITION, DEMOLITION	FR	FIRE RESISTANT	PRD	PRODUCT	W/O	WITHOUT
DEPT	DEPARTMENT	FR	FIRE RESISTANT	PRD	PRODUCT	W/O	WITHOUT
DF	DRINKING FOUNTAIN	FR	FIRE RESISTANT	PRD	PRODUCT	W/O	WITHOUT
DIA	DIAMETER	FR	FIRE RESISTANT	PRD	PRODUCT	W/O	WITHOUT
DIF	DIFFUSER	FR	FIRE RESISTANT	PRD	PRODUCT	W/O	WITHOUT
DM	DIMENSION	FR	FIRE RESISTANT	PRD	PRODUCT	W/O	WITHOUT
DMS	DIMENSIONS	FR	FIRE RESISTANT	PRD	PRODUCT	W/O	WITHOUT
DSP	DISPENSER	FR	FIRE RESISTANT	PRD	PRODUCT	W/O	WITHOUT
DIV	DIVISION	FR	FIRE RESISTANT	PRD	PRODUCT	W/O	WITHOUT
DMPF	DAMP PROOFING	FR	FIRE RESISTANT	PRD	PRODUCT	W/O	WITHOUT
DN	DOWN	FR	FIRE RESISTANT	PRD	PRODUCT	W/O	WITHOUT
DO	DOOR OPENING	FR	FIRE RESISTANT	PRD	PRODUCT	W/O	WITHOUT
DR	DR	FR	FIRE RESISTANT	PRD	PRODUCT	W/O	WITHOUT
DRN	DRAIN	FR	FIRE RESISTANT	PRD	PRODUCT	W/O	WITHOUT
DRS	DRYWALL	FR	FIRE RESISTANT	PRD	PRODUCT	W/O	WITHOUT
DTL	DITAIL	FR	FIRE RESISTANT	PRD	PRODUCT	W/O	WITHOUT
DW	DISHWASHER	FR	FIRE RESISTANT	PRD	PRODUCT	W/O	WITHOUT
DWG	DRAWING	FR	FIRE RESISTANT	PRD	PRODUCT	W/O	WITHOUT
DWMS	DRYWALL METAL STUD	FR	FIRE RESISTANT	PRD	PRODUCT	W/O	WITHOUT
DWR	DRAWER	FR	FIRE RESISTANT	PRD	PRODUCT	W/O	WITHOUT
E	EAST	FR	FIRE RESISTANT	PRD	PRODUCT	W/O	WITHOUT

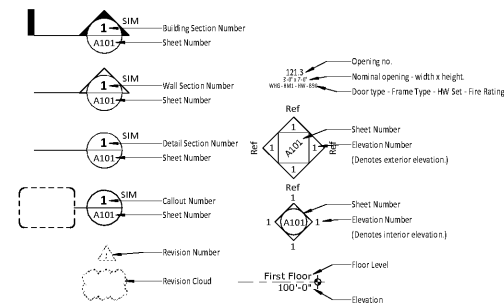


LIFE SAFETY INFORMATION

BUILDING INFORMATION:
PROJECT NAME: CENTER PARK RESTROOM FACILITIES AND SHADE PAVILLION
ADDRESS: 103 E CHURCH ST, CENTERVILLE, GA 31028
USE: ACCESSORY TO ASSEMBLY SPACE
OWNER: CITY OF CENTERVILLE

CODE ANALYSIS:

- APPLICABLE CODES:
 - NFPA 101: LIFE SAFETY CODE (2012)
 - RULES AND REGULATIONS FOR THE STATE MINIMUM FIRE SAFETY, CH 120-3-20
 - MODIFICATIONS (2016)
 - GEORGIA ACCESSIBILITY CODE FOR BUILDINGS AND FACILITIES, (GAC) - CH 120-3-20(1097)
 - INTERNATIONAL FIRE CODE (IFC) (2012)
 - INTERNATIONAL BUILDING CODE (IBC) (2012)
 - NFPA 99 (2002) HEALTH CARE FACILITIES
- OCCUPANCY TYPE:
 - ASSEMBLY GROUP A (LSC 6.1.1)
- BUILDING AREA:
 - ALLOWABLE: 2 STORIES @ 8,500 SF (IBC TABLE 503)
 - ACTUAL: 1 STORY @ 4,454 SF
- HOURLY FIRE RATINGS (IBC TABLE 601, IBC TABLE A.8.2.1):
 - STRUCTURAL FRAME: 0 HOURS
 - BEARING WALLS, EXT.: 0 HOURS
 - BEARING WALLS, INT.: 0 HOURS
 - NON-BEARING WALLS, INT.: 0 HOURS
 - FLOOR CONSTRUCTION: 0 HOURS
 - ROOF CONSTRUCTION: 0 HOURS
- FIRE SUPPRESSION SYSTEM:
 - PORTABLE FIRE EXTINGUISHERS
- CONSTRUCTION IN AREA:
 - 1 STORY @ 4,454 SF TOTAL
- FIRE SAFETY CONCEPTS:
 - NEW SINGLE STORY BUILDING WITH NON-COMBUSTIBLE CONSTRUCTION AND PORTABLE FIRE EXTINGUISHERS
- OTHER LIFE SAFETY CONSIDERATIONS (MOST STRINGENT OF APPLICABLE CODES GOVERNS):
 - DEAD END (IBC 1012.3) - 20 FEET
 - IBC TABLE 7.5.1 ALLOWS 50', THEREFORE IBC 207 LIMITATION GOVERNS
- TRAVEL DISTANCE (IBC TABLE 1012.3) - 200 FEET ALLOWABLE:
 - IBC TABLE 7.5.1 ALLOWS 200' FROM ANY POINT IN A ROOM TO EXIT
 - MAXIMUM ACTUAL EXIT DISTANCE = 28'-4"
- INTERIOR FINISH:
 - INTERIOR WALL AND CEILING FINISH (IBC TABLE 803.5, IBC 308.3.3.1)
 - INTERIOR WALL AND CEILING FINISH COMPLYING WITH 102.3 SHALL BE AT A MINIMUM REQUIREMENT CLASS A IN EXIT ENCLOSURES AND PASSAGEWAYS, CLASS B IN CORRIDORS, AND CLASS C IN OFFICE AREAS.
- INTERIOR FLOOR FINISH (IBC 804.1) - CLASS II



Symbol Legend

1/2" = 1'-0"

LIFE SAFETY INFORMATION

3/8" = 1'-0"

SHEET LIST

Sheet Number	Sheet Name	Sheet Issue Date
001	COVER SHEET	11/04/19
002	DEMOLITION PLAN	11/04/19
003	GRADING PLAN	11/04/19
004	UTILITY PLAN	11/04/19
005	SCHEMATIC & MARKING PLAN	11/04/19
006	SOIL EROSION CONTROL PLAN INITIAL PHASE	11/04/19
007	SOIL EROSION CONTROL PLAN FINAL PHASE	11/04/19
008	SOIL EROSION CONTROL NOTES	11/04/19
009	SOIL EROSION CONTROL NOTES	11/04/19
010	SOIL EROSION CONTROL NOTES	11/04/19
011	SOIL EROSION CONTROL NOTES	11/04/19
012	SOIL EROSION CONTROL CHECKLIST	11/04/19
013	DETAIL SHEET	11/04/19
Structure		
S0.0	GENERAL NOTES	11/04/19
S2.0	RESTROOM FACILITY PLANS & DETAILS	11/04/19
S3.1	FRAMING DETAILS	11/04/19
S3.0	SHADE CANOPY PLANS & DETAILS	11/04/19
S3.1	FRAMING DETAILS	11/04/19
Architecture		
A1	IRRIGATION PLAN	11/04/19
A1	LANDSCAPE PLAN	11/04/19
Architecture		
A1-1	RESTROOM FACILITIES FLOOR PLAN & ELEVATIONS	11/04/19
A1-2	PAVILLION PLAN ELEVATIONS AND SECTIONS	11/04/19
A2.3	DOOR SCHEDULE, DETAILS, WINDOW SCHEDULE & DETAILS	11/04/19
A3.1	RESTROOM BUILDING & WALL SECTIONS	11/04/19
A3.2	PAVILLION & ROOF DETAILS	11/04/19
A5.1	INTERIOR ELEVATIONS	11/04/19
A6.1	REFLECTED CEILING PLAN & FINISH PLAN	11/04/19
A9.1	VENDOR DESIGN AND SPECIFICATIONS	11/04/19
Mechanical		
M0-1	MECHANICAL DETAILS, & SPECIFICATIONS	11/04/19
M0-2	RESTROOM FACILITY & SHADE PAVILLION MECHANICAL PLAN & SCHEDULES	11/04/19
Plumbing		
P0-1	PLUMBING SPECIFICATIONS & SCHEDULES	11/04/19
P1-1	RESTROOM FACILITY & SHADE PAVILLION PLUMBING PLANS - SEWER	11/04/19
P1-2	RESTROOM FACILITY & SHADE PAVILLION PLUMBING PLANS - WATER	11/04/19
Electrical		
E1	ELECTRICAL LEGEND, SCHEDULES AND DETAILS	11/04/19
E2	FLOOR PLAN - LIGHTING	11/04/19
E3	FLOOR PLAN - POWER & SYSTEMS	11/04/19
E4	SITE PLAN - ELECTRICAL	11/04/19

CONTACT INFORMATION

CIVIL
SAUNDERS ENGINEERING CONSULTANTS, INC
104-C GUNN RD
CENTERVILLE, GA 31028
478-953-1228
CONTACT: RICK SAUNDERS

MECHANICAL
TOTAL ENGINEERS
169 NEW ST
MACON GA, 31201
478-741-4632
CONTACT: KRUNAL PATEL

STRUCTURAL
PI TECH, INC.
ADDRESS
169 NEW ST
MACON GA, 31201
478-741-4632
CONTACT: CLAIR DENT

PLUMBING
TOTAL ENGINEER
169 NEW ST
MACON GA, 31201
478-741-4632
CONTACT: JEREMY KEYSER

ARCHITECTURAL
WM2A ARCHITECTS
348 COTTON AVENUE SUITE 500
MACON, GEORGIA 31201
478-745-4945
CONTACT: DAVID SELBY

ELECTRICAL
ELECTRICAL DESIGN CONSULTANTS, INC
175 NEW ST SUITE 1
MACON, GA, 31201
478-781-1883
CONTACT: JEFF MCGEE

COVER SHEET

Drawing Number:

Project Number: 2018-077

Drawing Name:

Project Number: 2018-077

Drawing Name:

GO-0