

# KEH-1 CANOPY GRIDDLE HOOD

## HOOD INFORMATION

MODEL	LENGTH	MAX. COOKING TEMP.	TOTAL EXH. CFM	WIDTH	LENG.	HEIGHT	EXHAUST RISER DIA.	PLENUM DIA.	RISER VEL.	S.P.	TOTAL SUPPLY CFM	HOOD CONSTRUCTION	HOOD CONFIG.
5424	5' 0"	600 Deg.	1000	16"	16"	4"	10"	1000	1833	-0.383"	750	430 SS Where Exposed	ALONE ALONE

VERIFY CEILING HEIGHT

Height required to verify that the hood will fit and to size the enclosure panels.

## HOOD OPTIONS

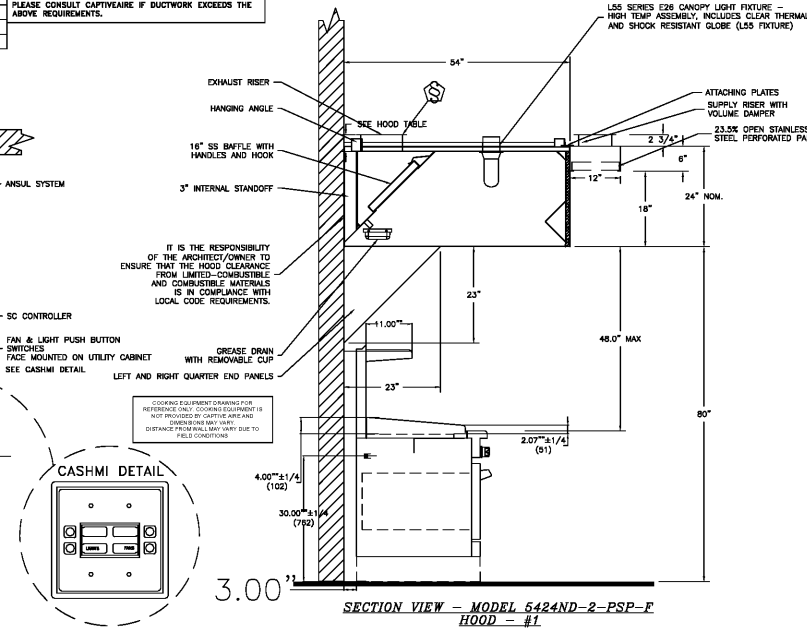
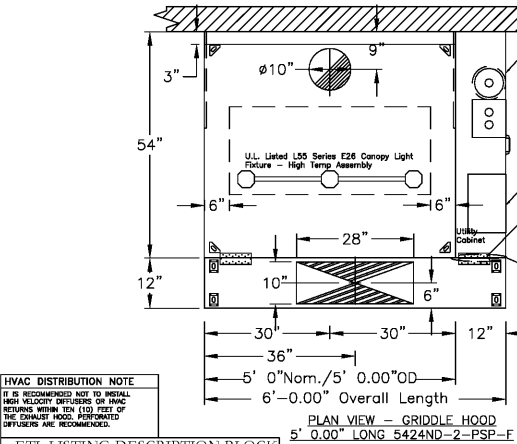
TYPE	QTY.	HEIGHT	LENGTH	EFFICIENCY @ 7 MICRONS	QTY.	TYPE	WIRE GUARD	LOCATION	SIZE	TYPE	SIZE	ELECTRICAL	SWITCHES	FIRE HOOD SYSTEM	HANGING WEIGHT
SS Baffle with Handles	3	16"	16"	30%	3	L55 Series E26	NO	Right	12"x54"x24"	Ansul R102	3.0	SC-111110FP	1 Light 1 Fan	YES	476 LBS

## PERFORATED SUPPLY PLENUM(S)

POS.	LENGTH	WIDTH	HEIGHT	TYPE	WIDTH	LENG.	DIA.	CFM	S.P.
Front	72"	12"	6"	MUA	10"	28"	750	0.204"	

## NOTE:

EXHAUST FAN IS SIZED FOR A MAXIMUM OF (3) 90 DEGREE ELBOWS AND 20 FT OF STRAIGHT DUCTWORK. PLEASE CONSULT CAPTIVEAIR IF DUCTWORK EXCEEDS THE ABOVE REQUIREMENTS.



HVAC DISTRIBUTION NOTE  
IT IS RECOMMENDED NOT TO INSTALL HIGH VELOCITY DIFFUSERS OR HVAC RETURN GRILLS WITHIN TEN (10) FEET OF THE EXHAUST HOOD PERFORMED DIFFUSERS ARE RECOMMENDED.

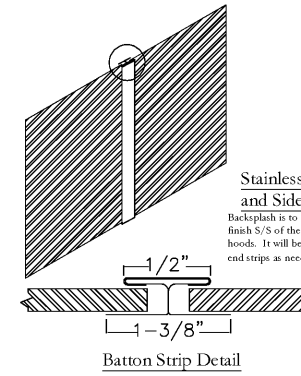
ETL LISTING DESCRIPTION BLOCK THE CAPTIVE AIRE MODEL ND-2 HAS BEEN U.L. 710 TESTED, LISTED, AND APPROVED TO EXHAUST A MINIMUM OF 200 CFM PER LINEAR FOOT OVER 600 DEGREE COOKING EQUIPMENT

HANGING ANGLE DETAIL



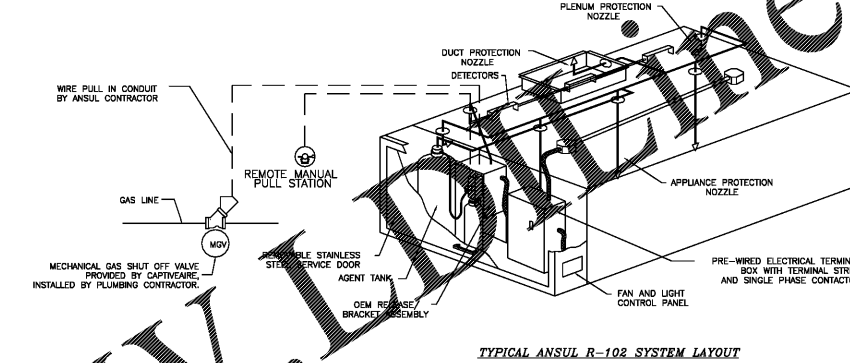
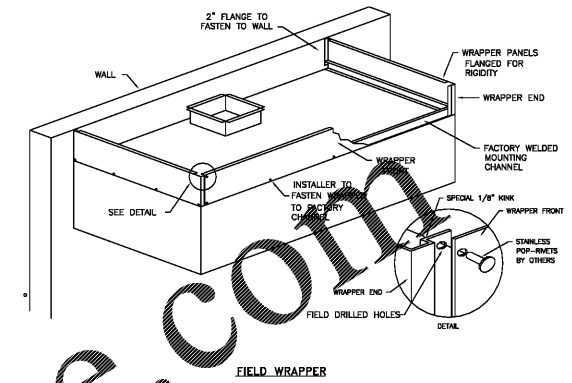
JOB	Jersey Mike's Subs
LOCATION	High Point, NC
DATE	11/4/19
JOB #	4046725
DWG #	1
DRAWN BY	DL-32
REV.	1
SCALE	Not To Scale

# KEH-1 FIRE SYSTEM/INSTALLATION DETAILS



## Stainless Steel Backsplash and Sidesplash

Backsplash is to be manufactured from #3 or #4 finish 1/8" of the same gauge and material as the hoods. It will be supplied with Batton strips and end strips as needed to close all seams and edges.

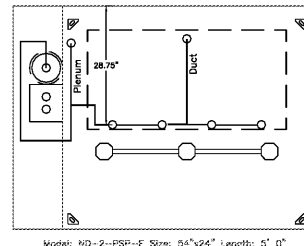


VERIFY GAS VALVE SIZE



JOB	Jersey Mike's Subs
LOCATION	High Point, NC
DATE	11/4/19
JOB #	4046725
DWG #	2
DRAWN BY	DL-32
REV.	1
SCALE	Not To Scale

# KEH-1 FIRE SYSTEM/INSTALLATION DETAILS

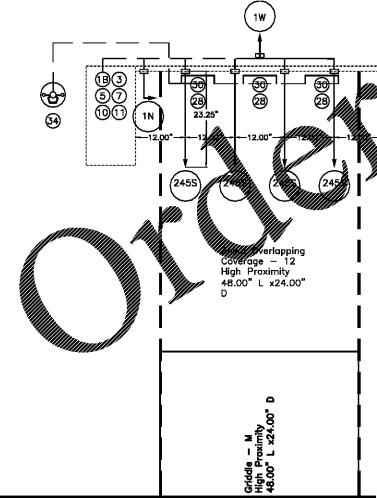


- NOTES
- FIELD PIPE DROPS AS SHOWN
  - SLEEVING, ELBOWS, TEES, AND NOZZLES SUPPLIED BY CAPTIVEAIR
  - RELOCATE NOZZLES IF FLOW PATTERN IS BLOCKED BY SHELVING, SALAMANDERS, ETC.
  - MAXIMUM 9 ELBOWS IN SUPPLY LINE.
  - MINIMUM 72 INCHES OF AGENT LINE FROM TANK TO FIRST NOZZLE
  - IF APPLICABLE, PRE-PIPED CHARBOLLER DROPS ARE SHIPPED LOOSE.
  - FACTORY PIPING EXTENDS A MAXIMUM OF 6" ABOVE THE TOP OF THE HOOD.
  - APPLIANCE DIMENSIONS LISTED REPRESENT THE COOKING SURFACE SIZE, NOT THE OVERALL APPLIANCE SIZE.
  - THIS FIRE SYSTEM COMPLIES WITH NFPA 96, 300 REQUIREMENTS

Job Name: Jersey Mike's Subs  
 Drawn By: DL-32  
 System Size: ANSUL R-102 Total PIP required: 10'  
 Hood # 1 5' 0.00" Long x 54" Wide x 24" High  
 Riser # 1 5' 0.00" Dia.  
 Nozzle # 1 Metal w-Orn caps included.

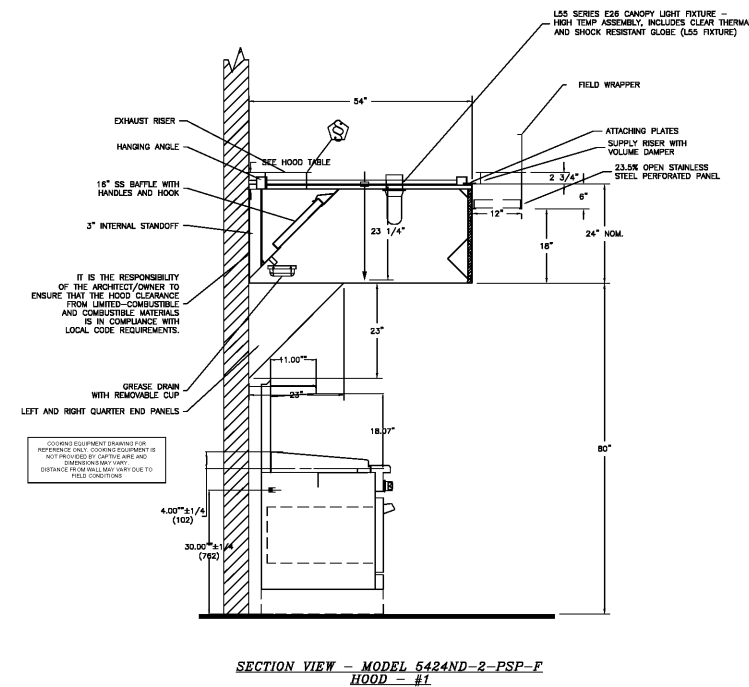
## LEGEND - FIRE SYSTEM ANSUL SYSTEM

- A 3 GAL GASEOUS TANK
- B 3 GAL GASEOUS TANK
- 1 1W NOZZLE ASSEMBLY (419335)
- 1F NOZZLE ASSEMBLY (419335)
- 1N NOZZLE ASSEMBLY (419335)
- 1/2N NOZZLE ASSEMBLY (419334)
- 3N NOZZLE ASSEMBLY (419338)
- 245 NOZZLE ASSEMBLY (419340)
- 230 NOZZLE ASSEMBLY (419339)
- 2120 NOZZLE ASSEMBLY (419345)
- 290 NOZZLE ASSEMBLY (419342)
- 260 NOZZLE ASSEMBLY (419341)
- 28 DETECTOR BRACKET
- 29 LOW TEMP FUSIBLE LINK
- 30 HIGH TEMP FUSIBLE LINK
- MGV MECHANICAL GAS VALVE
- EGV ELECTRICAL GAS VALVE
- 34 REMOTE MANUAL PULL STATION
- S SWIVEL ADAPTOR



JOB	Jersey Mike's Subs
LOCATION	High Point, NC
DATE	11/4/19
JOB #	4046725
DWG #	3
DRAWN BY	DL-32
REV.	1
SCALE	Not To Scale

# KEH-1 ANSUL APPLIANCE PROTECTION DETAILS



SECTION VIEW - MODEL 5424ND-2-PSP-F HOOD - #1

DUCT NOZZLE AND PLENUM SPRAY BAR LOCATION

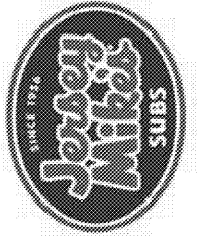


JOB	Jersey Mike's Subs
LOCATION	High Point, NC
DATE	11/4/19
JOB #	4046725
DWG #	4
DRAWN BY	DL-32
REV.	1
SCALE	Not To Scale



Key Group Consulting Engineers, Inc.  
 1827 Powers Ferry Road  
 Building 20, Suite 100  
 Atlanta, Georgia 30329  
 Tel: (770) 953-1443  
 Fax: (770) 953-9538

THE CONTENTS OF THIS DRAWING WILL REMAIN THE PROPERTY OF THOMAS F. TEDROW, AIA. ITS CONTENTS, INCLUDING ALL INFORMATION, SHALL NOT BE REPRODUCED USING ANY MEANS WITHOUT EXPRESS WRITTEN CONSENT AND/OR PERMISSION FROM THOMAS F. TEDROW, AIA.



THOMAS F. TEDROW, AIA

ARCHITECT  
 2866 ADAMS BROOKWAY  
 SHELBYVILLE, GA 30078  
 PH: 678 678 777 9548  
 E-MAIL: tom.tedrow@tedrowaia.com

JERSEY MIKE'S  
 THE PALLADIUM SHOPPING CENTER  
 4117 BRIAN JORDAN PLACE  
 HIGH POINT, NC 27265



ARCHITECT/ENGINEER STAMP

REV. NO.	DATE	DESCRIPTION

PROJECT NO. JMW-C-200  
 DRAWN BY: SW  
 CHECKED BY: KM  
 ISSUE DATE: 11/04/19

HOOD AND FAN DETAILS-1

H1.02