

THE CONTENTS OF THIS DRAWING WILL REMAIN THE PROPERTY OF THOMAS F. TEDROW, AIA. ITS CONTENTS, INCLUDING ALL INFORMATION SHALL NOT BE REPRODUCED USING ANY MEANS WITHOUT EXPRESSED WRITTEN CONSENT AND/OR PERMISSION FROM THOMAS F. TEDROW, AIA.



THOMAS F. TEDROW, AIA
ARCHITECT
2866 ADAMS BROOK WAY
SNELLVILLE, GA 30078
PH. 678.777.5648
E-MAIL: tom.tedrow@tedrowdesign.com

JERSEY MIKE'S
THE PALLADIUM SHOPPING CENTER
4117 BRIAN JORDAN PLACE
HIGH POINT, NC 27265



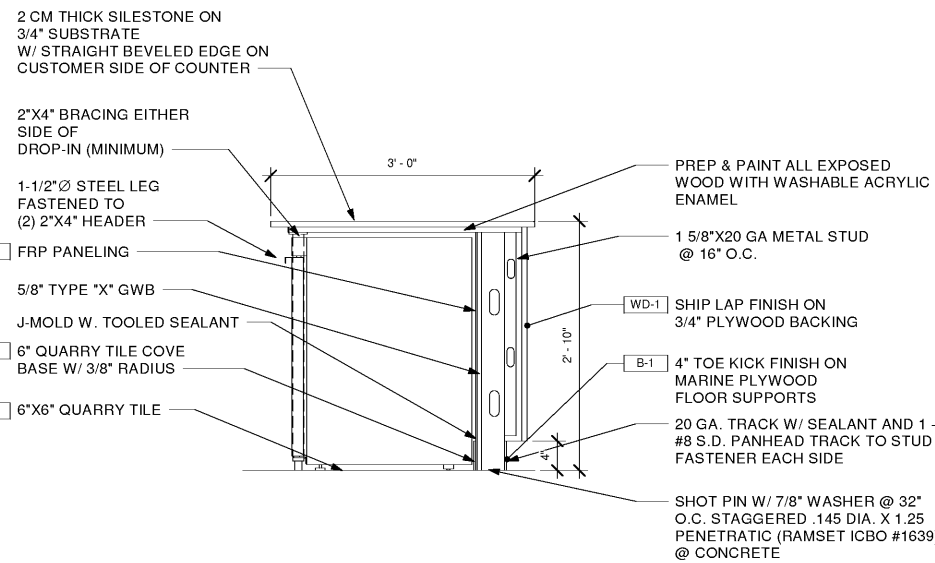
ARCHITECT/ENGINEER STAMP

REV. NO.	DATE	DESCRIPTION

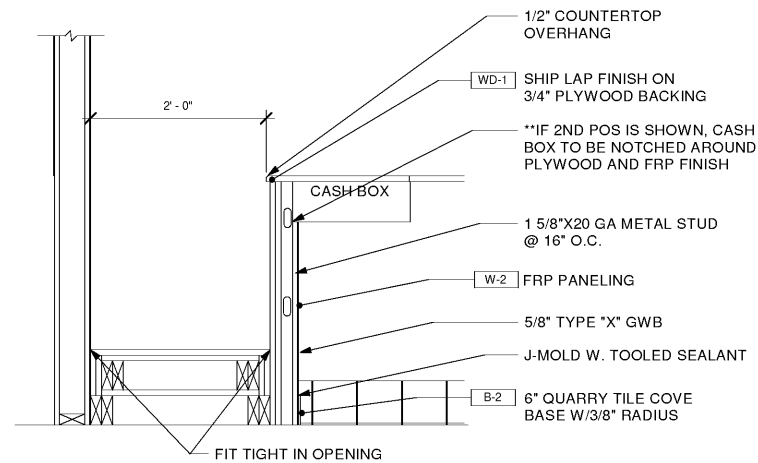
PROJECT NO. JMMC-200
DRAWN BY: KRR
CHECKED BY: TFT
ISSUE DATE: 11/06/19

MILLWORK DETAILS

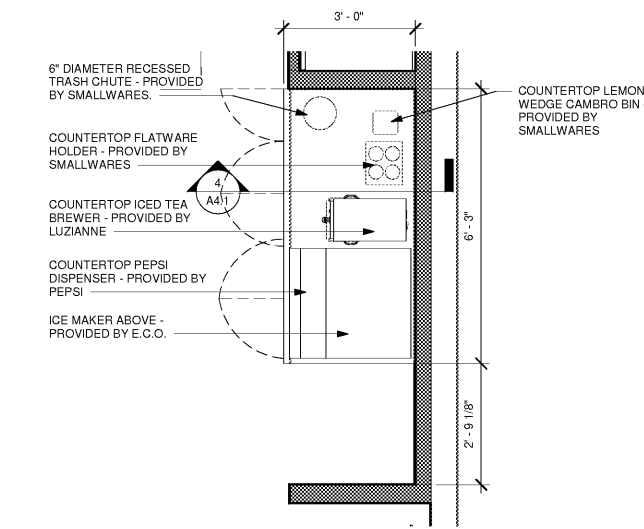
A4.1



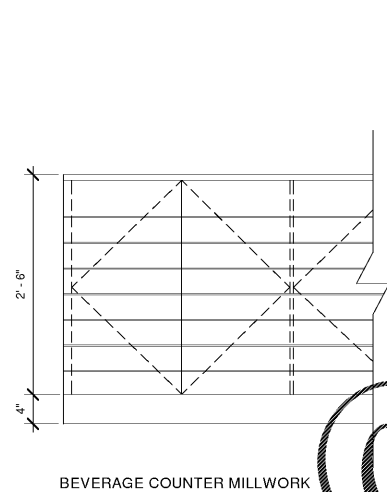
1 SECTION @ UNDER COUNTER REFRIGERATOR AT FRONT LINE
A4.1 1" = 1'-0"



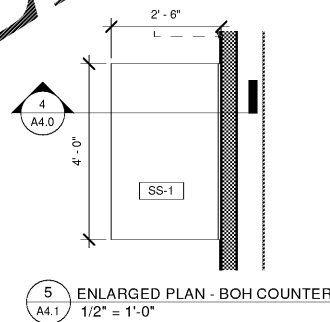
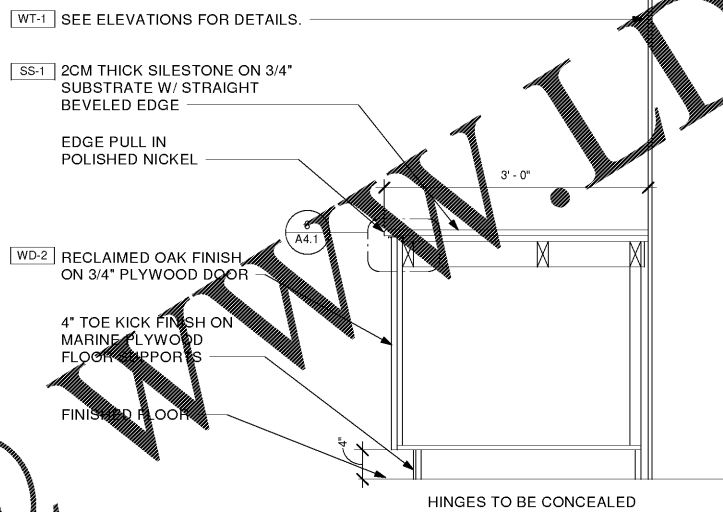
2 SECTION @ 2ND POS SERVICE COUNTER
A4.1 1" = 1'-0"



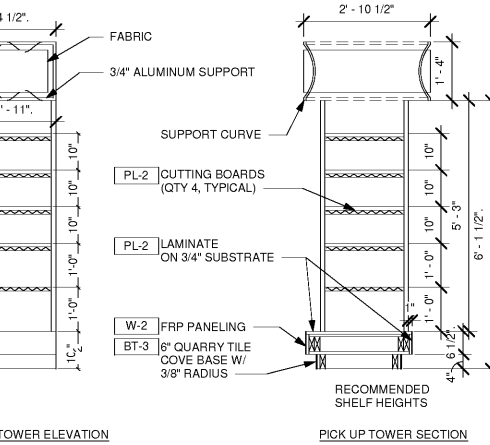
3 ENLARGED BEVERAGE COUNTER
A4.1 1/2" = 1'-0"



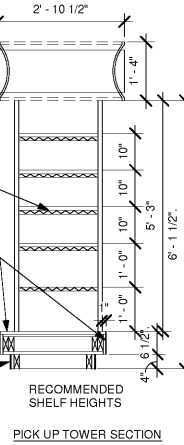
4 SECTION @ BEVERAGE COUNTER MILLWORK
A4.1 1" = 1'-0"



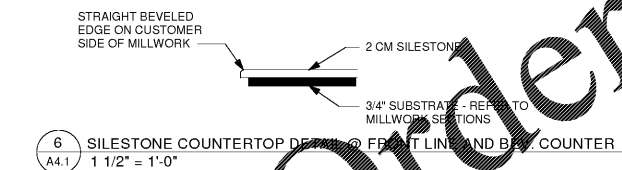
5 ENLARGED PLAN - BOH COUNTER
A4.1 1/2" = 1'-0"



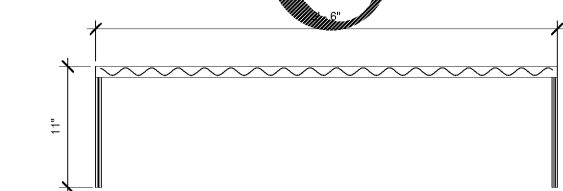
PICK UP TOWER ELEVATION



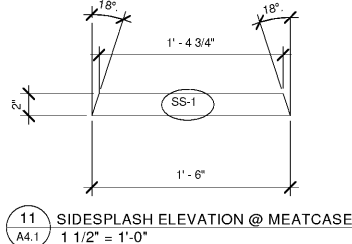
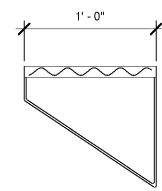
PICK UP TOWER SECTION



9 PICK UP TOWER
A4.1 1/2" = 1'-0"



10 JUICE BOTTLE SHELF ELEVATIONS
A4.1 1 1/2" = 1'-0"



11 SIDESPLASH ELEVATION @ MEATCASE
A4.1 1 1/2" = 1'-0"

MILLWORK NOTE:
IF COUNTER DIMENSIONS DIFFER FROM THE ABOVE DRAWINGS, REACH OUT TO CORPORATE TO CONFIRM CUT OUT LOCATIONS

11/15/2019 10:51:10 AM D:\Dorbox (Tedrow Design)\Tedrow Design Team Folder\Jersey Mike's\JMMC-200_HighPoint, NC - Rodger\Revit\JMMC-102_HighPoint, NC 10-12-19.rvt

Order Plans @ www.LDILine.com